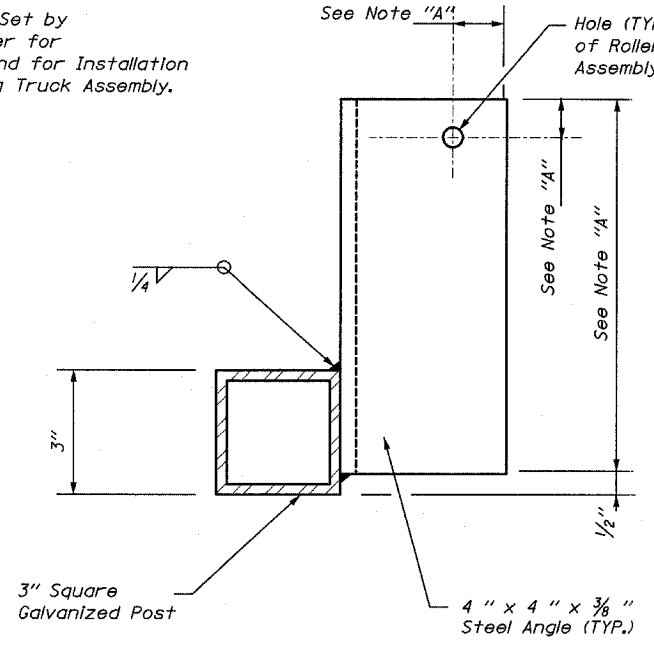
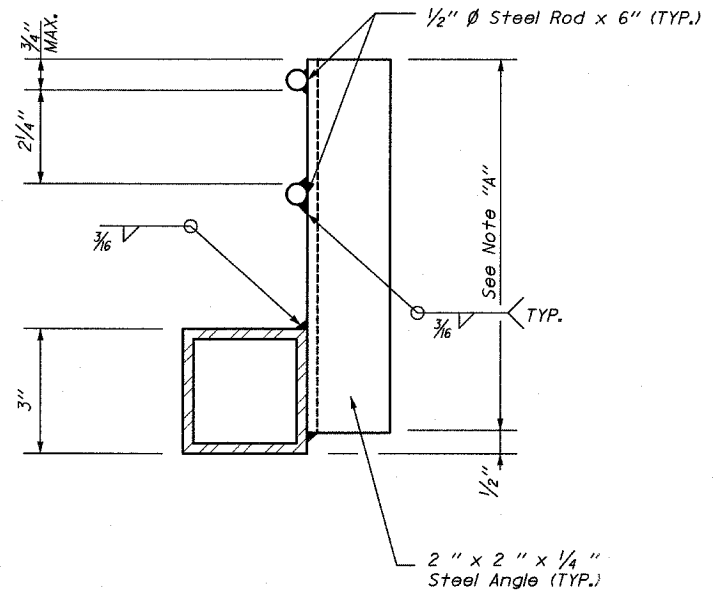


ELEVATION



SECTION 4-4



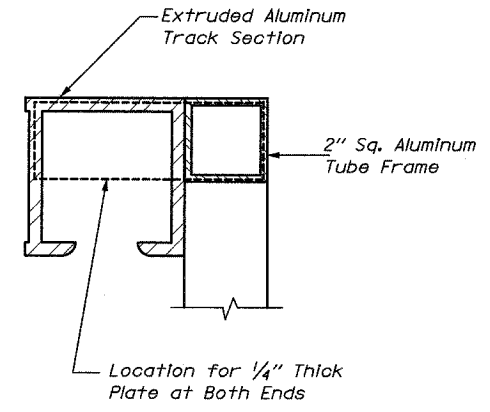
SECTION 5-5

DETAIL A

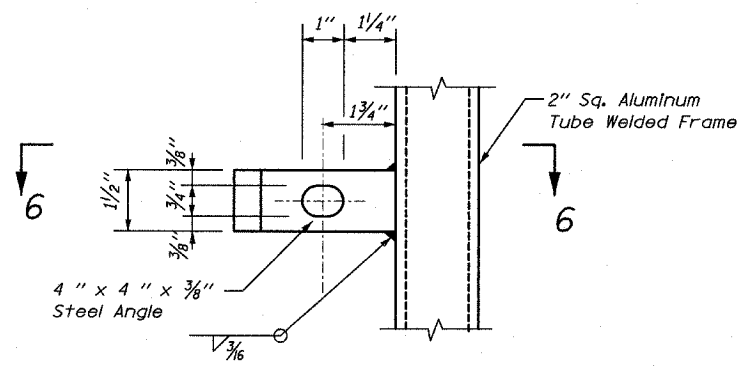
For Overhang Post - As Shown
For Gate Post "A" - Opposite Hand

NOTE "A": The Manufacturer of the Sliding Gate Shall Determine the Length of Angles and Location of Hole for Installation of Roller Bearing Truck Assembly.

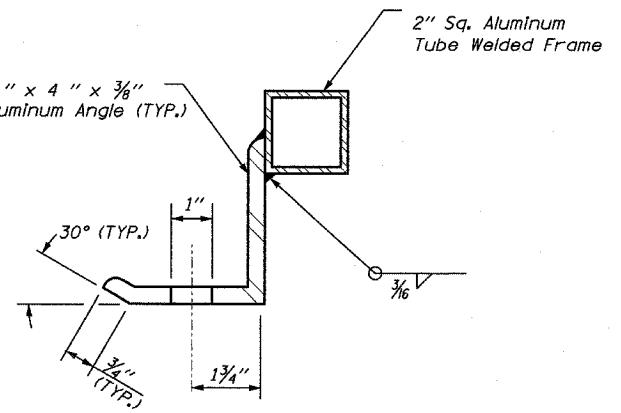
NOTE: The Slide Gates Shall be of the Cantilevered Type with no Track or Support Across the Opening.



SECTION 8-8



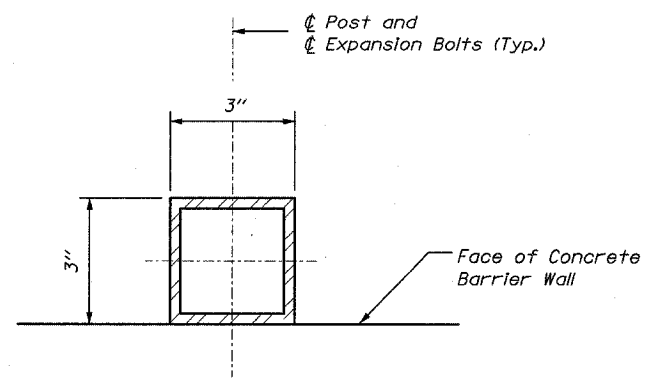
ELEVATION



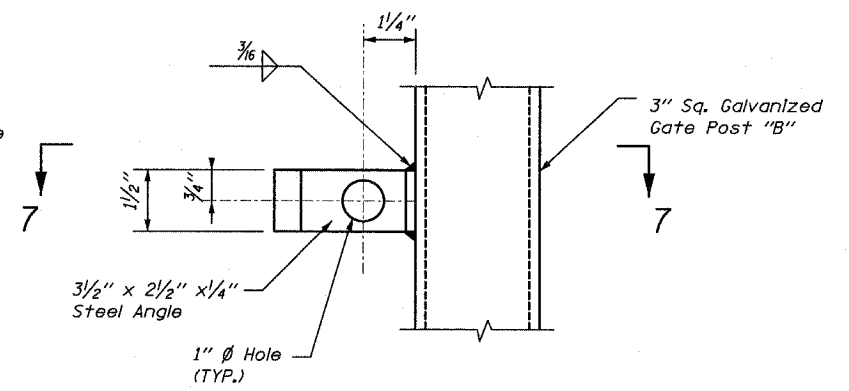
SECTION 6-6

DETAIL B

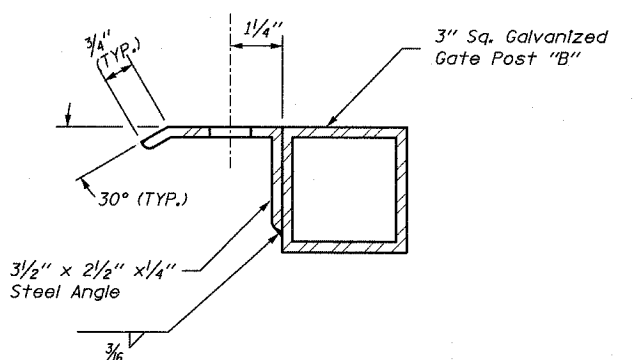
NOTE "A": The Manufacturer of the Sliding Gate Shall Set the Angle Based on the Size of the Track Frame



GATE AND OVERHANG POST SECTION



ELEVATION



SECTION 7-7

DETAIL C

REVISIONS	
NAME	DATE