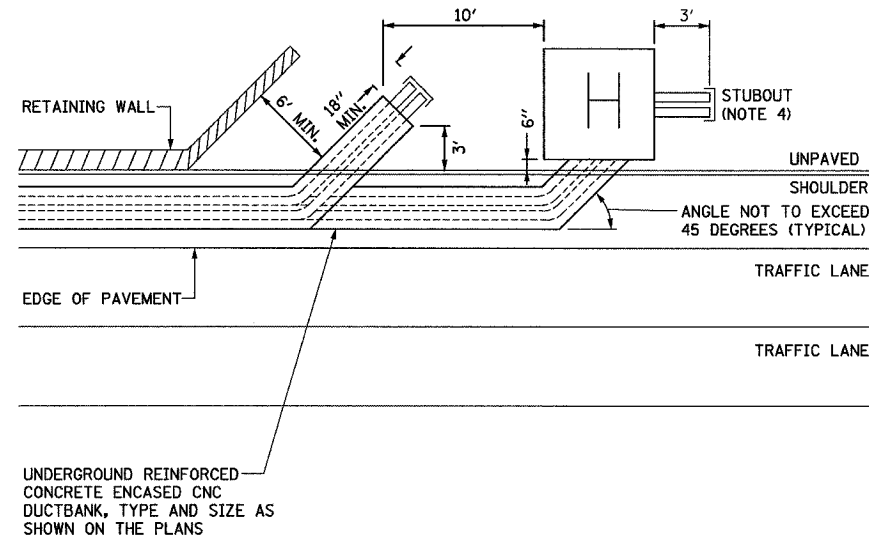


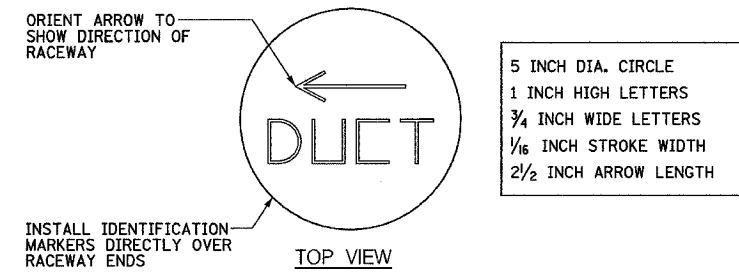
F.A.I. RTE.	SECTION	COUNTY	TOTAL SHEETS	SHEET NO.
94	1818 R-3	COOK	265	175
STA.		TO STA.		
FED. ROAD DIST. NO.		ILLINOIS FED. AID PROJECT		

60B17



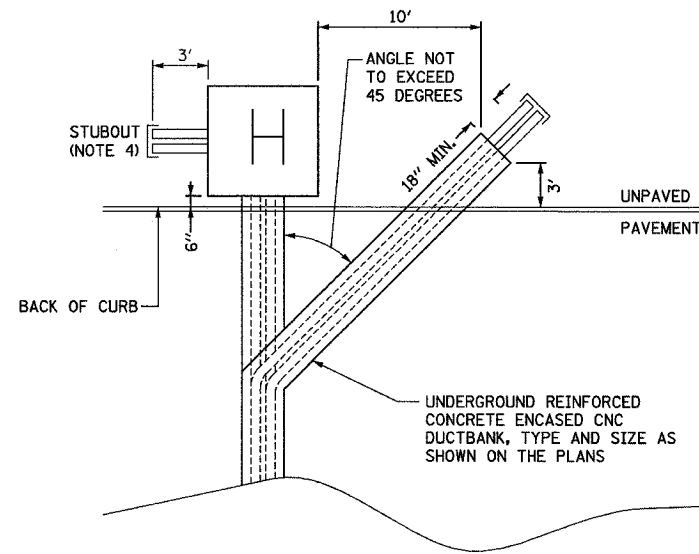
**DUCTBANK INSTALLATION DETAIL ALONG RETAINING WALL**

NOT TO SCALE



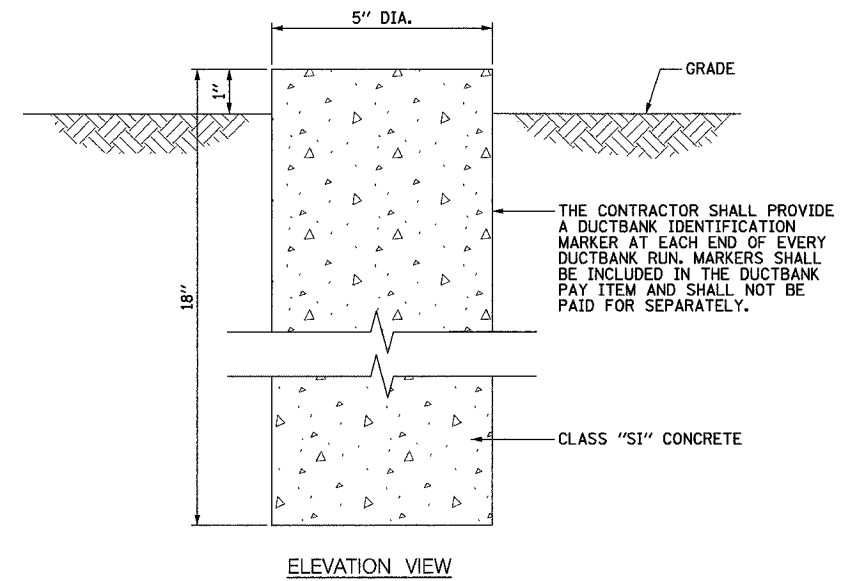
**DUCTBANK IDENTIFICATION MARKER DETAIL**

SCALE: 3" = 1'-0"



**DUCTBANK INSTALLATION DETAIL UNDER PAVEMENT**

NOT TO SCALE



**ELEVATION VIEW**

**NOTES:**

- SEE DRAWINGS 20C/EI-100 AND 20C/EI-101 FOR ELECTRICAL SYMBOLS AND ABBREVIATIONS.
- DIMENSIONS SHOWN ON THIS DRAWING ARE TYPICAL FOR MOST INSTALLATIONS. DIMENSIONS AND/OR STATIONS SPECIFIED ON THE PLANS OR HANDHOLE DETAIL DRAWINGS SHALL SUPERCEDE THE DIMENSIONS SHOWN ON THIS DRAWING.
- SEE DRAWING 20C/EI-102 FOR CONDUIT DUCTBANK DETAILS.
- STUBOUTS SHALL EXTEND 3' FROM HANDHOLE AND BE CAPPED. NUMBER AND SIZE SHALL BE AS SHOWN ON PLANS. STUBOUTS SHALL BE INCLUDED IN HANDHOLE PAY ITEM AND SHALL NOT BE PAID FOR SEPARATELY.
- FOR DETAILS AT SPECIFIC LOCATIONS, SEE "TYPICAL SECTION DETAILS: EXISTING CROSS STREET OVERPASS FOOTINGS".

**SINGH**  
SINGH & ASSOCIATES, INC.  
CONSULTING ENGINEERS

300 W. ADAMS ST.  
CHICAGO, IL 60606  
TEL: (312) 629-0240  
FAX: (312) 629-8449

REVISIONS	
NAME	DATE

ILLINOIS DEPARTMENT OF TRANSPORTATION  
F.A.I. 94 (DAN RYAN EXPRESSWAY)

**ELECTRICAL DUCTBANK DETAILS  
IN SHOULDER AND UNDER PAVEMENT**

SCALE: NOT TO SCALE DRAWN BY: BHP  
DATE: MARCH 7, 2006 CHECKED BY: BMW

3/7/2006 4:44:55 PM J:\715\contract\20c\_details\20c\_6096032.dwg