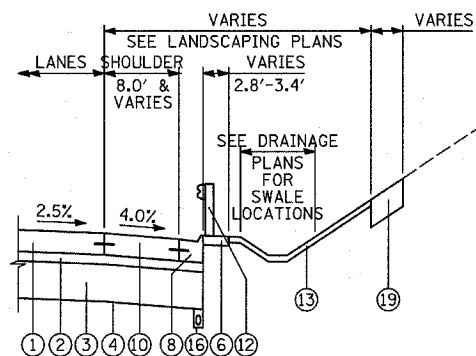
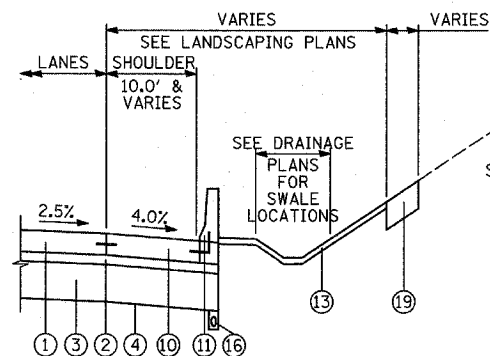


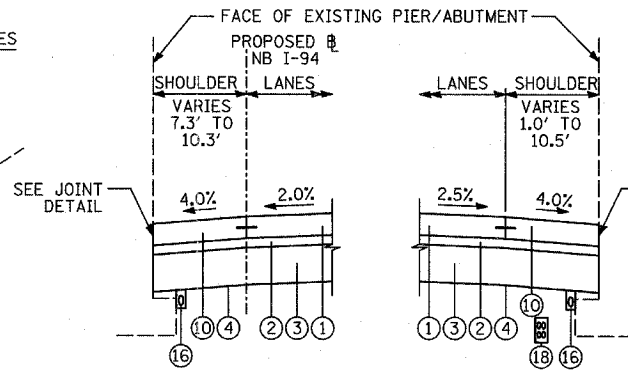
EXISTING NB I-94 MAINLINE PAVEMENT



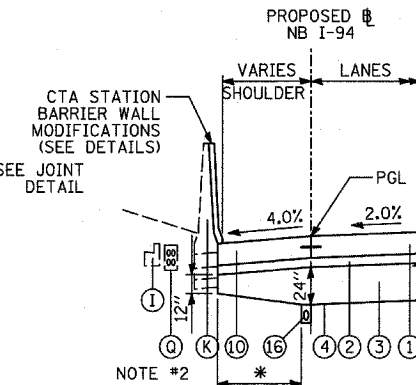
PROPOSED NB I-94 (DAN RYAN EXPWAY)
ALTERNATE EAST PAVEMENT EDGE
TREATMENTS: GUARDRAIL
LOCATIONS VARY - SEE EXISTING/PROPOSED PLANS



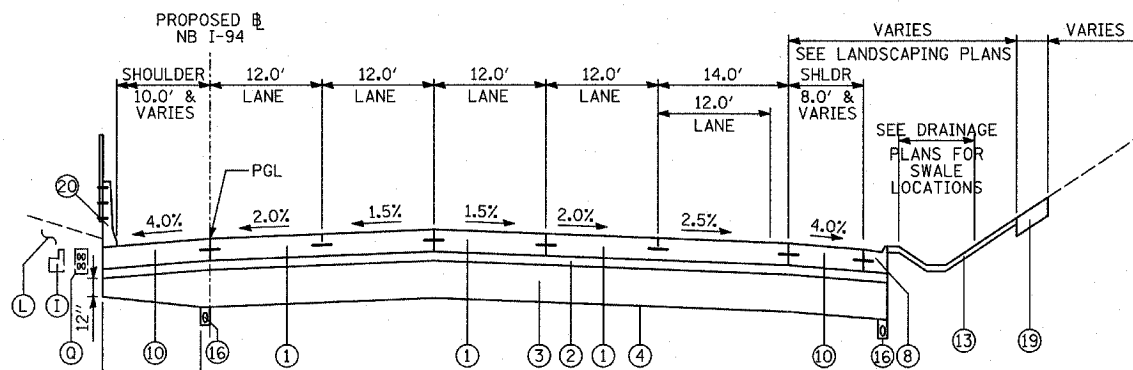
PROPOSED NB I-94 (DAN RYAN EXPWAY)
ALTERNATE EAST PAVEMENT EDGE
TREATMENTS: CONCRETE BARRIER
LOCATIONS VARY - SEE EXISTING/PROPOSED PLANS



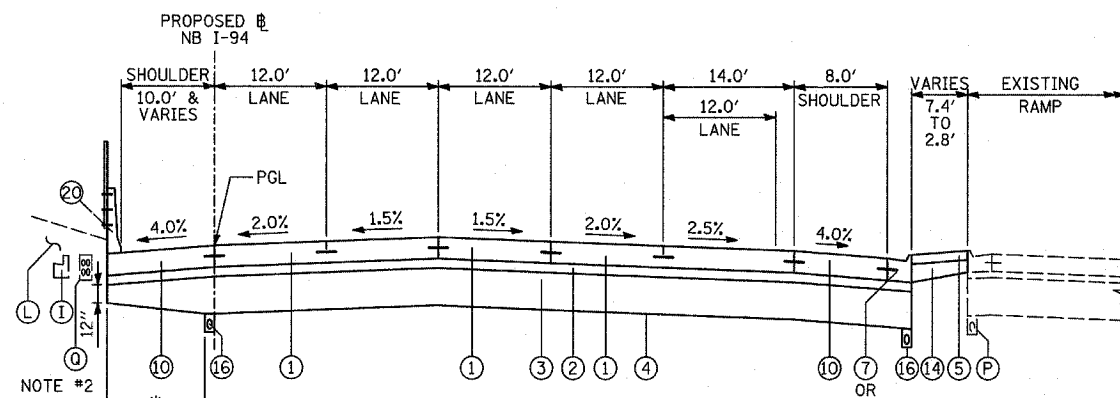
PROPOSED NB I-94 (DAN RYAN EXPWAY)
ALTERNATE PAVEMENT EDGE
TREATMENTS: EXISTING PIER/ABUTMENT
LOCATIONS VARY AT BRIDGES - SEE EXISTING/PROPOSED PLANS FOR LOCATIONS AND CROSS-STREET OVERPASS FOOTING DETAILS FOR ADDITIONAL DETAIL



PROPOSED NB I-94 (DAN RYAN EXPWAY)
ALTERNATE WEST PAVEMENT EDGE
TREATMENTS: CTA BARRIER MODIFICATIONS
ADJACENT TO CTA STATIONS - SEE EXISTING/PROPOSED PLANS



PROPOSED NB I-94 MAINLINE PAVEMENT
LOCATIONS VARY BETWEEN 95TH STREET & 83rd TO 79th STREET C-D RAMPS



PROPOSED NB I-94 MAINLINE PAVEMENT
LOCATIONS VARY (95TH ST. ENTRANCE, 87TH ST. EXIT/ENTRANCE RAMP GORES)

NOTES:

- REFER TO PAVEMENT JOINTING AND ELEVATION PLANS FOR DESCRIPTIONS AND DETAILS OF PAVEMENT JOINTS.
- EXACT LOCATION OF EXISTING FIBER OPTIC DUCT IS UNKNOWN. CONTRACTOR MUST NOTIFY THE CTA TO LOCATE THE DUCT PRIOR TO THE START OF WORK.

* PAID FOR AS SUB-BASE GRANULAR MATERIAL, TYPE B 24"

PROPOSED LEGEND

- CONTINUOUSLY REINFORCED PORTLAND CEMENT CONCRETE PAVEMENT 14"; & PAVEMENT REINFORCEMENT, 14"
- STABILIZED SUB-BASE, 6" (BITUMINOUS AGGREGATE MIXTURE)
- SUB-BASE GRANULAR MATERIAL, TYPE B 24"
- GEOTECHNICAL FABRIC FOR GROUND STABILIZATION
- CONCRETE MEDIAN SURFACE, 6 INCH (SPECIAL)
- CONCRETE MEDIAN SURFACE, 6 INCH (SPECIAL) (WITHOUT STAMPED PATTERN)
- COMBINATION CONCRETE CURB AND GUTTER, TYPE M-2.24
- COMBINATION CONCRETE CURB AND GUTTER, TYPE M-4.24
- COMBINATION CONCRETE CURB AND GUTTER, TYPE M-4.48
- PORTLAND CEMENT CONCRETE SHOULDERS 14"
- CONCRETE BARRIER, SINGLE FACE, 32 INCH HEIGHT; BARRIER BASE; BARRIER WALL MARKERS (PER IDOT STD. 635001 & 635006)
- TRAFFIC BARRIER TERMINAL, TYPE VARIES
- TOPSOIL FURNISH AND PLACE, 4"; SEEDING, CLASS 2A; EROSION CONTROL BLANKET
- AGGREGATE FILL (INCLUDED IN THE COST OF "CONCRETE MEDIAN SURFACE, 6" (SPECIAL)") (MATCH DEPTH TO ADJACENT CURB & GUTTER)
- POLYMERIZED BITUMINOUS CONCRETE SURFACE COURSE, MIX "F", N105, 1 1/4"
- PIPE UNDERDRAIN, 6" (SEE DETAILS)
- POLYMERIZED BITUMINOUS CONCRETE BINDER COURSE, SUPERPAVE, IL-19, N105, 2 1/4"
- ELECTRICAL DUCTBANK (SEE ELECTRICAL INFRASTRUCTURE PLANS)
- TOPSOIL FURNISH AND PLACE, 12"; COMPOST FURNISH AND PLACE 6" EROSION CONTROL BLANKET; SEEDING (SEE PLAN FOR CLASS)
- CONCRETE BARRIER, SINGLE FACE, 42 INCH HEIGHT (SPECIAL); BARRIER BASE; CTA FENCE (SEE DETAILS); BARRIER WALL MARKERS (PER IDOT STD. 635001 & 635006)
- PORTLAND CEMENT CONCRETE PAVEMENT 10" (JOINTED)
- SUB-BASE GRANULAR MATERIAL, TYPE B 12"
- SUB-BASE GRANULAR MATERIAL, TYPE B 6"
- PORTLAND CEMENT CONCRETE SHOULDERS 9"
- BITUMINOUS CONCRETE SURFACE COURSE, SUPERPAVE MIX "D", N70, 1 1/2"
- PORTLAND CEMENT CONCRETE BASE COURSE 13"
- PORTLAND CEMENT CONCRETE PAVEMENT 14" (JOINTED)

EXISTING LEGEND

- ALL EXISTING PAVEMENT DEPTHS ARE FROM AS-BUILT PLANS AND ARE SUBJECT TO CHANGE
- BIT CONC SURFACE COURSE, 1 1/2"±
 - BIT CONC BINDER COURSE, 1 1/2"±
 - BIT CONC BINDER COURSE, 4 3/4"±
 - SUB-BASE GRANULAR MATERIAL, 4"±
 - SUB-BASE GRANULAR MATERIAL, 6"±
 - CRUSHED STONE, 5"±
 - PCC SHOULDERS, 9"±
 - PCC BASE COURSE, 9"±
 - COMB CONC CURB & GUTTER
 - PCC PAVEMENT, 10"± (W/ PAVEMENT FABRIC, 80 LBS±/100 SF)
 - CONCRETE BARRIER WALL
 - CTA BALLAST STONE; REGRADE AS NECESSARY (INCLUDE REGRADING IN THE COST OF "CONCRETE BARRIER, SINGLE FACE, 42 INCH HEIGHT (SPECIAL)")
 - BITUMINOUS SURFACE, 7"±
 - STABILIZED SUB-BASE, 4"±
 - SUB-BASE GRANULAR MATERIAL, 12"±
 - EXISTING PIPE UNDERDRAIN
 - EXISTING FIBER OPTIC DUCT

REVISIONS	
NAME	DATE

ILLINOIS DEPARTMENT OF TRANSPORTATION
F.A.I. 94 (DAN RYAN EXPRESSWAY)
EXISTING & PROPOSED TYPICAL SECTIONS
NB I-94 (DAN RYAN EXPRESSWAY)
(SHEET 5 OF 8)

SCALE: NONE
DATE: MARCH 7, 2006
DRAWN BY: RTM
CHECKED BY: MPG