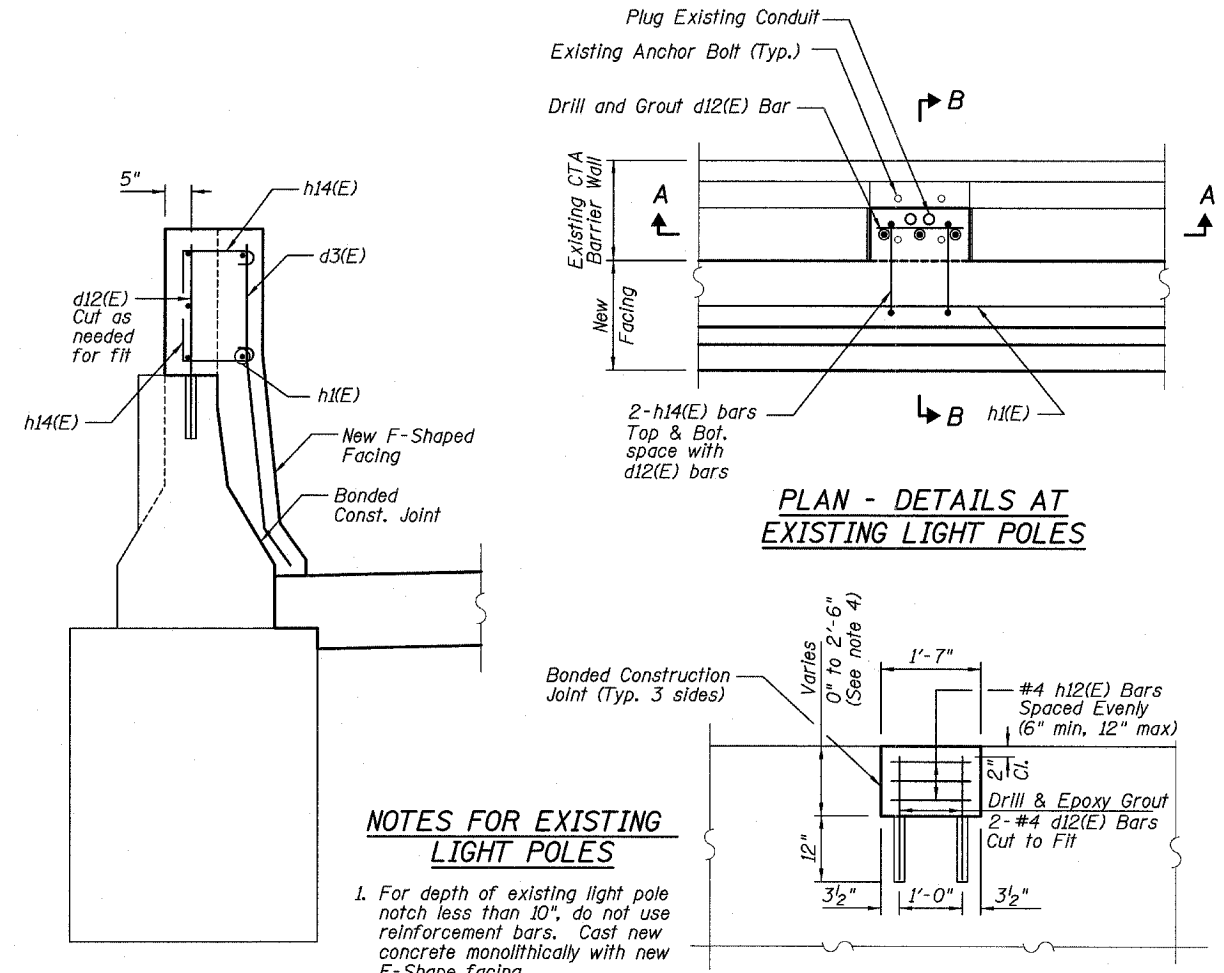


Note A:
See Sheet B2, "Typical Section between Sub-piers"

TYPICAL PLAN

DETAIL A NOTES

Soldier Piles are to be HP 12x53, 12' Long (288 required.) Fy min = 36,000 psi (M270 Grade 36)
Pile locations can be adjusted to miss proposed drainage structures. Maximum pile spacing 8'-0".



SECTION B-B

SECTION A-A

NOTES FOR EXISTING LIGHT POLES

1. For depth of existing light pole notch less than 10", do not use reinforcement bars. Cast new concrete monolithically with new F-Shape facing.
2. Additional reinforcing details for light pole base details shown, for F-Shape Facing details and reinforcement, see Detail 2, Sht B2.

REVISIONS	
NAME	DATE