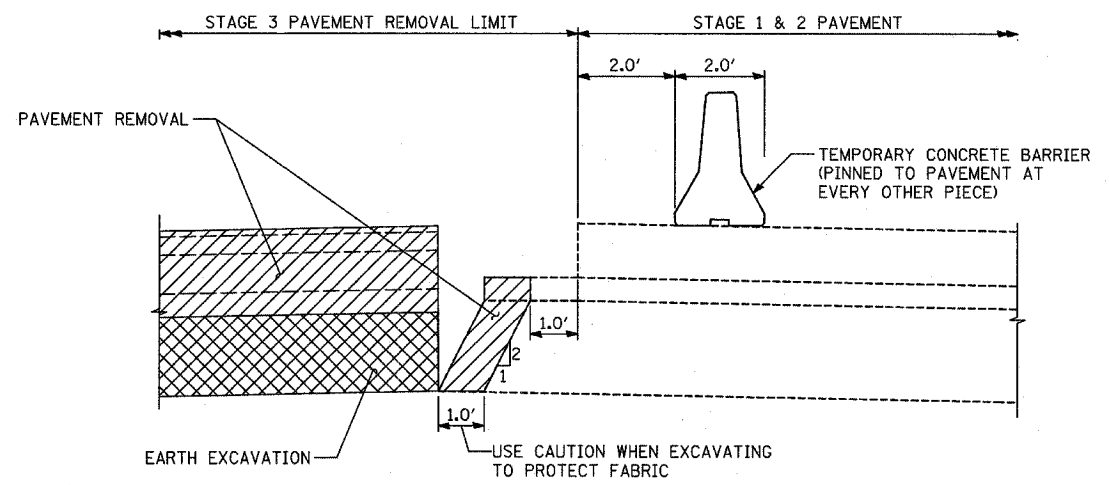
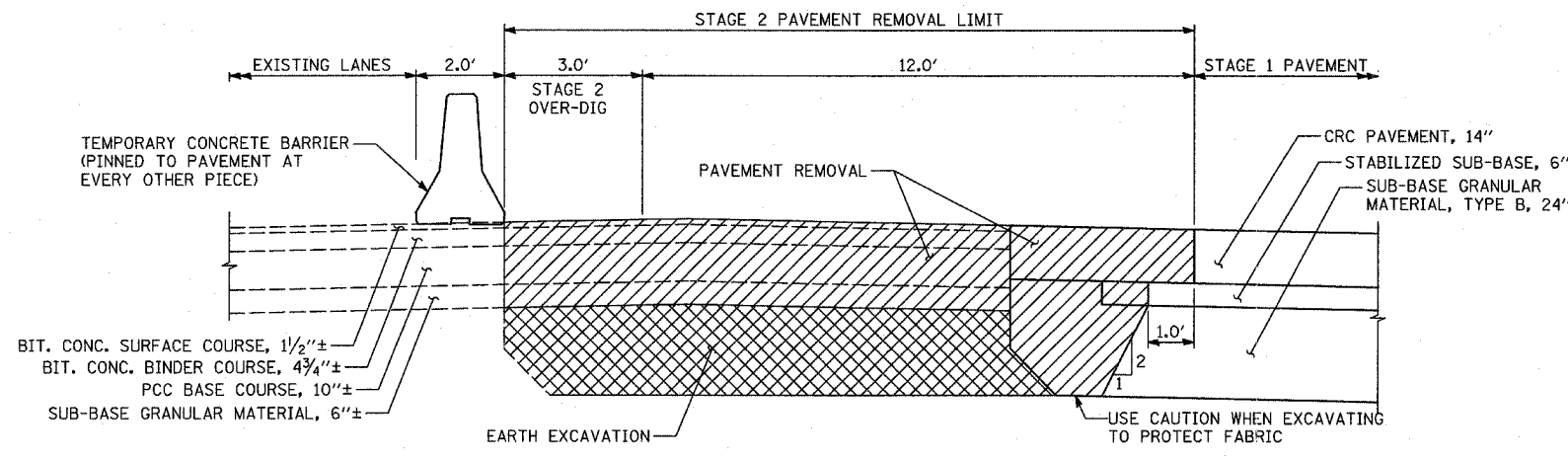


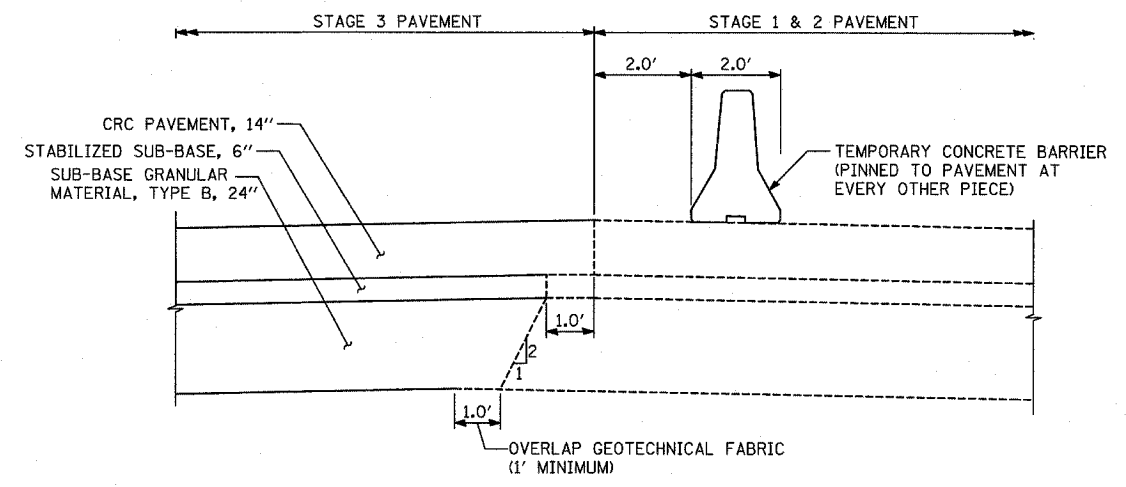
STAGE 1 PAVEMENT



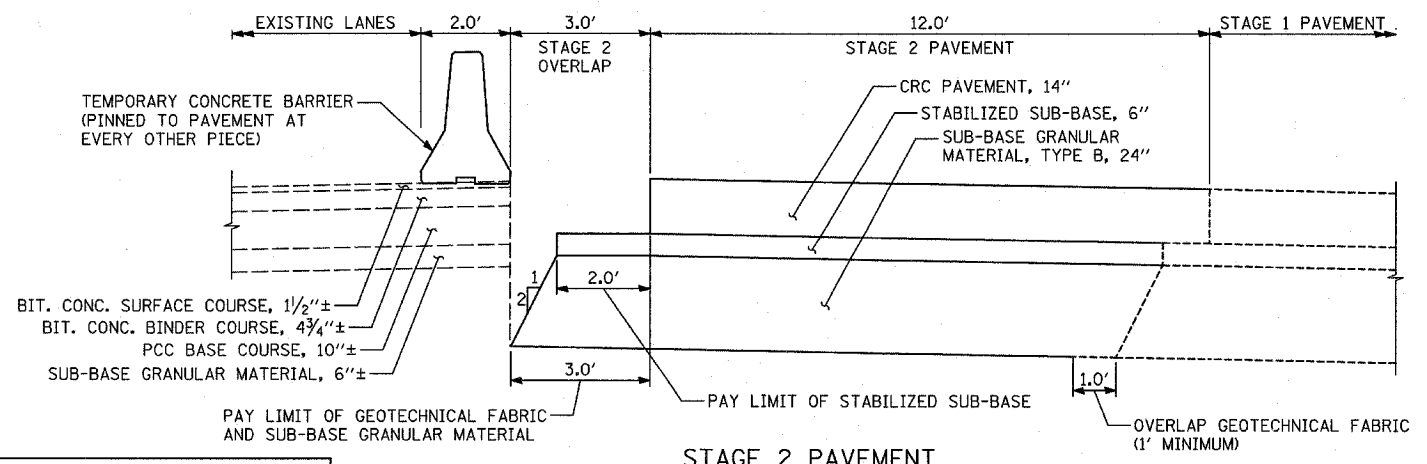
STAGE 3 REMOVAL



STAGE 2 REMOVAL & OVER-DIG



STAGE 3 PAVEMENT



STAGE 2 PAVEMENT

**NOTE:**  
 THESE SECTIONS DEPICT MAINLINE DAN RYAN. SIMILAR SITUATIONS OCCUR ALONG I-57 WITH A LESSER NUMBER OF LANES, BUT SAME CONSTRUCTION REQUIREMENTS.

REVISIONS	
NAME	DATE

ILLINOIS DEPARTMENT OF TRANSPORTATION  
 F.A.I. 94 (DAN RYAN EXPRESSWAY)

MISCELLANEOUS DETAILS:  
 OVER-DIG AREAS

SCALE: AS SHOWN  
 DATE: MARCH 7, 2006

DRAWN BY: RTM  
 CHECKED BY: TGB