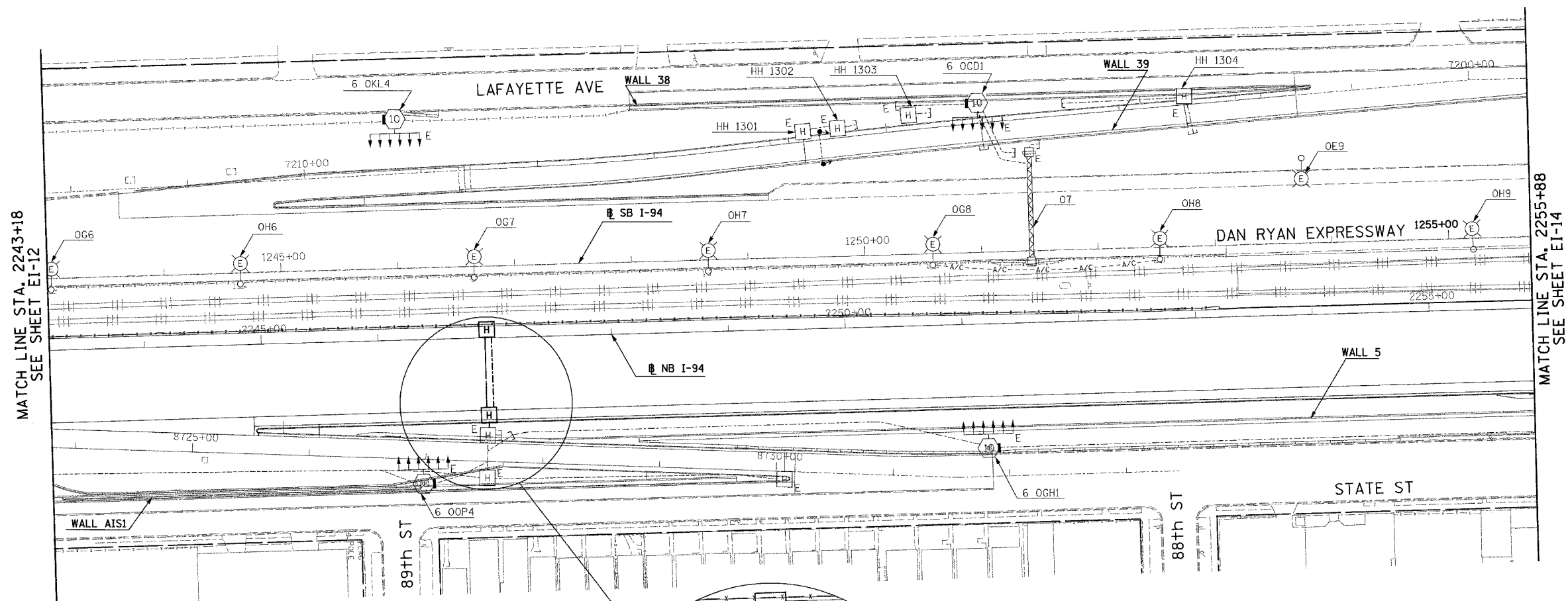


F.A.I. RTE.	SECTION	COUNTY	TOTAL SHEETS	SHEET NO.
94	*	COOK	916	511
STA. 2243+18		TO STA. 2255+88		
FED. ROAD DIST. NO.		ILLINOIS FED. AID PROJECT		
* (1516.1, 1717, & 1818) R-4		62304		

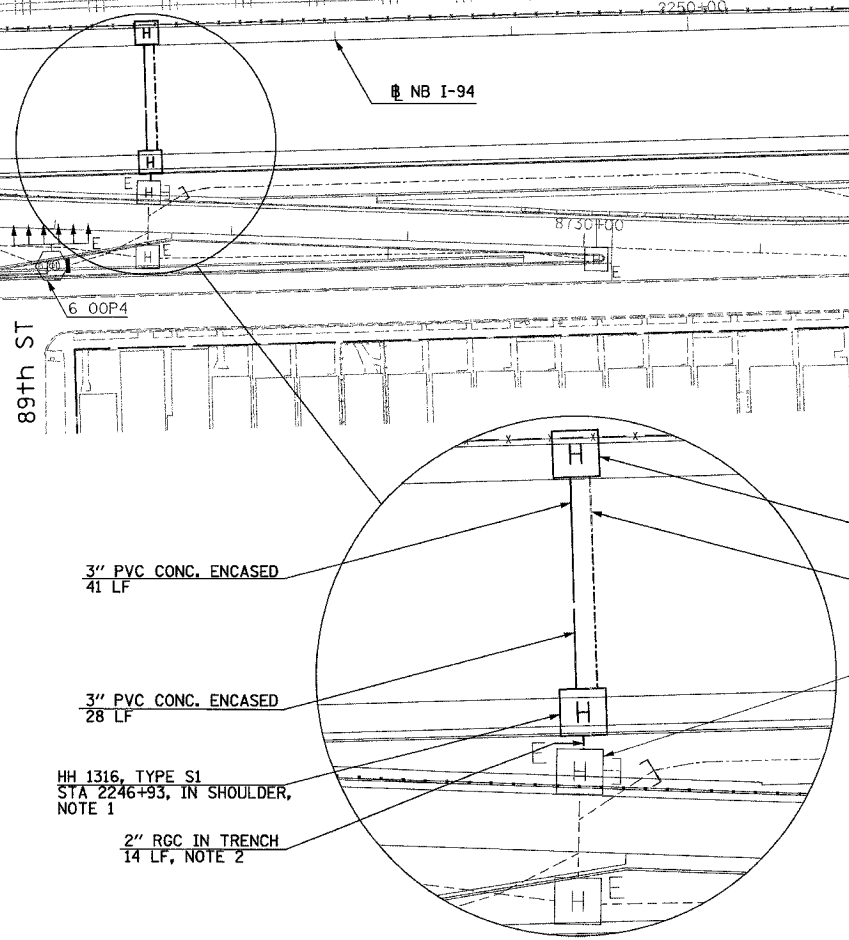
NOTES:

1. REFER TO SHEET EI-106 AND EI-110 FOR HANDHOLE DETAILS.
2. TIE 2" RGC INTO HANDHOLE HH 1311 INSTALLED UNDER CONTRACT 62694.
3. REFER TO SHEET EI-115 FOR DETECTOR STATION LAYOUT.



MATCH LINE STA. 2243+18
SEE SHEET EI-12

MATCH LINE STA. 2255+88
SEE SHEET EI-14



3" PVC CONC. ENCASED
41 LF

3" PVC CONC. ENCASED
28 LF

HH 1316, TYPE S1
STA 2246+93, IN SHOULDER,
NOTE 1

2" RGC IN TRENCH
14 LF, NOTE 2

HH 1312, TYPE S1
STA 2246+93, IN SHOULDER,
NOTE 1

2" RGC IN TRENCH
71 LF

HH 1311
BY OTHERS IN CONTRACT 62694



20/EI-13

REVISIONS	
NAME	DATE

ILLINOIS DEPARTMENT OF TRANSPORTATION
F.A.I. 94 (DAN RYAN EXPRESSWAY)

ELECTRICAL INFRASTRUCTURE PLANS
PROPOSED IMPROVEMENTS
STA. 2243+18 TO STA. 2255+88

SCALE: 1"=50' DRAWN BY: VK
DATE: MARCH 7, 2006 CHECKED BY: TM

SINGH 300 W. ADAMS ST.
CHICAGO, IL 60606
TEL: (312) 629-0240
SINGH & ASSOCIATES, INC. CONSULTING ENGINEERS FAX: (312) 629-8449

3/7/2006 2:36:09 PM