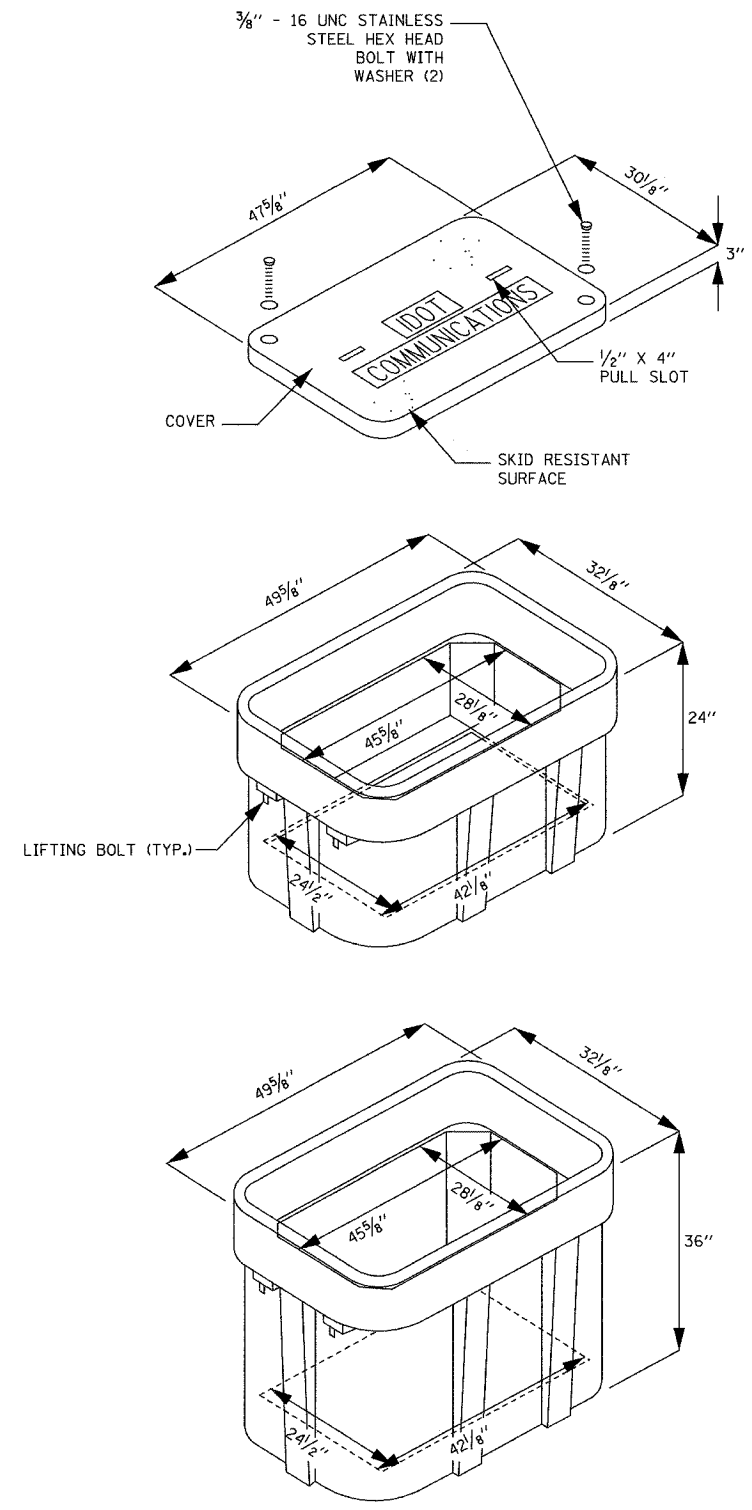
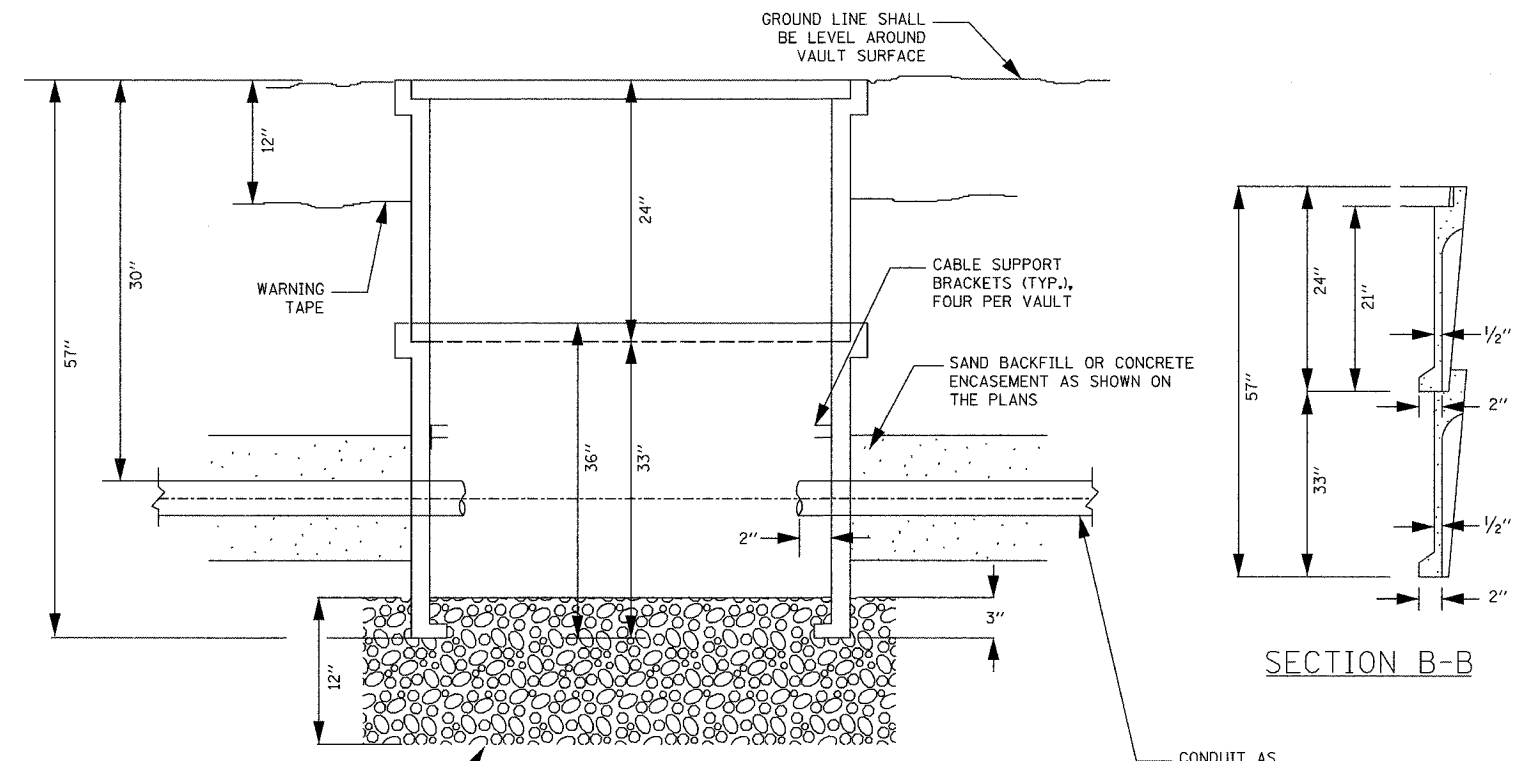


F.A.I. RTE.	SECTION	COUNTY	TOTAL SHEETS	SHEET NO.
94	*	COOK	916	520
STA.		TO STA.		
FED. ROAD DIST. NO.		ILLINOIS FED. AID PROJECT		
* (1516.1, 1717, & 1818) R-4		62304		

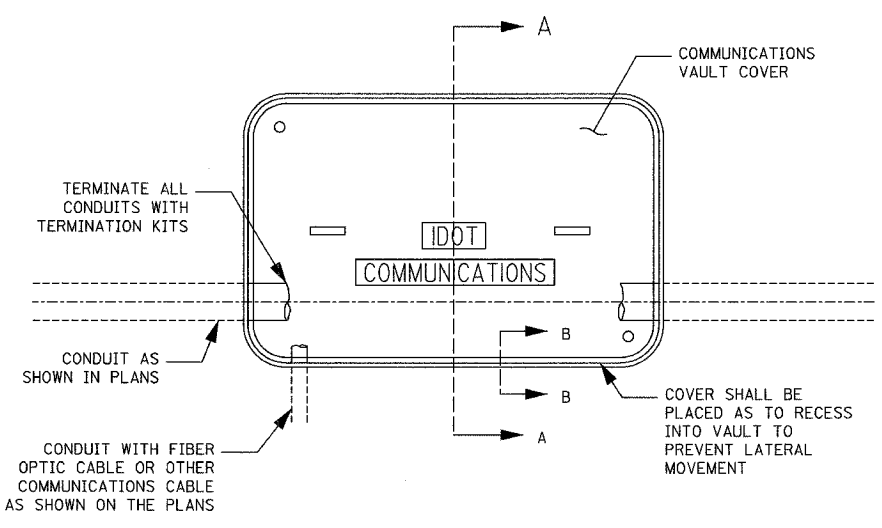


ISOMETRIC



SECTION A-A

SECTION B-B



PLAN

- NOTES:**
1. BOX SHALL HAVE AN OPEN BASE.
 2. COVER SHALL BE TYPE "HA" AND SHALL LOCK.
 3. ALL OPENINGS IN STRUCTURE MUST BE MACHINED AT TIME OF FABRICATION OR PUNCH DRIVEN AT TIME OF PLACEMENT.
 4. FIELD PLACEMENT OF COMMUNICATIONS VAULT SHALL BE AS DIRECTED BY THE ENGINEER.

SINGH
SINGH & ASSOCIATES, INC.
CONSULTING ENGINEERS

300 W. ADAMS ST.
CHICAGO, IL 60606
TEL: (312) 629-0240
FAX: (312) 629-8449

REVISIONS	
NAME	DATE

ILLINOIS DEPARTMENT OF TRANSPORTATION
F.A.I. 94 (DAN RYAN EXPRESSWAY)

**COMMUNICATIONS VAULT DETAILS
(HANDHOLE TYPE C1)**

SCALE: NTS
DATE: MARCH 7, 2006

DRAWN BY: MJL
CHECKED BY: GFR

20/EI-107

3-4926 PM 3/7/2006