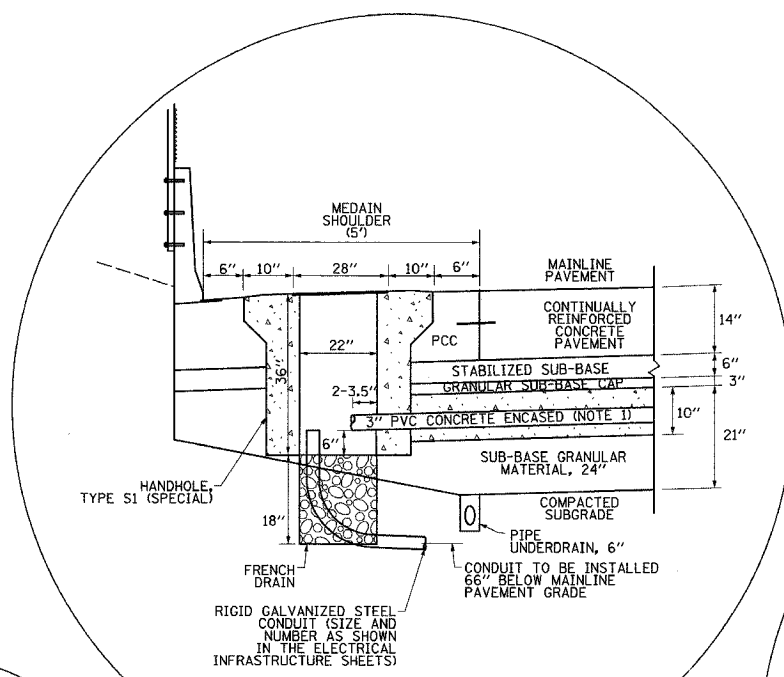
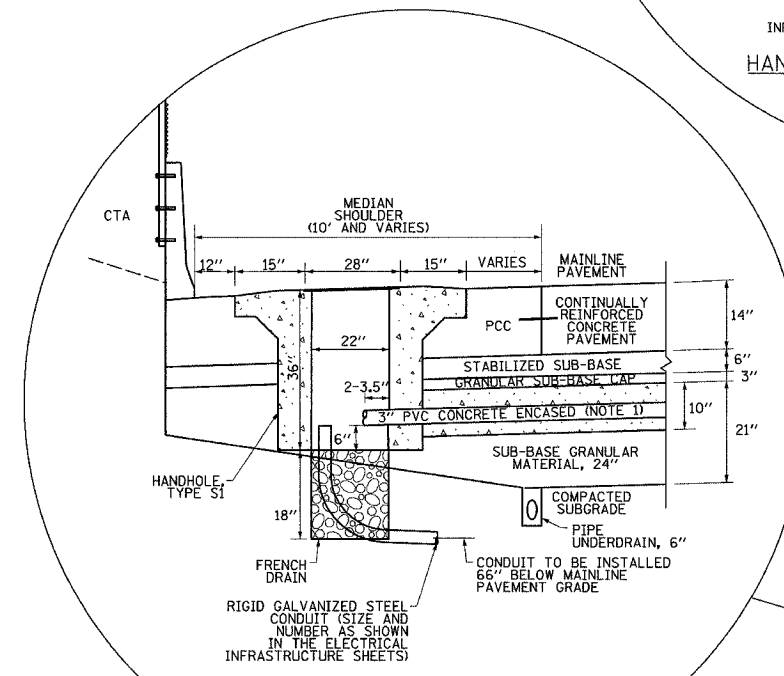


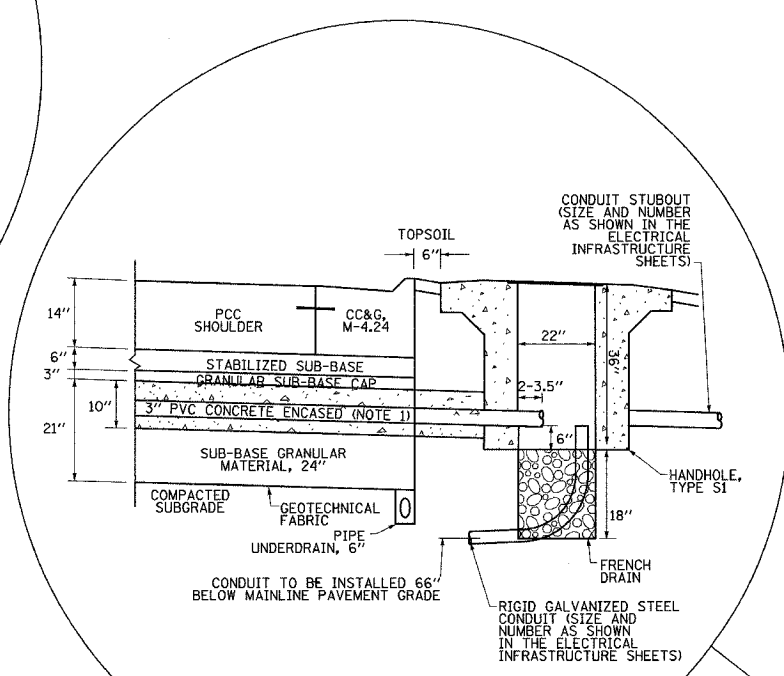
F.A.I. RTE.	SECTION	COUNTY	TOTAL SHEETS	SHEET NO.
94	*	COOK	91b	521
STA.		TO STA.		
FED. ROAD DIST. NO.		ILLINOIS FED. AID PROJECT		
* (1516.1, 1717, & 1818) R-4		62304		



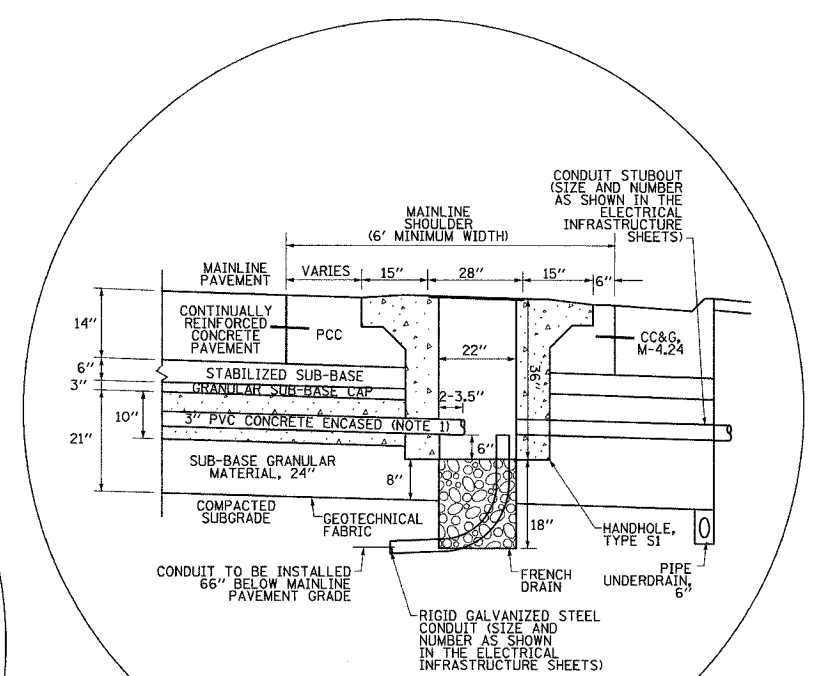
HANDHOLE (SPECIAL) INSTALLATION  
IN MEDIAN SHOULDER  
(STA 2216+00, 2216+20)



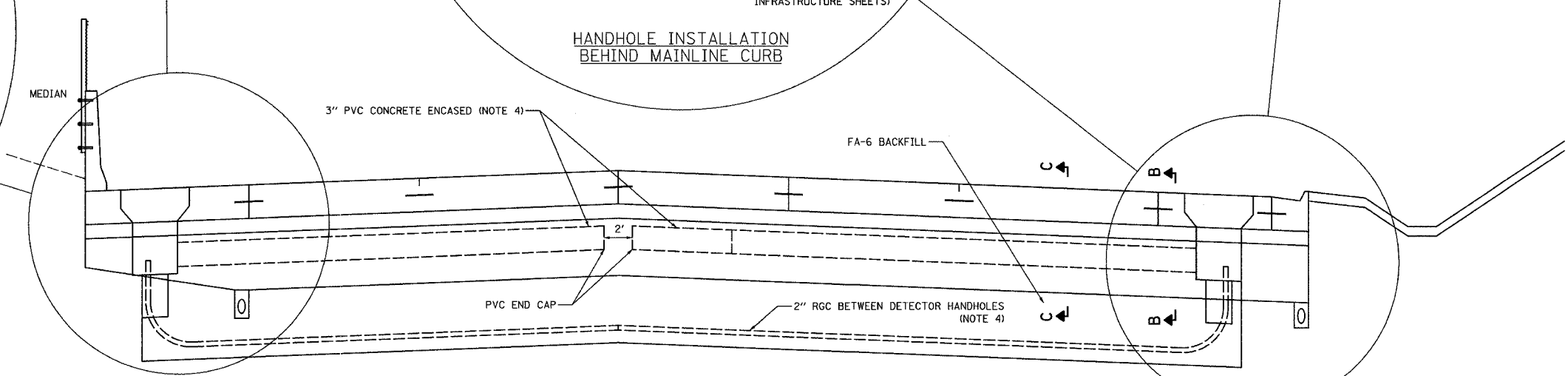
HANDHOLE INSTALLATION  
IN MEDIAN SHOULDER



HANDHOLE INSTALLATION  
BEHIND MAINLINE CURB



HANDHOLE INSTALLATION  
IN MAINLINE SHOULDER



TYPICAL MAINLINE DETECTOR INSTALLATION: SECTION A-A

- NOTES
- 3" PVC CONCRETE ENCASED CONDUIT IS REQUIRED ONLY WHERE SHOWN ON THE PLAN DRAWINGS. WHEN INSTALLED, THE CONDUIT MUST MAINTAIN THE SAME ANGLE AS THE PAVEMENT THROUGHOUT ITS ENTIRE LENGTH.
  - FOR HANDHOLE DETAIL SEE SHEET EI-106.
  - WHEN INSTALLING CONDUIT NEAR OR THROUGH UNDERDRAIN GEOTECHNICAL FABRIC, THE CONTRACTOR SHALL MAINTAIN THE INTEGRITY AND UNIFORMITY OF THE UNDERDRAIN FABRIC THROUGH OVERLAP TO THE SATISFACTION OF THE ENGINEER.
  - CONDUIT IS TO BE INSTALLED IN STAGES AS THE PAVEMENT IS BUILT. SEE SHEETS EI-110A AND EI-115.

**SINGH** 300 W. ADAMS ST.  
CHICAGO, IL 60606  
SINGH & ASSOCIATES, INC. TEL: (312) 629-0240  
CONSULTING ENGINEERS FAX: (312) 629-8449

REVISIONS	
NAME	DATE

ILLINOIS DEPARTMENT OF TRANSPORTATION  
F.A.I. 94 (DAN RYAN EXPRESSWAY)

TYPICAL MAINLINE DETECTOR  
INSTALLATION DETAIL (SHEET 1 OF 2)

SCALE: NTS  
DATE: MARCH 7, 2006

DRAWN BY: NB  
CHECKED BY: MJL

3/17/2006 3:49:28 PM J:\75\contract 20 details\20\_ei110 rev.sh