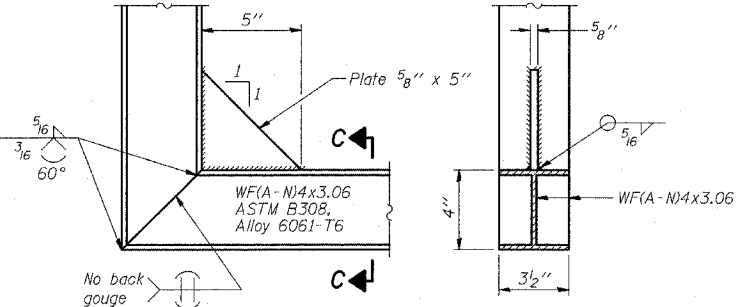
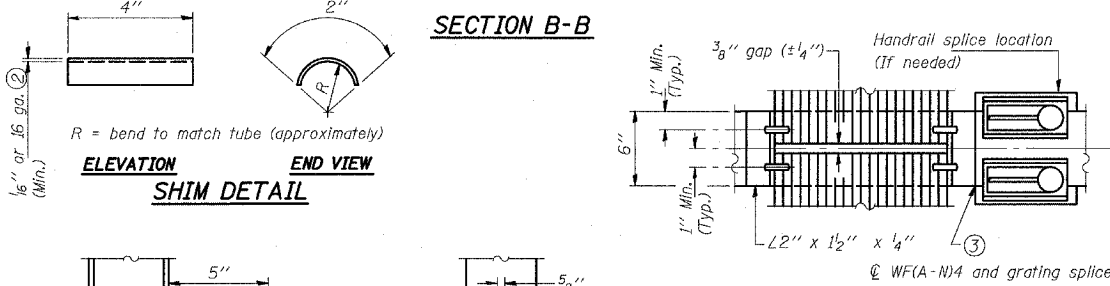
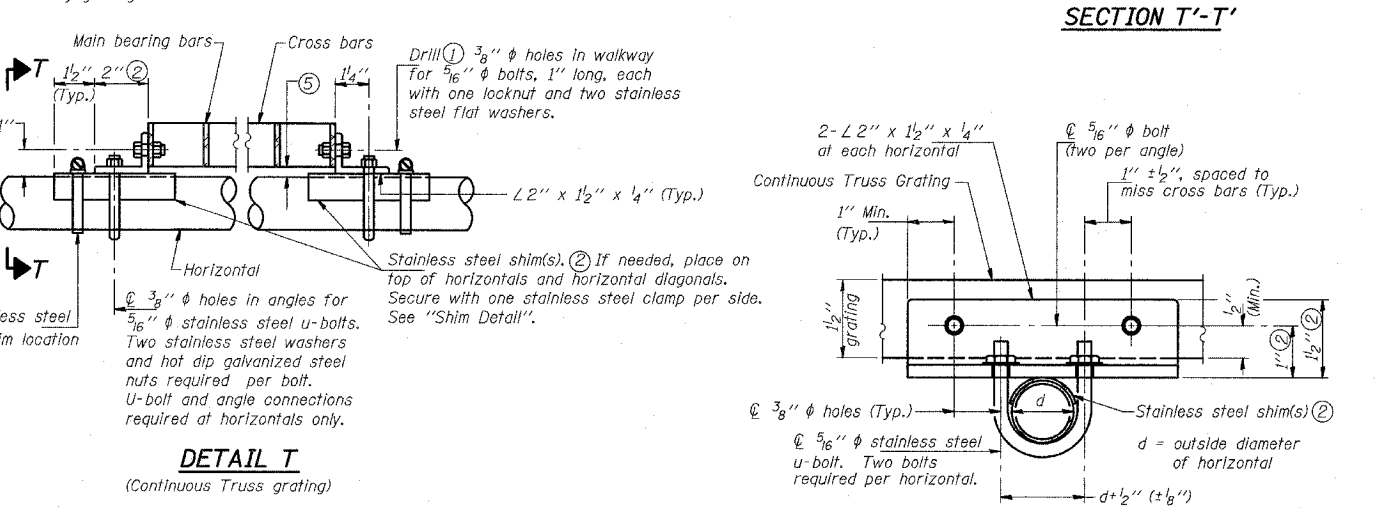
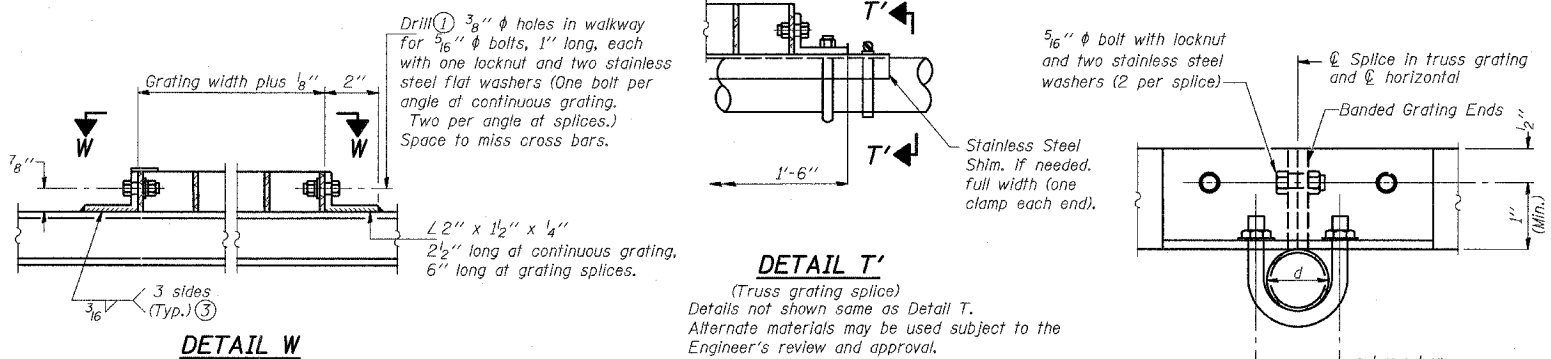
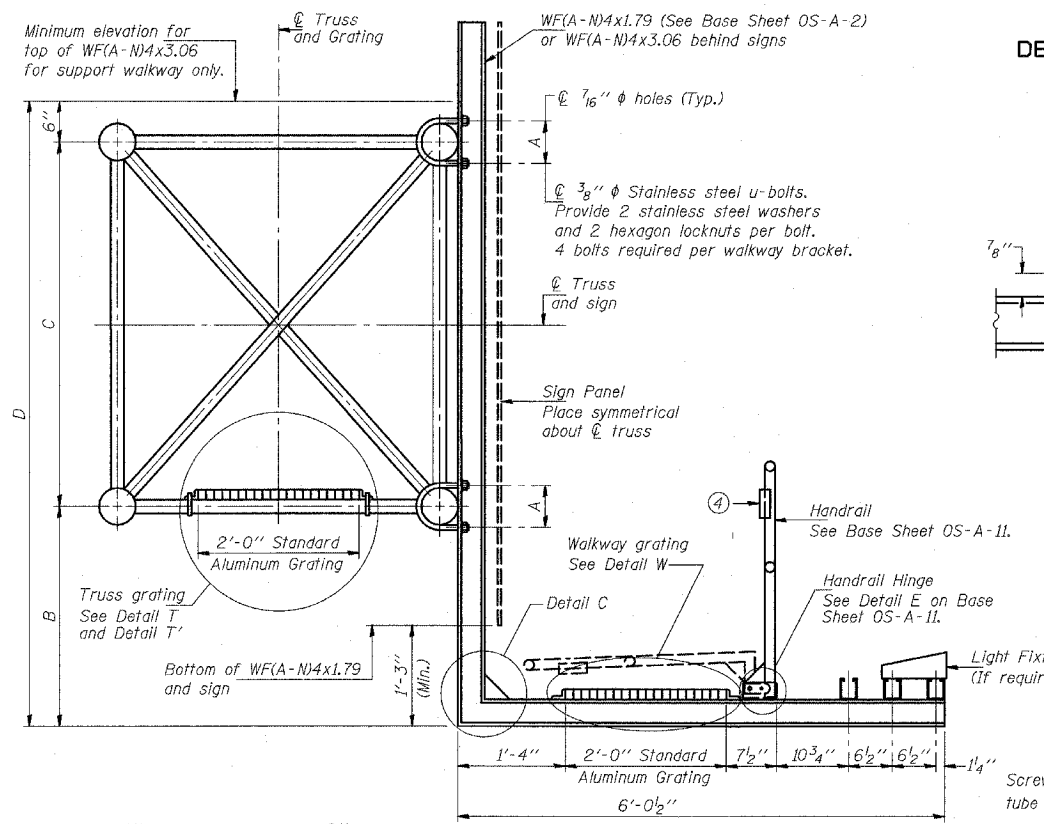


STATE OF ILLINOIS
DEPARTMENT OF TRANSPORTATION



SPECIFICATIONS FOR STANDARD ALUMINUM GRATING

Main Bearing Bars shall be 3/8" x 1/2" on 1 3/8" centers and conform to ASTM B221 Alloy 6061-T6.

Cross bars shall be 3/8" x 1/2" on 4" centers and conform to ASTM B221 Alloy 6063-T5 or 6061-T6.

OR

Aluminum Grating with modified "1" sections for main bearing bars shall meet the following requirements:

Main bars shall conform to ASTM B221 Alloy 6061-T6 and have a minimum section modulus equal to 0.0705 in.³ per bar, a depth of 1 1/2", spaced on 1 3/8" centers.

Cross bars shall conform to ASTM B221 Alloy 6063-T5 or T-42 and spaced on 4" centers.

Structure Number	Station	A	B	C	D
1S0161057R357.72	215+44	6"	4'-0"	4'-6"	10'-0"
1S0161057R357.9	227+29	7"	3'-10 1/2"	5'-3"	10'-7 1/2"
1S0161094R062.8	2204+66	6"	3'-3"	4'-6"	8'-3"
1S0161094R062.2	2242+70	7 1/2"	2'-10 1/2"	5'-3"	8'-7 1/2"
1S0161094R061.7	2264+34	7"	5'-10 1/2"	5'-3"	11'-7 1/2"
1S0161094R061.2	2290+90	7"	2'-10 1/2"	5'-3"	8'-7 1/2"
1S0161094R060.2	2344+44	7 1/2"	3'-10 1/2"	5'-3"	9'-7 1/2"

DESIGNED	EXAMINED

OS-A-10 11/1/2002

NUMBER	REVISION	DATE

- 1) Drilling holes in grating may be done in shop or field, based on Contractor's preference and subject to accurate alignment.
- 2) Stainless steel shims shall be placed as shown in Detail T if needed to compensate for alignment variations between horizontal and diagonal pipes beyond adjustment provided by angles. Thicker shims may be used subject to shims performing properly.
- 3) If Handrail Joint present, weld angle to WF(A-N)4 and 1/4" extension bars. (See Base Sheet OS-A-11.)
- 4) 1/8" x 1/2" x 2" welded to handrail posts to protect locations that contact grating.
- 5) Tube to grating gap may vary from 0 to 1/2" (max.) to align walkway, allow for camber, etc.

**INCLUDED FOR INFORMATION ONLY.
SHEET ORIGINALLY IN CONTRACT 62694.**

TYLIN INTERNATIONAL

REVISIONS	NAME	DATE

ILLINOIS DEPARTMENT OF TRANSPORTATION
F.A.I. 94 (DAN RYAN EXPRESSWAY)

OVERHEAD SIGN STRUCTURES
ALUMINUM WALKWAY DETAILS

SCALE: AS NOTED
DATE: MARCH 18, 2005
DRAWN BY: AMB
CHECKED BY: TB