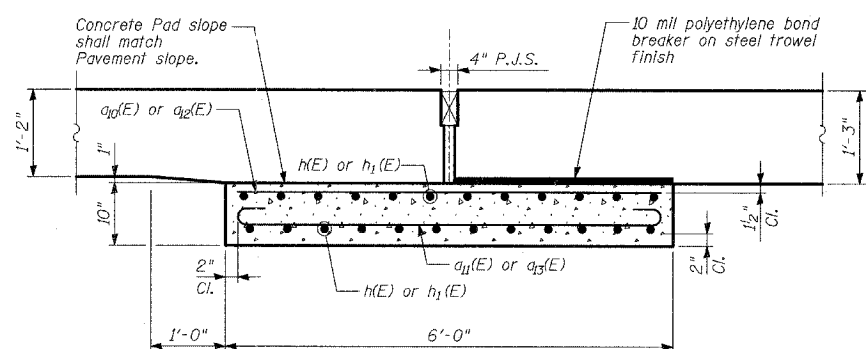
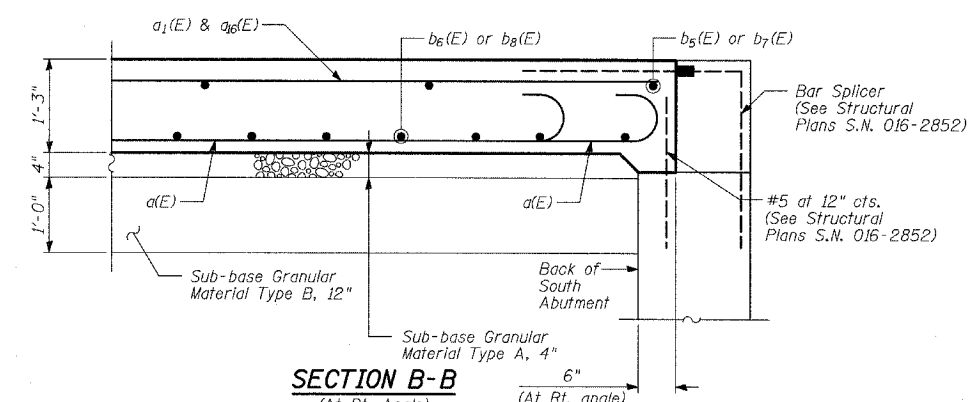


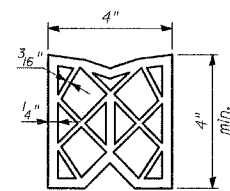
SECTION D-D



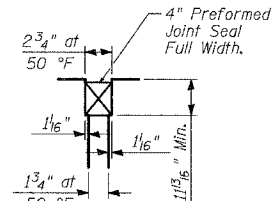
SECTION C-C



SECTION B-B  
(At Rt. Angle)



PREFORMED JOINT SEAL



DETAIL A

**DESIGN STRESSES**

$f_y = 60,000 \text{ psi}$   
 $f'_c = 3,500 \text{ psi}$   
 $n = 8.5$

REVISIONS	
NAME	DATE

ILLINOIS DEPARTMENT OF TRANSPORTATION  
 F.A.I. 94 (DAN RYAN EXPRESSWAY)  
 BRIDGE APPROACH PAVEMENT (SPECIAL)  
 SOUTH - DETAIL 1

S.N. DESIGNED BY: MAF  
 SCALE: NTS DRAWN BY: MAF  
 DATE: MARCH 7, 2006 CHECKED BY: MI

**TYLIN INTERNATIONAL**