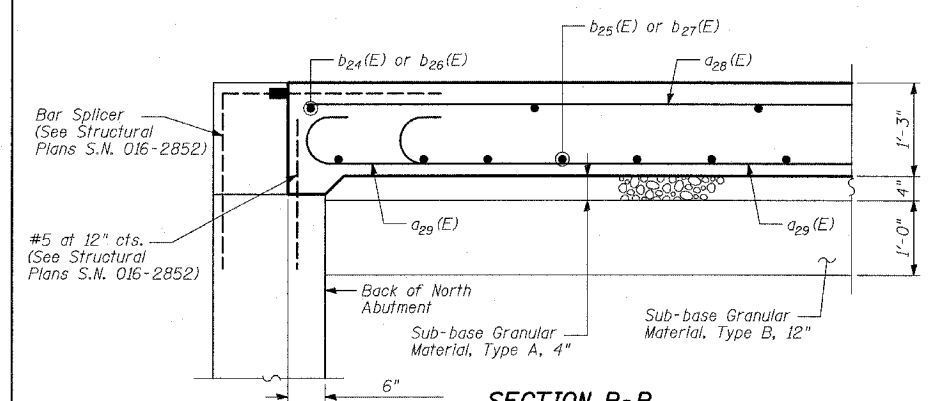
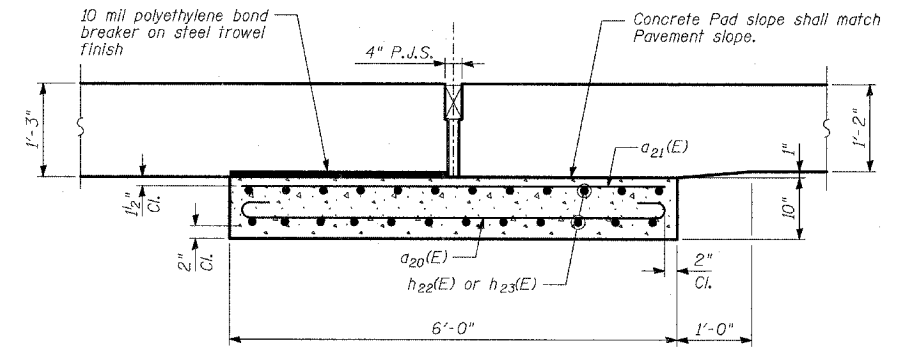


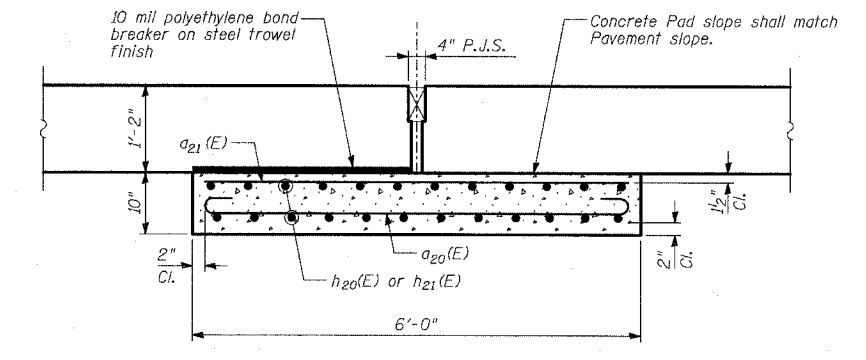
SECTION A-A



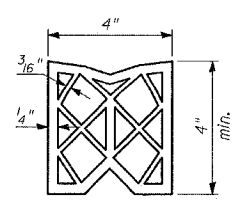
SECTION B-B
(At Rt. Angle)



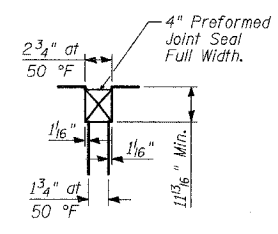
SECTION C-C



SECTION D-D



PREFORMED JOINT SEAL



DETAIL A

DESIGN STRESSES
 $f_y = 60,000 \text{ psi}$
 $f'_c = 3,500 \text{ psi}$
 $n = 8.5$

REVISIONS	
NAME	DATE

ILLINOIS DEPARTMENT OF TRANSPORTATION
 F.A.I. 94 (DAN RYAN EXPRESSWAY)
BRIDGE APPROACH PAVEMENT (SPECIAL)
 NORTH - DETAIL 1

S.N.
 SCALE: NTS
 DATE: MARCH 7, 2006

DESIGNED BY: MAF
 DRAWN BY: MAF
 CHECKED BY: MI