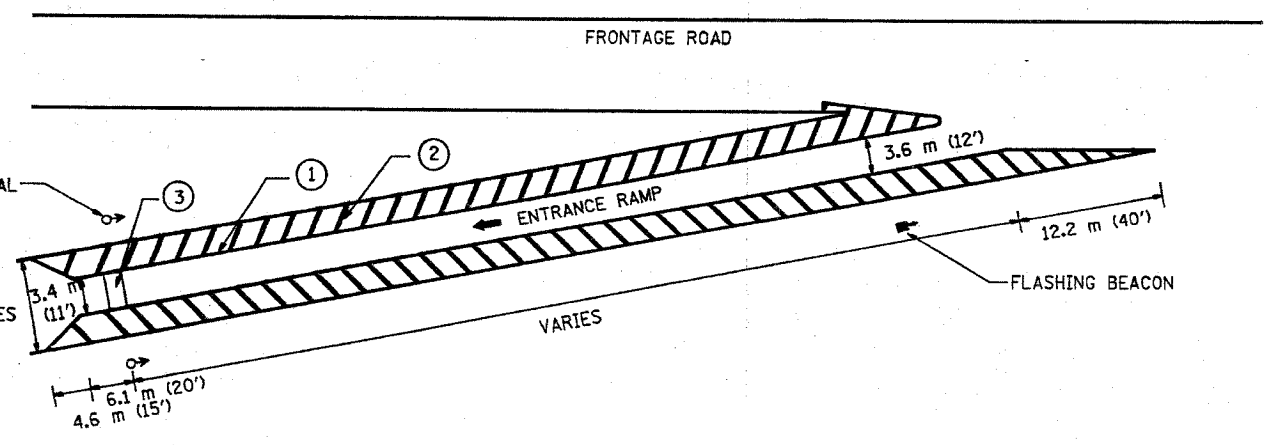
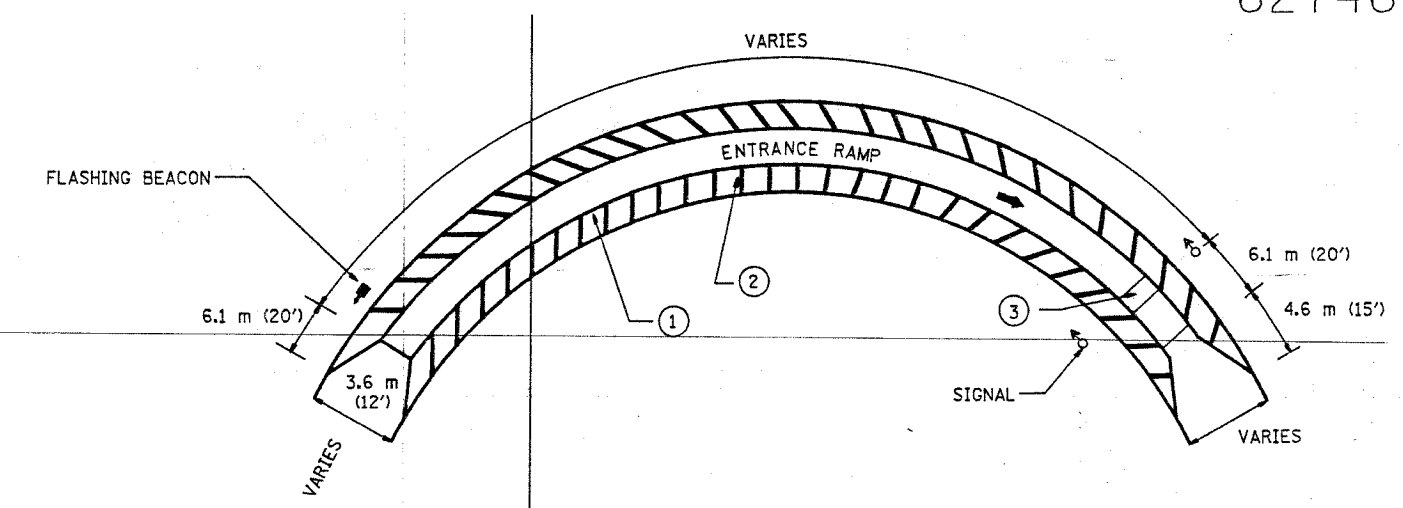
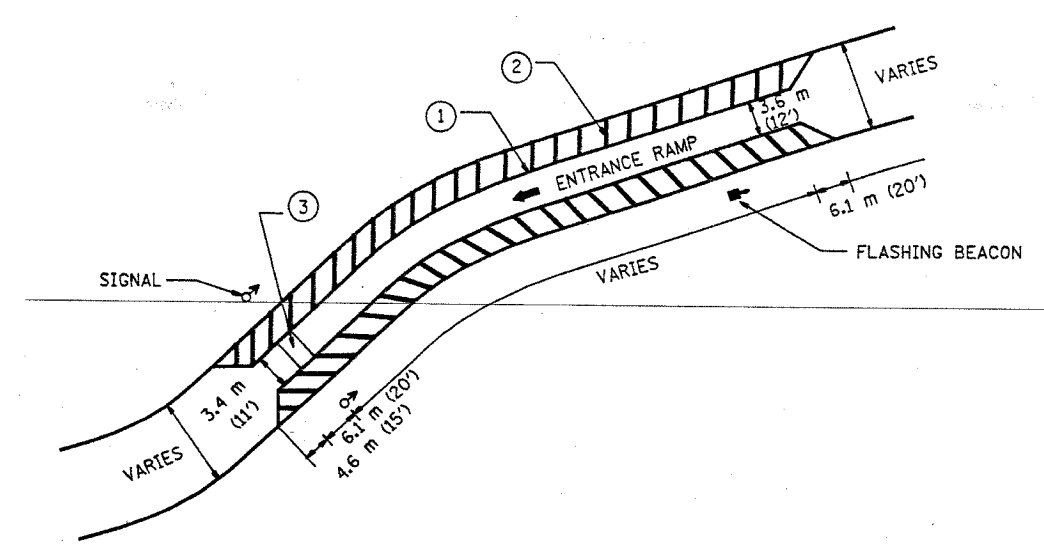


F.A.I. RTE.	SECTION	COUNTY	TOTAL SHEETS	SHEET No.
90		COOK	81	63
STA.		TO STA.		
FED. ROAD DIST. NO. 1 ILLINOIS		FED. AID PROJECT		
• (1012, 1214, 1415, & 1517) RS-3				

62746



- PAVIMENT MARKING
- ① 30.5 cm (12") WHITE CHANNEL MARKINGS
 - ② 20.3 cm (8") WHITE CROSS-HATCHING AT 3.05 m (10') INTERVALS
 - ③ 60.9 cm (24") WHITE STOP BAR CENTERED BETWEEN SIGNALS

FOR INFORMATION ONLY - WORK UNDER THIS CONTRACT IS EXISTING SURVEILLANCE LOOP REPLACEMENT

REVISIONS		ILLINOIS DEPARTMENT OF TRANSPORTATION
NAME	DATE	
		TYPICAL RAMP METERING STRIPING
SCALE: VERT. NONE HORIZ. DATE 04/12/2004		DRAWN BY CHECKED BY