

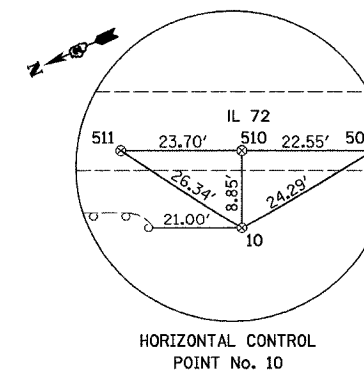
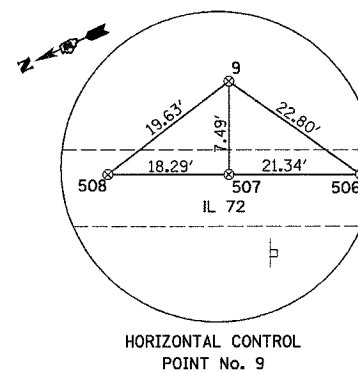
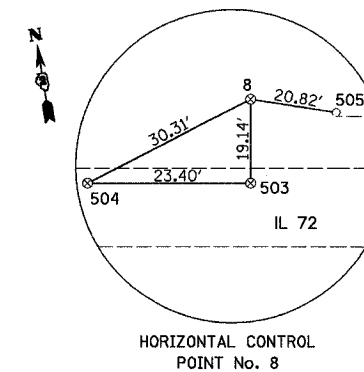
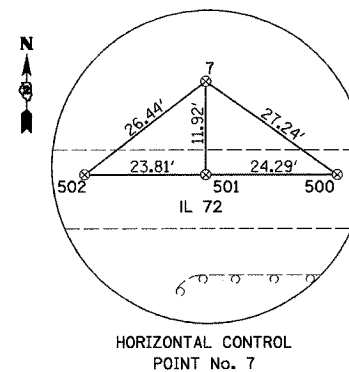
HORIZONTAL & VERTICAL CONTROL

CONTRACT NO. 64858				
F.A.P. RTE.	SECTION	COUNTY	TOTAL SHEETS	SHEET NO.
553	125VBR-1	DEKALB	55	6
STA.		TO STA.		
FED. ROAD DIST. NO.		ILLINOIS FED. AID PROJECT		

BENCH MARKS							
POINT	NORTH	EAST	ELEVATION	CHAIN	STATION	OFFSET	DESCRIPTION
406	1981021.2765	2643457.6878	788.87	IL 72	143+33.94	17.41' LT	CHISELED SQUARE ON N.E. WINGWALL
407	1982239.4518	2641811.1642	755.83	IL 72	121+83.25	40.04' LT	BRASS PLUG

CURVE POINT NUMBERS				
CURVE	PI	CC	PC	PT
200	200	201	202	203
210	210	211	212	213
220	220	221	222	223
230	230	231	232	233

REFERENCE TIES				
POINT	CHAIN	STATION	OFFSET	DESCRIPTION
500	IL 72	120+18.84	12.27' LT.	SURVEY NAIL
501	IL 72	119+94.57	12.29' LT.	SURVEY NAIL
502	IL 72	119+70.76	12.29' LT.	SURVEY NAIL
503	IL 72	128+06.01	11.69' LT.	SURVEY NAIL
504	IL 72	127+82.78	11.61' LT.	SURVEY NAIL
505	IL 72	128+23.99	20.83' LT.	SURVEY NAIL
506	IL 72	154+08.69	12.15' LT.	SURVEY NAIL
507	IL 72	153+87.37	12.14' LT.	SURVEY NAIL
508	IL 72	153+69.09	12.08' LT.	SURVEY NAIL
509	IL 72	167+01.93	11.61' RT.	SURVEY NAIL
510	IL 72	166+79.36	11.63' RT.	SURVEY NAIL
511	IL 72	166+55.66	11.58' RT.	SURVEY NAIL



FILE NAME = 010824C.DGN
 LEVELS =
 PLOT SCALE = 1/8"=1'-0"
 PLOT DATE = 1-96
 OPERATOR = ARR
 REF =
 REF =