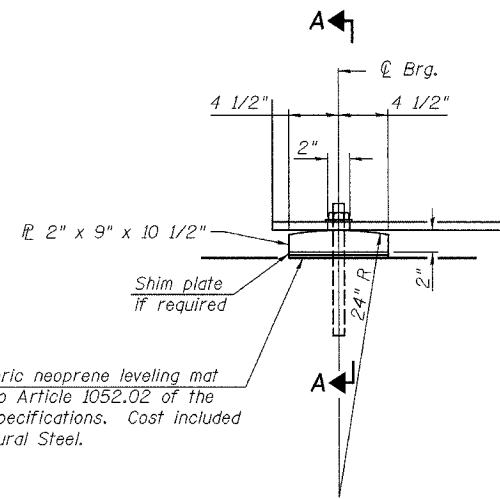


STATE OF ILLINOIS  
DEPARTMENT OF TRANSPORTATION

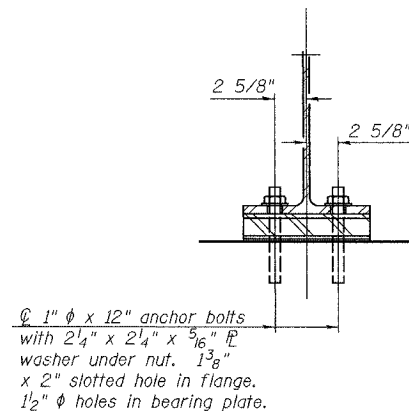
ROUTE NO.	SECTION	COUNTY	TOTAL SHEETS	SHEET NO.	SHEET NO. 9
FAP 553	125 VBR-1	DEKALB	55	24	20 SHEETS
FED. ROAD DIST. NO. 7	ILLINOIS	FED. AID PROJECT-			

Contract #64858



ELEVATION AT ABUTMENT

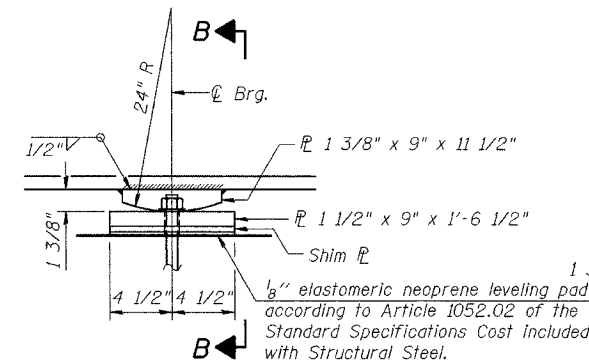
FIXED BEARING  
AT ABUTMENT



SECTION A-A

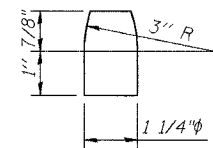
1"  $\phi$  x 12" anchor bolts  
with 2 1/4" x 2 1/4" x 5/16"  $\bar{P}$   
washer under nut. 1 3/8"  
x 2" slotted hole in flange.  
1/2"  $\phi$  holes in bearing plate.

Notes:  
Anchor bolts at fixed bearings may be  
built into the masonry.  
See sheet 13 of 20 for Anchor Bolt installation.

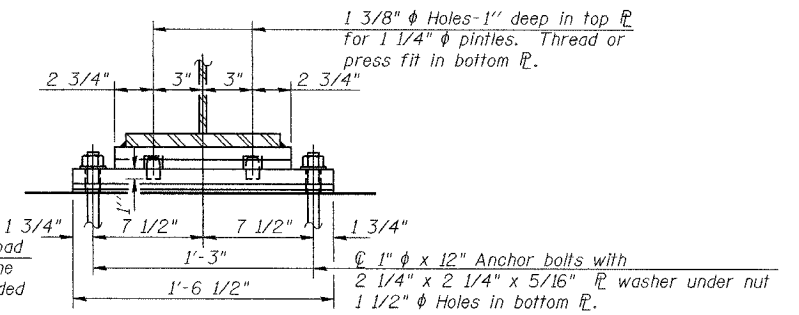


ELEVATION AT PIER

FIXED BEARING  
AT PIER



PINTLE



SECTION B-B

DESIGNED	JKC
CHECKED	JDA
DRAWN	ARR
CHECKED	JKC

BEARING DETAILS  
IL RTE 72 OVER  
IOWA CHICAGO & EASTERN RAILROAD  
FAP ROUTE 553  
SECTION 125VBR-1  
DEKALB COUNTY  
STA. 144+14.40  
SN 019-0047