

STATE OF ILLINOIS  
DEPARTMENT OF TRANSPORTATION

ROUTE NO.	SECTION	COUNTY	DATE	SHEET NO.
FAP 553	125 VBR-1	DEKALB	55 27	20 SHEETS
FED. ROAD DIST. NO. 7	ILLINOIS	FED. AID PROJECT-		

Contract #64858

Notes: Space reinforcement in cap to miss anchor balls.  
Four steps monolithically with cap.

**PILE DATA**

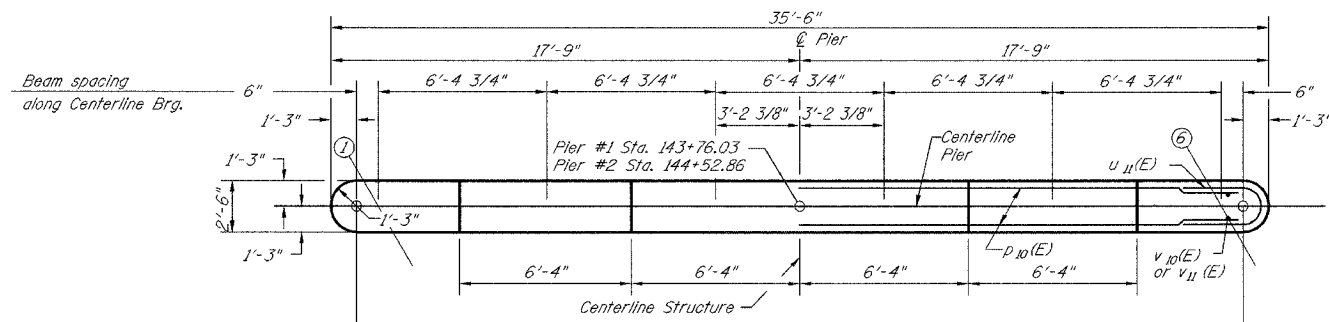
Type: HP12x53  
Required Bearing: 104 Tons  
Design Capacity: 69 Tons  
Est. Length: 83'  
No. Req'd: 5 Plus 1 Test Pile

Pier #1

**PILE DATA**

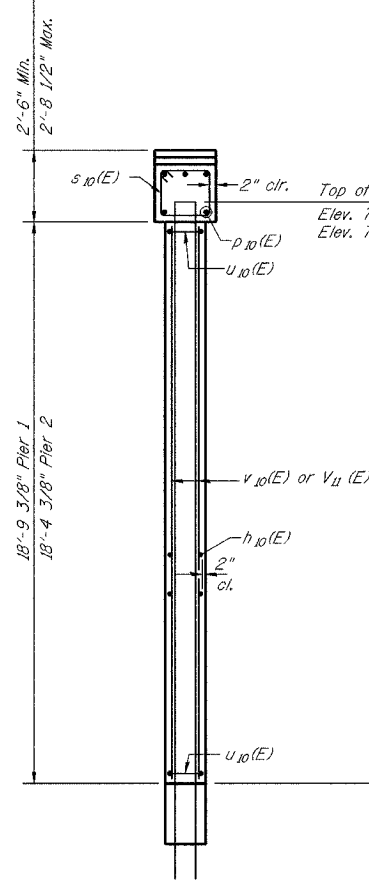
Type: HP12x53  
Required Bearing: 104 Tons  
Design Capacity: 69 Tons  
Est. Length: 80'  
No. Req'd: 6

Pier #2

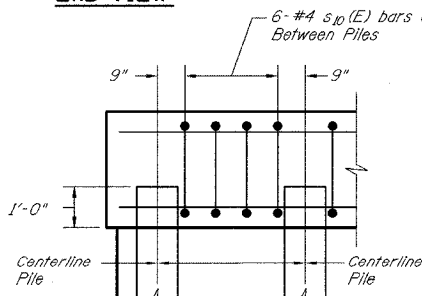


Loc.	Pier 1	Pier 2
A	785.98	785.96
B	786.08	786.06
C	786.16	786.17
D	786.06	786.08
E	785.95	785.98

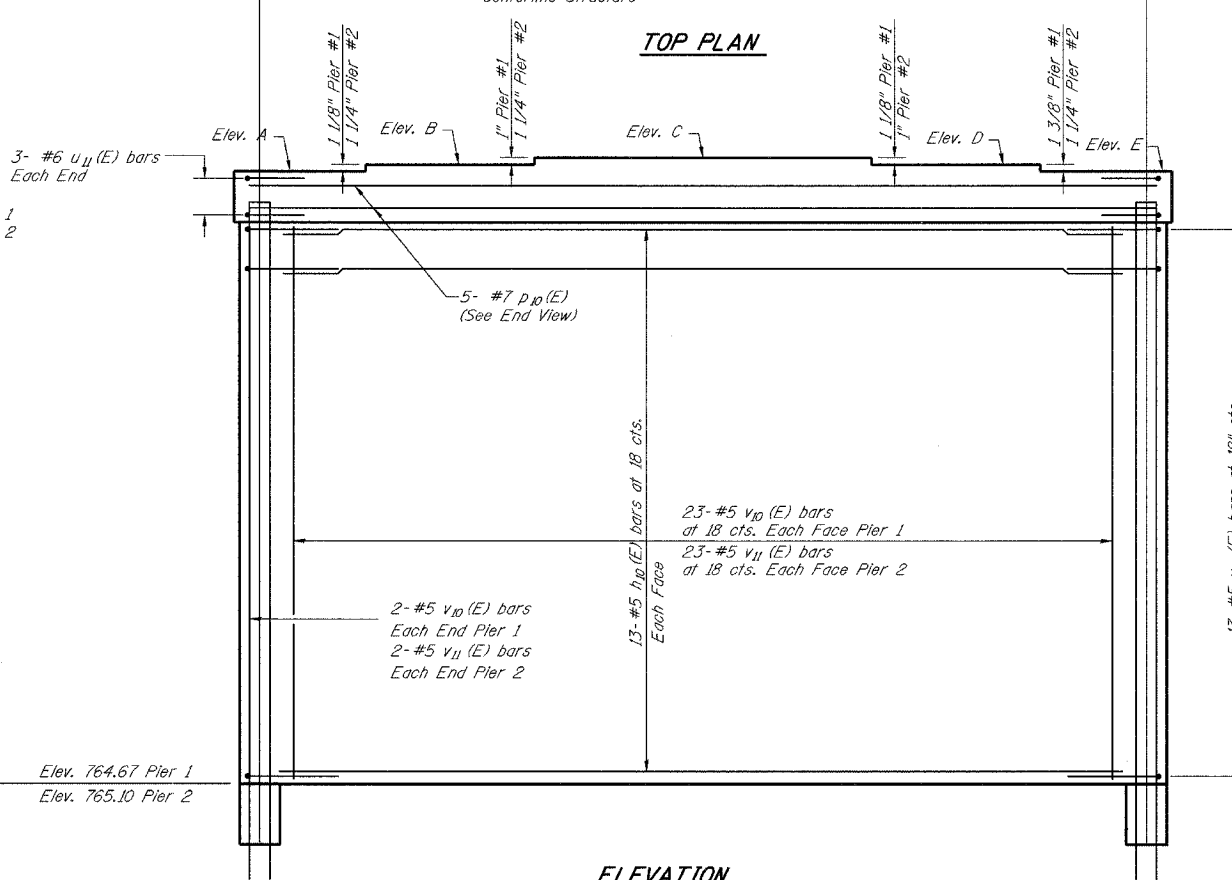
Welded wire fabric 6 x 6-W4.0 x W4.0 with a weight of 58#/100 sq. ft. The cost of Excavation, Class SI Concrete Encasement and Reinforcement is included in the cost of furnishing piles. Forms for encasement may be omitted when soil conditions permit.



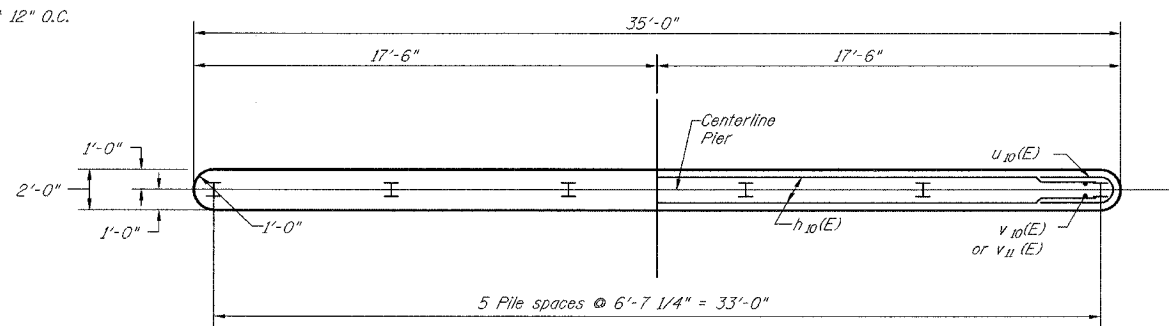
**END VIEW**



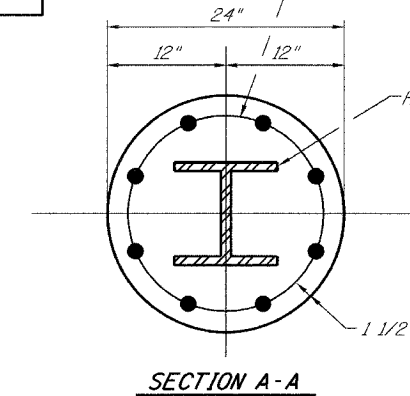
**PARTIAL ELEVATION**



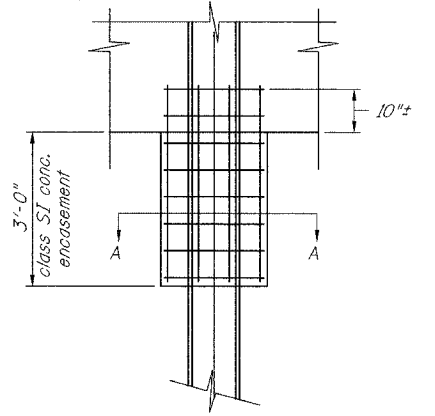
**ELEVATION**  
(LOOKING SOUTH)



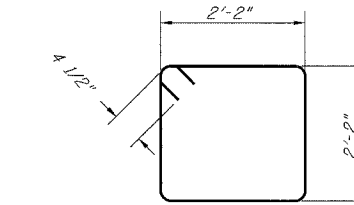
**SECTION**



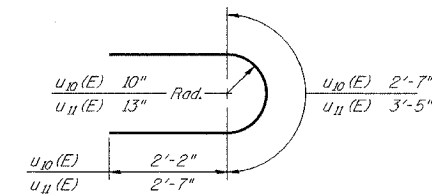
**SECTION A-A**



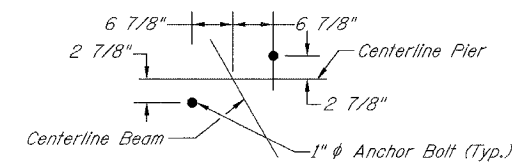
**HP PILE ENCASEMENT**



**BAR  $s_{10}(E)$**



**BARS  $u_{10}(E)$  and  $u_{11}(E)$**



**TYPICAL ANCHOR BOLT LAYOUT**

**BILL OF MATERIAL - 2 PIERS**

Bar	No.	Size	Length	Shape
$h_{10}(E)$	52	#5	33'-0"	—
$p_{10}(E)$	10	#7	33'-0"	—
$s_{10}(E)$	60	#4	9'-5"	□
$u_{10}(E)$	52	#5	6'-11"	U
$u_{11}(E)$	12	#6	8'-7"	U
$v_{10}(E)$	50	#5	18'-6"	—
$v_{11}(E)$	50	#5	18'-0"	—
Concrete Structures		Cu Yd	112.1	
Reinforcement Bars, Epoxy Coated		Pound	5280	
Test Pile Steel HP12x53		Each	1	
Furnishing Steel Piles HP12x53		Foot	895	
Driving Steel Piles		Foot	895	
Structure Excavation		Cu Yd	18.0	

\* 9 Cu Yd Pier 1  
9 Cu Yd Pier 2

Reinforcement Bars designated (E) shall be epoxy coated.

**PIER #1 & #2**  
IL RTE 72 OVER  
IOWA CHICAGO & EASTERN RAILROAD  
FAP ROUTE 553  
SECTION 125VBR-1  
DEKALB COUNTY  
STA. 144+14.40  
SN 019-0047

DESIGNED	JDA
CHECKED	JKC
DRAWN	ARR
CHECKED	JKC