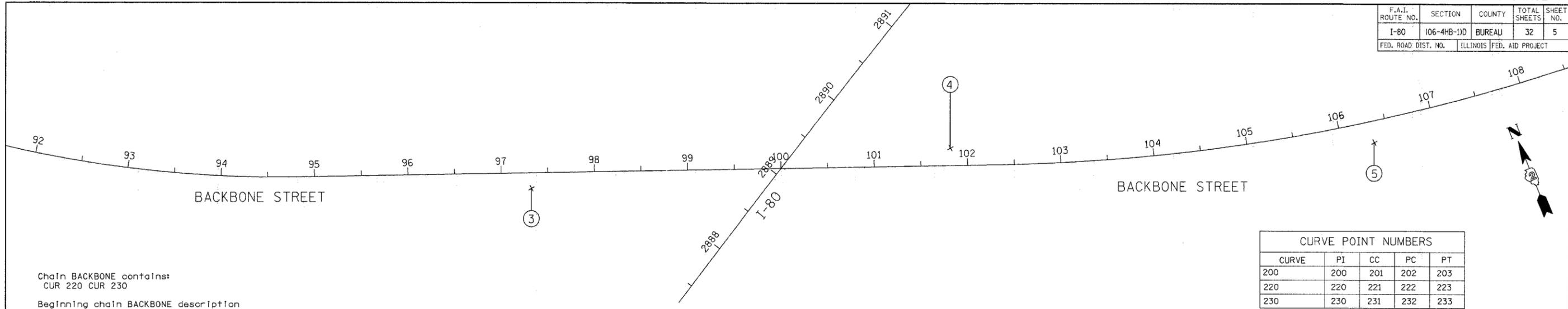


F.A.I. ROUTE NO.	SECTION	COUNTY	TOTAL SHEETS	SHEET NO.
I-80	106-4HB-1D	BUREAU	32	5
FED. ROAD DIST. NO.		ILLINOIS	FED. AID PROJECT	



Chain BACKBONE contains:  
CUR 220 CUR 230

Beginning chain BACKBONE description  
=====

Curve Data

Curve 220  
P. I. Station 93+31.03 N 1,722,934.19 E 2,478,080.39  
Delta = 13° 41' 48" (LT)  
Degree = 4° 26' 56"  
Tangent = 154.67  
Length = 307.86  
Radius = 1,287.84  
External = 9.25  
Long Chord = 307.13  
Mid. Ord. = 9.19  
P. C. Station 91+76.36 N 1,723,037.56 E 2,477,965.35  
P. T. Station 94+84.22 N 1,722,861.00 E 2,478,216.65  
C. C. Station 93+31.03 N 1,723,995.51 E 2,478,826.08  
Back = S 48° 03' 35" E  
Ahead = S 61° 45' 23" E  
Chord Bear = S 54° 54' 29" E

Course from PT 220 to PC 230 S 61° 45' 23" E Dist 751.10

Curve Data

Curve 230  
P. I. Station 105+91.68 N 1,722,336.93 E 2,479,192.26  
Delta = 19° 47' 27" (LT)  
Degree = 2° 48' 17"  
Tangent = 356.35  
Length = 705.61  
Radius = 2,042.78  
External = 30.85  
Long Chord = 702.10  
Mid. Ord. = 30.39  
P. C. Station 102+35.33 N 1,722,505.56 E 2,478,878.33  
P. T. Station 109+40.93 N 1,722,284.55 E 2,479,544.74  
C. C. Station 103+33.50 N 1,724,305.14 E 2,479,845.01  
Back = S 61° 45' 23" E  
Ahead = S 81° 32' 50" E  
Chord Bear = S 71° 39' 07" E

Ending chain BACKBONE description  
=====

Chain I80 contains:  
CUR 200

Beginning chain I80 description  
=====

Curve Data

Curve 200  
Features: PROW  
P. I. Station 2899+28.56 N 1,723,167.77 E 2,479,535.83  
Delta = 20° 11' 13" (RT)  
Degree = 0° 26' 03"  
Tangent = 2,348.44  
Length = 4,648.19  
Radius = 13,192.84  
External = 207.39  
Long Chord = 4,624.19  
Mid. Ord. = 204.18  
P. C. Station 2875+80.12 N 1,722,037.71 E 2,477,477.16  
P. T. Station 2922+28.31 N 1,723,518.00 E 2,481,858.01  
C. C. Station 2899+28.56 N 1,710,472.69 E 2,483,825.52  
Back = N 61° 14' 11" E  
Ahead = N 81° 25' 24" E  
Chord Bear = N 71° 19' 47" E

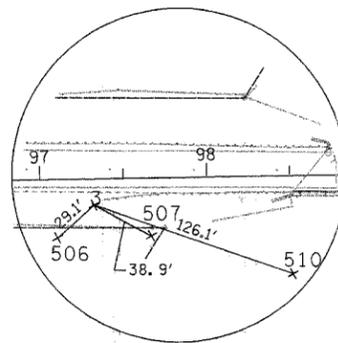
Ending chain I80 description  
=====

POINT	NORTH	EAST	ELEVATION	CHAIN	STATION	OFFSET	DESCRIPTION
1067	1722697.57	2478450.22	667.00	BACKBONE	97+67.33	33.44 RT	CONCRETE MONUMENT WITH BRASS CAP
1323	1722554.03	2478910.39	670.51	BACKBONE	102+40.79	57.86 LT	CONCRETE ROW MONUMENT

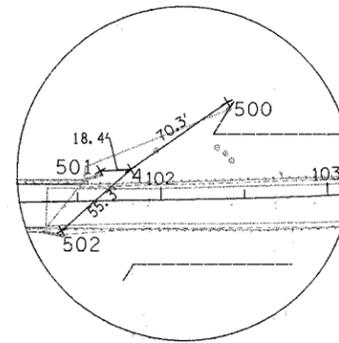
POINT	NORTH	EAST	ELEVATION	CHAIN	STATION	OFFSET	DESCRIPTION
1099	1722738.45	2478535.38	670.57	BACKBONE	98+23.01	42.87 LT	CONCRETE ROW MONUMENT
1066	1722692.86	2478456.55	668.76	BACKBONE	97+75.13	34.59 RT	CONCRETE ROW MONUMENT
1323	1722554.03	2478910.39	670.51	BACKBONE	102+40.79	57.86 LT	CONCRETE ROW MONUMENT

POINT	CHAIN	STATION	OFFSET	DESCRIPTION
500	BACKBONE	102+40.85	57.69 LT	ROW MARKER
501	BACKBONE	101+63.84	17.92 LT	TOP OF WINGWALL
502	BACKBONE	101+40.05	17.12 RT	TOP OF WINGWALL
503	BACKBONE	107+33.17	18.10 RT	GUARDPOST
504	BACKBONE	105+90.71	94.69 RT	FENCE POST
505	BACKBONE	105+81.45	138.31 RT	POWER POLE W/ TRANSFORMER
506	BACKBONE	97+10.35	35.34 RT	POWER POLE W/ TRANSFORMER
507	BACKBONE	97+66.51	35.09 RT	FENCE POST
510	BACKBONE	98+51.13	59.10 RT	HEADWALL

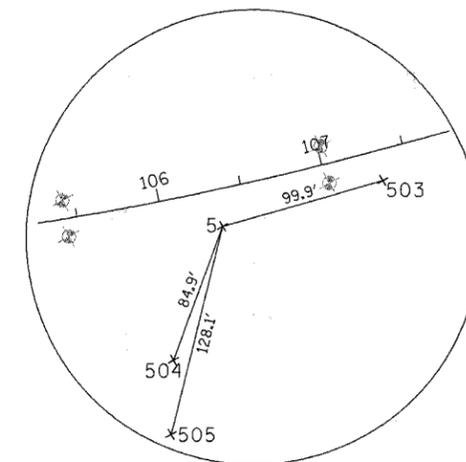
POINT	NORTH	EAST	ELEVATION	CHAIN	STATION	OFFSET	DESCRIPTION
3	1722729.10	2478427.54	669.00	BACKBONE	97+32.43	16.40 RT	REBAR WITH CAP
4	1722547.25	2478840.36	676.91	BACKBONE	101+82.15	18.76 LT	REBAR WITH CAP
5	1722330.57	2479239.37	673.31	BACKBONE	106+34.35	22.58 RT	REBAR WITH CAP



HORIZONTAL CONTROL POINT NO. 3



HORIZONTAL CONTROL POINT NO. 4



HORIZONTAL CONTROL POINT NO. 5

ILLINOIS DEPARTMENT OF TRANSPORTATION  
BACKBONE ROAD OVER I-80  
BRIDGE REHABILITATION  
EXISTING HORIZONTAL AND  
VERTICAL CONTROL  
DATE: 2/07/06 SCALE: HORIZ. 1"=50'  
GRAEF, ANHALT, SCHLOEMER & ASSOCIATES, INC.  
CHICAGO, ILLINOIS