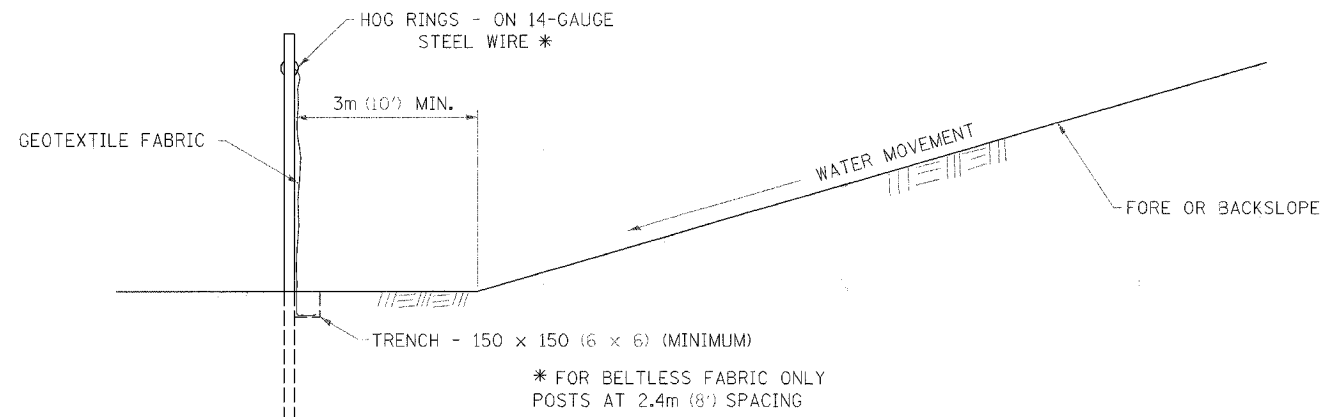
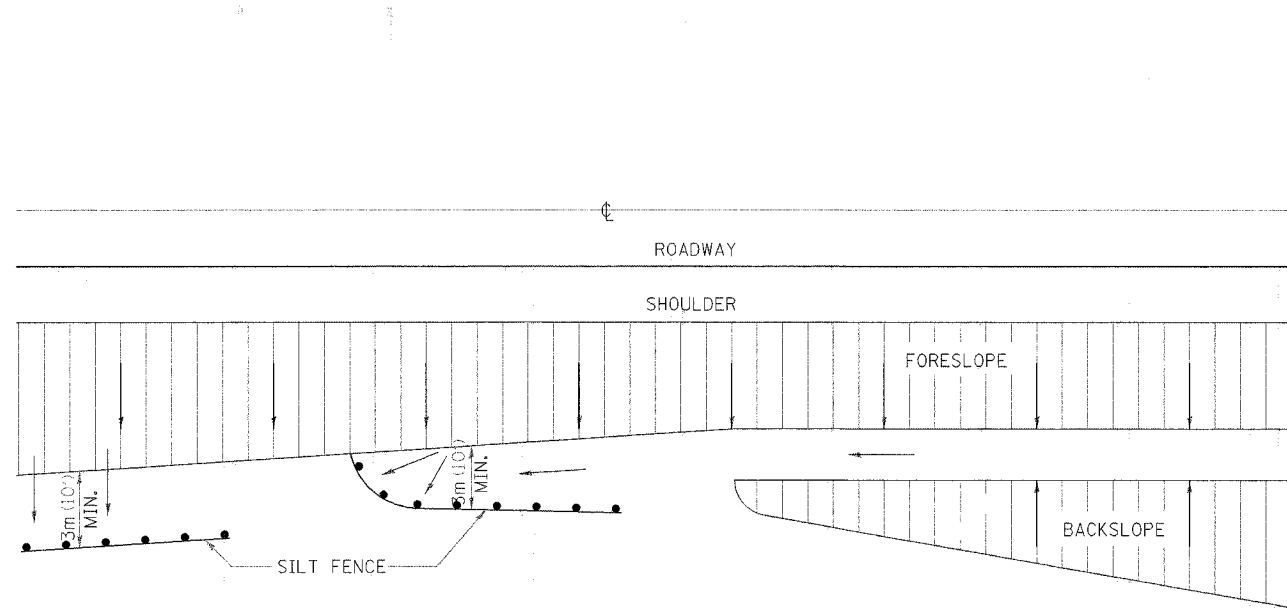


F.A.I. RT.:	SECTION	COUNTY	TOTAL SHEETS	SHEET NO.
I-80	(06-4HB-1)Q	BUREAU	32	29
STA.	TO STA.			
FED. ROAD DIST. NO.	(ILLINOIS)	FED. AID PROJECT		

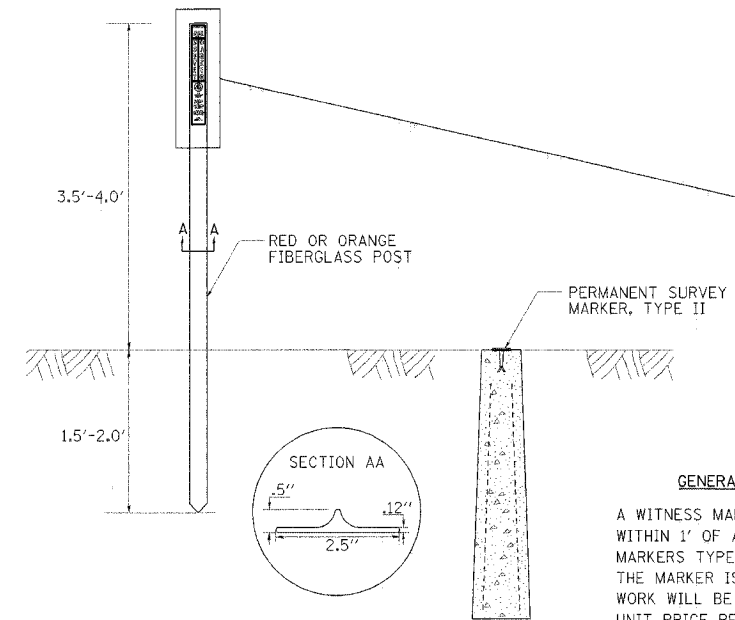
EROSION CONTROL DETAILS FOR SILT FENCE



DETAILS OF SILT FENCE

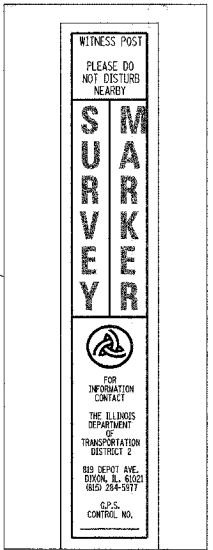
ALL DIMENSIONS ARE IN MILLIMETERS (INCHES) UNLESS OTHERWISE NOTED.

WITNESS MARKER FOR PERMANENT SURVEY MARKERS TYPE II



GENERAL NOTES

A WITNESS MARKER SHALL BE INSTALLED WITHIN 1' OF ALL PERMANENT SURVEY MARKERS TYPE II EXCEPT IN AREAS WHERE THE MARKER IS IN THE SIDEWALK. THIS WORK WILL BE INCLUDED TO THE CONTRACT UNIT PRICE PER EACH FOR PERMANENT SURVEY MARKERS, TYPE II.



WITNESS MARKER FOR PERMANENT SURVEY MARKERS TYPE II 38.4

REVISED 1-31-00

PLOT DATE = 2/8/2005
FILE NAME = #FILEL4
DRAWING NO. = #REF4
REFERENCE = #REF4