

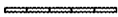



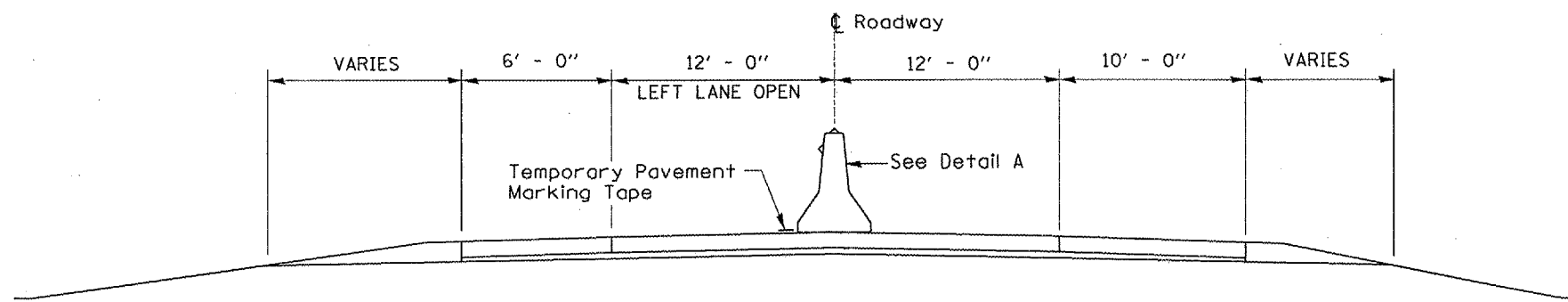


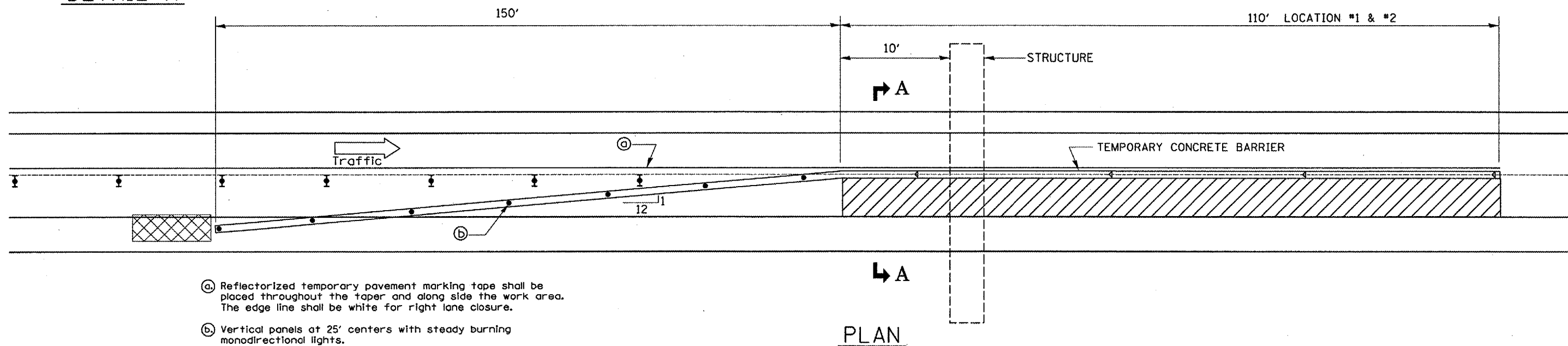
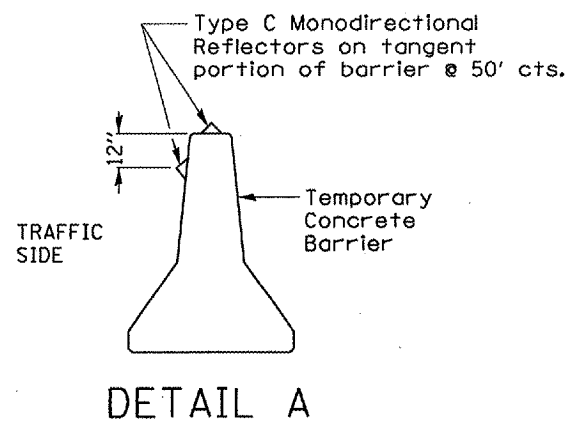
F.A.I. RTE.	SECTION	COUNTY	TOTAL SHEETS	SHEET NO.
55	D-3 BRIDGE PAINTING 2006-1	LIVINGSTON & GRUNDY	12	5
ILLINOIS			STATE AID PROJECT	

**LENGEND**

-  Work Zone
-  Type II barricade, drum or vertical barricade with steady burn monodirectional light
-  Temporary concrete barrier
-  Type C Monodirectional reflector
-  Vertical panel with steady burn monodirectional light
-  Impact attenuator



**SECTION A-A**



- (a) Reflectorized temporary pavement marking tape shall be placed throughout the taper and along side the work area. The edge line shall be white for right lane closure.
- (b) Vertical panels at 25' centers with steady burning monodirectional lights.

**PLAN**

Work this sheet with Traffic Control Standards 701400 & 701402

REVISIONS	
NAME	DATE

ILLINOIS DEPARTMENT OF TRANSPORTATION  
**TRAFFIC CONTROL DETAILS**  
**RIGHT LANE CLOSURE**

SCALE: VERT.  
HORIZ.  
DATE 01/19/06

DRAWN BY RW  
CHECKED BY