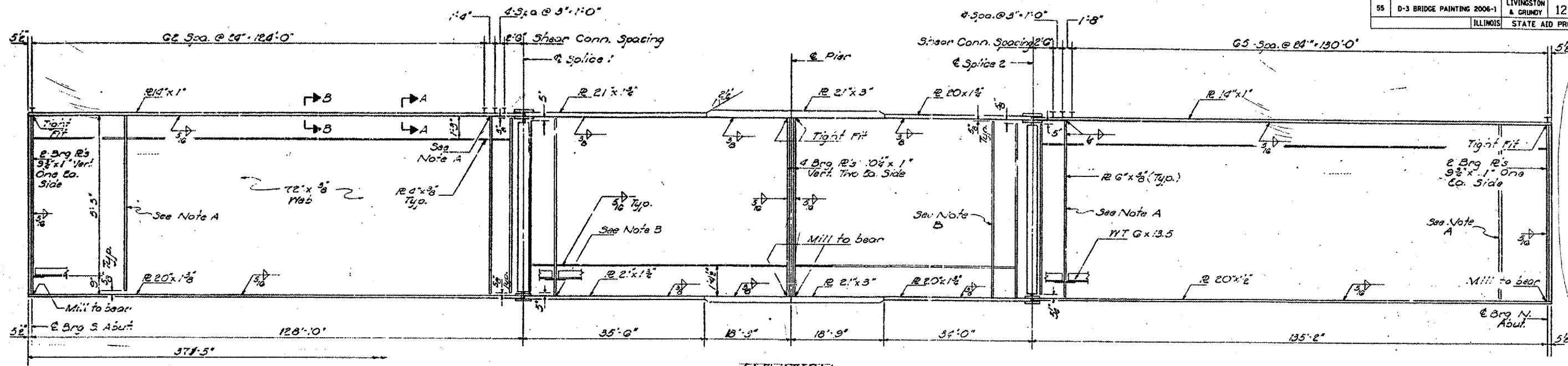
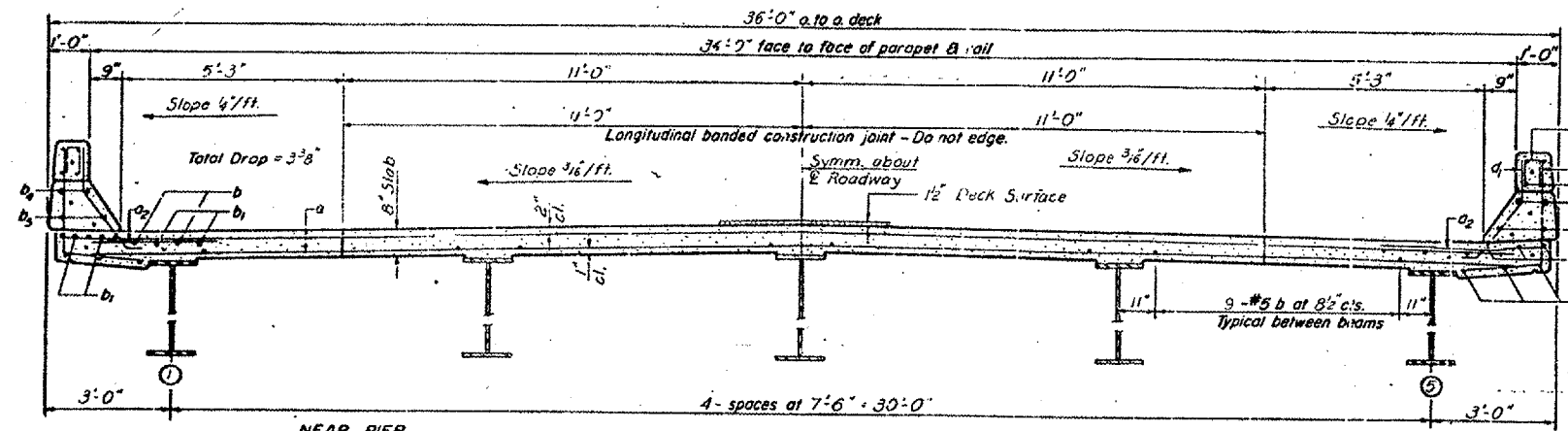
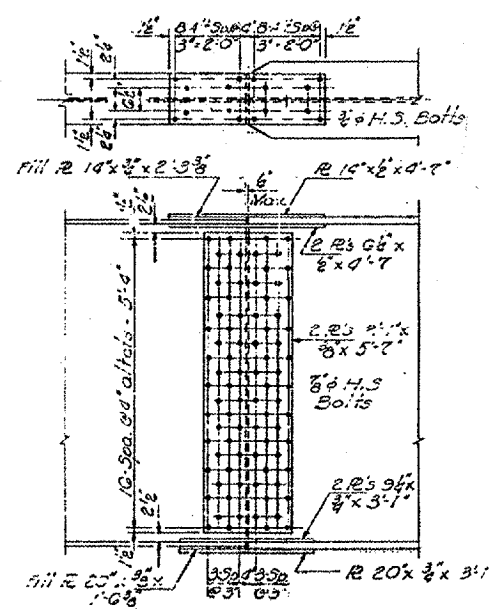


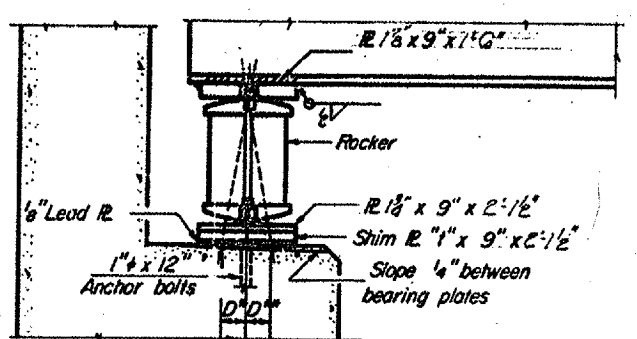
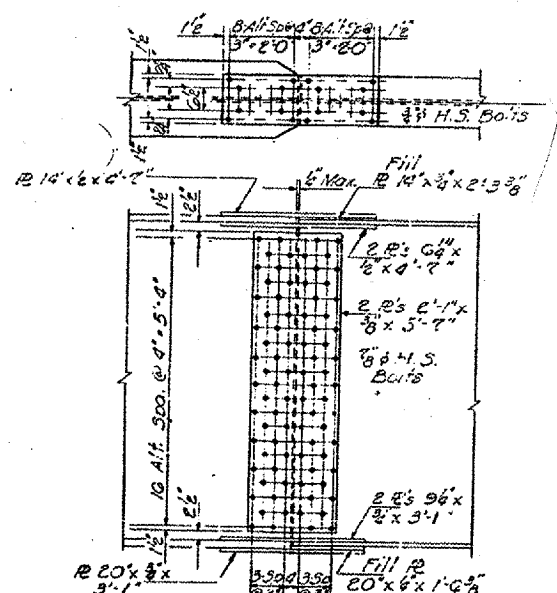
F.A.I. RTE.	SECTION	COUNTY	TOTAL SHEET NO.
55	D-3 BRIDGE PAINTING 2006-1	LIVINGSTON & GRUNDY	12 9
ILLINOIS STATE AID PROJECT			



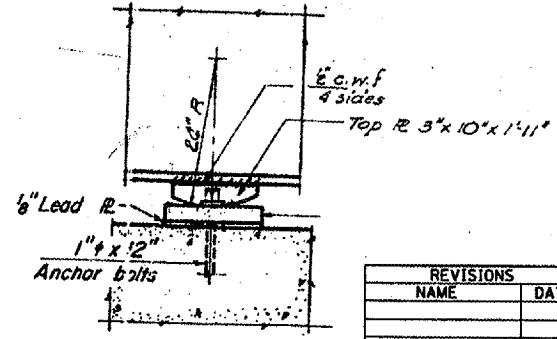
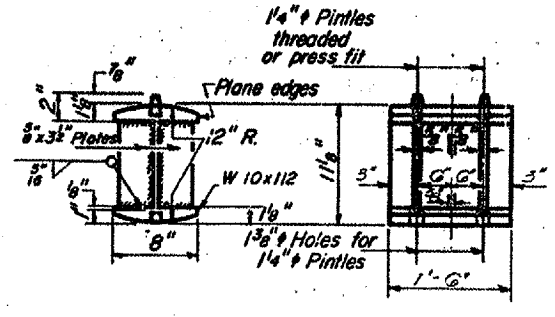
ELEVATION



CROSS SECTION (LOOKING NORTH)



ROCKER



REVISIONS	
NAME	DATE

ILLINOIS DEPARTMENT OF TRANSPORTATION  
**EXISTING STRUCTURE PLANS FOR INFORMATION ONLY**  
**BRIDGE NO. 1**  
**S.N. 053-0119**  
 SCALE: VERT. \_\_\_\_\_  
 HORIZ. \_\_\_\_\_  
 DATE 01/19/06  
 DRAWN BY RW  
 CHECKED BY \_\_\_\_\_

Date: 01/19/06  
 File: cr/projects/bridgepaint06/2006-1/details.dgn