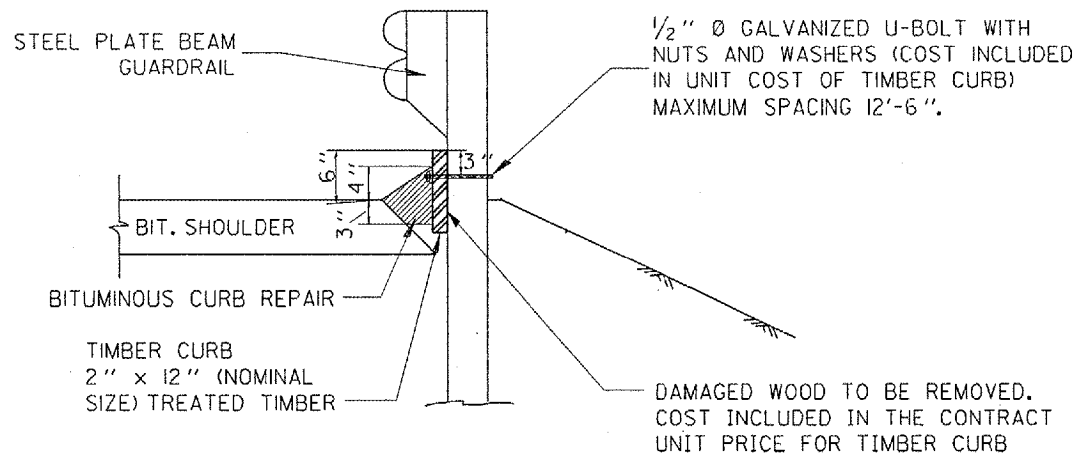
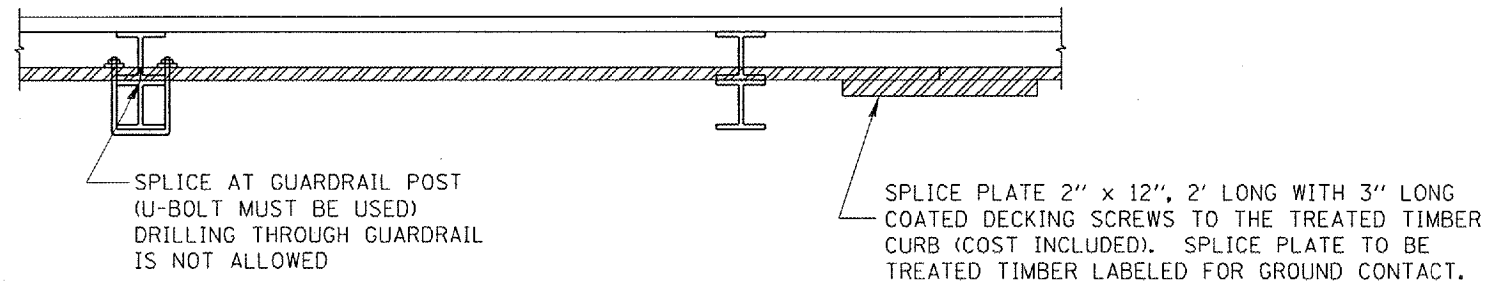


F. & R.	SECTION	COUNTY	TOTAL SHEETS	SHEET NO.
VAR.	•	VAR.	15	8
STA.	TO STA.			
FED. ROAD DIST. NO.	RLINES	FED. AID PROJECT		

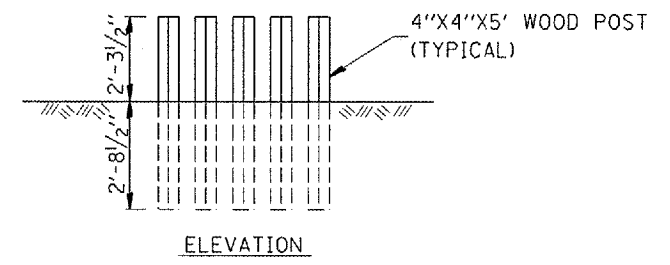
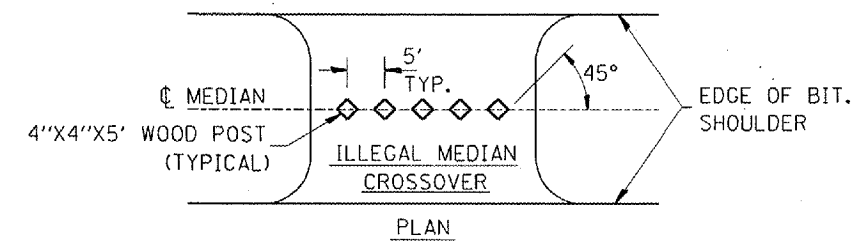
• D-3 HIGHWAY DAMAGE REPAIR 2005  
CONTRACT #66636



**SIDE VIEW**



**TOP VIEW**



**GUARD POST DETAIL**

**NOTE:**  
THE TIMBER CURB SHALL BUTT TOGETHER AT THE GUARDRAIL POST OR SPLICED AS SHOWN ON THE DETAIL.  
THE TIMBER CURB SHALL BE COMMERCIALY AVAILABLE TREATED LUMBER, LABELED FOR GROUND CONTACT.  
THE PRICE FOR TIMBER CURB SHALL INCLUDE THE U-BOLTS ATTACHING THE TREATED TIMBER TO THE GUARDRAIL POSTS, TREATED TIMBER, AND REMOVING DAMAGED LUMBER.  
BITUMINOUS CURB REPAIR SHALL BE MEASURED AND PAID FOR AT THE CONTRACT UNIT PRICE PER FOOT.  
BITUMINOUS CURB REPAIR SHALL BE IN ACCORDANCE WITH SECTION 408 OF THE STANDARD SPECIFICATIONS.

**TIMBER CURB & BITUMINOUS CURB REPAIR**

REVISIONS	
NAME	DATE

ILLINOIS DEPARTMENT OF TRANSPORTATION

**DETAILS**