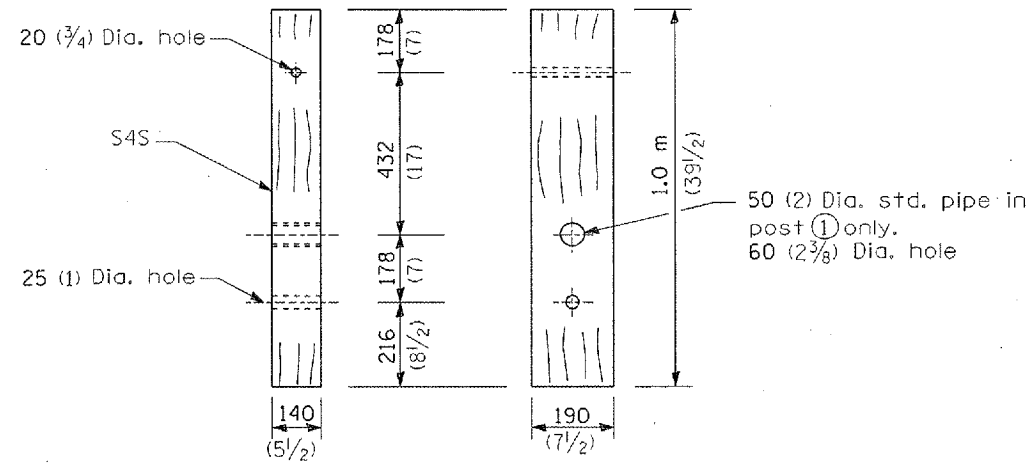
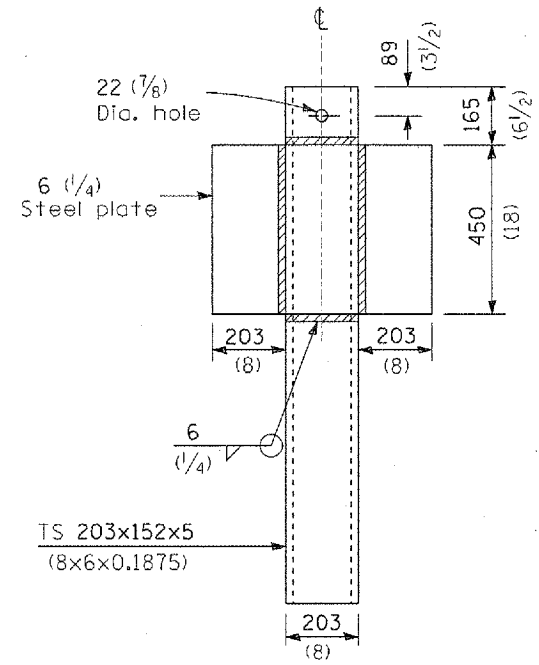


PLAN	SECTION	COUNTY	TOTAL SHEETS	SHEET NO.
VAR.	*	VAR.	15	10
STA.	TO STA.			
FED. ROAD DIST. NO.	ILLINOIS	FED. ROAD PROJECT		

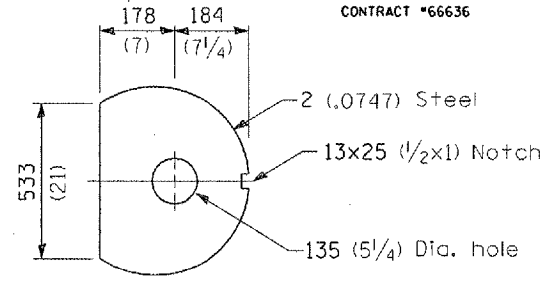
• D-3 HIGHWAY DAMAGE REPAIR 2005  
CONTRACT #66636



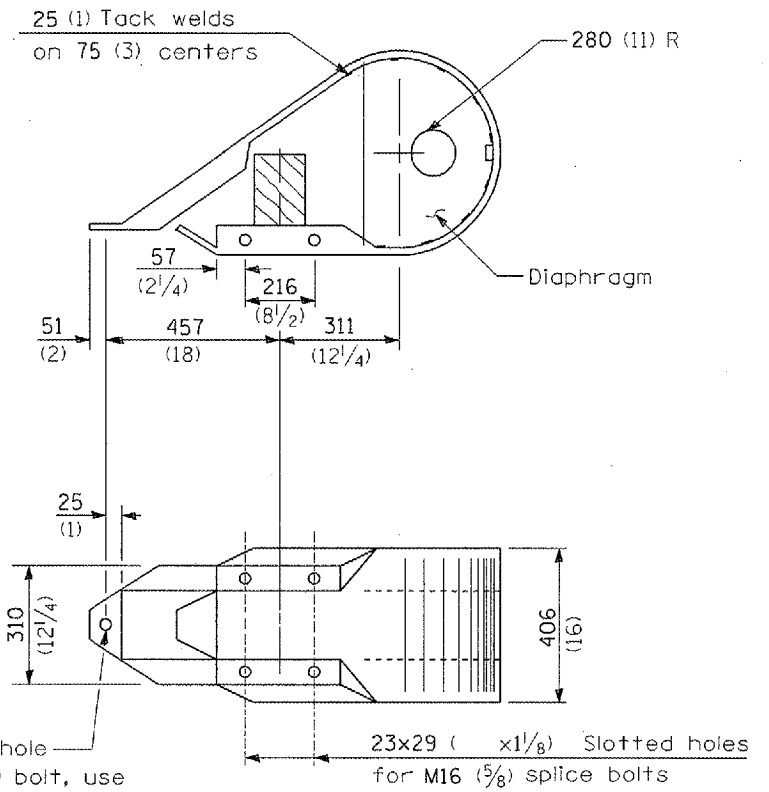
WOOD BREAKAWAY POST  
(2 ea.)



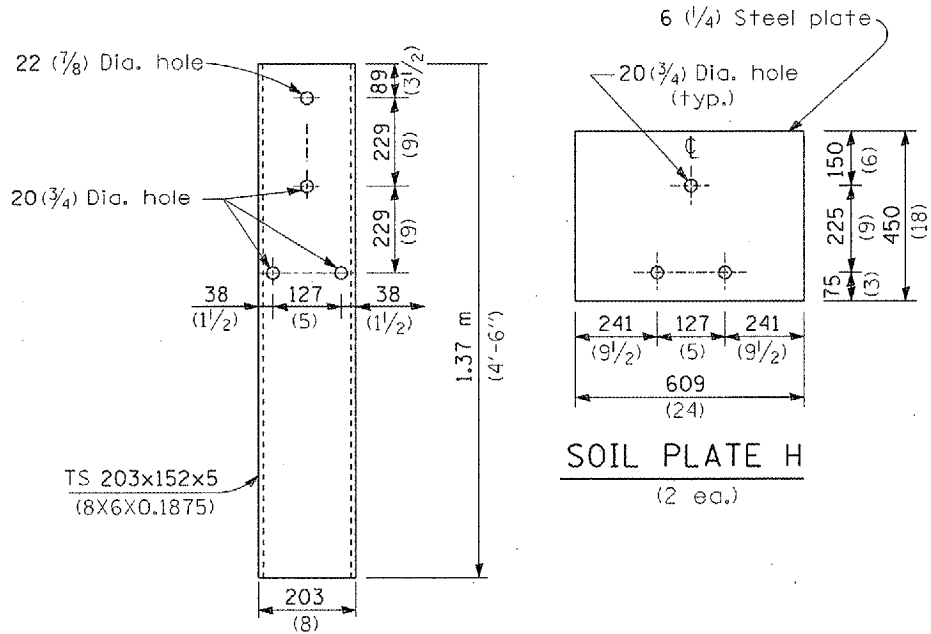
ALTERNATE SOIL PLATE CONNECTION



DIAPHRAGM  
(2 ea.)

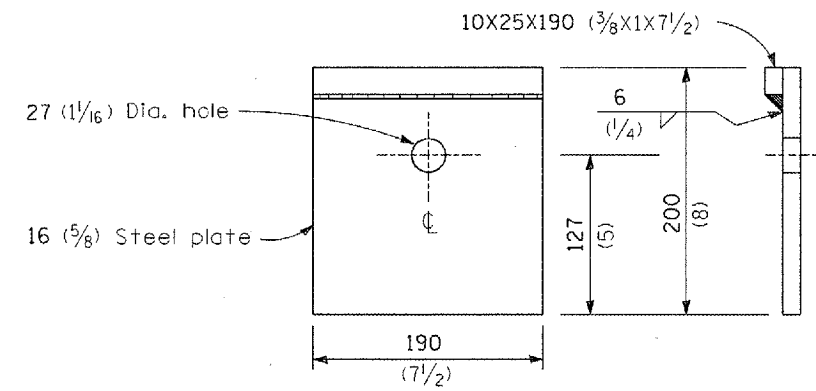


NOSE  
(1 ea.)



STEEL TUBE  
(2 ea.)

SOIL PLATE H  
(2 ea.)



BEARING PLATE K  
(1 ea.)

All dimensions are in millimeters (inches) unless otherwise shown.

**DETAIL INCLUDED FOR REPAIR ONLY**

REVISIONS	
NAME	DATE

ILLINOIS DEPARTMENT OF TRANSPORTATION  
**TRAFFIC BARRIER TERMINAL TYPE 1**  
STANDARD B.L.R. 23

2/14/2006 c:\pcc\sect\sect\ed00606\detail.s.dgn