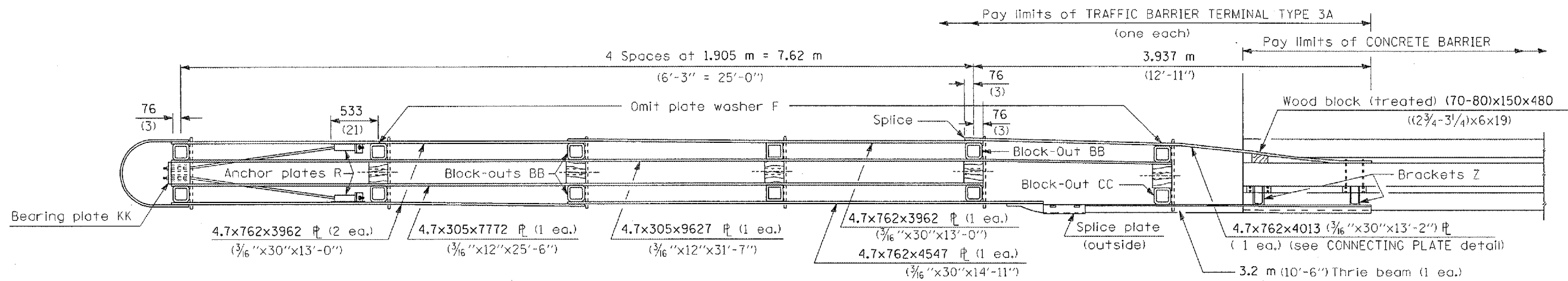
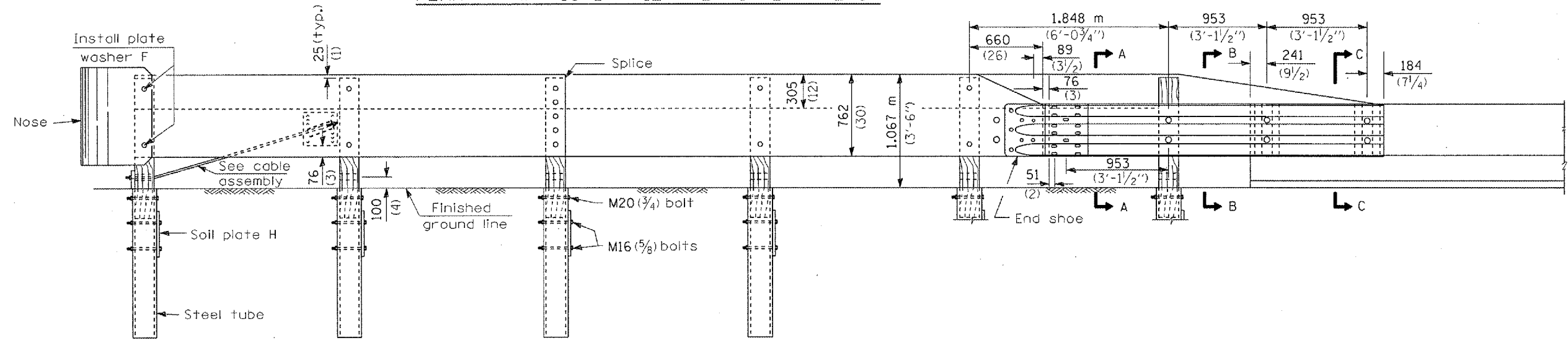


SECTION	COUNTY	TOTAL SHEETS	SHEET NO.
VAR.	VAR.	15	12
STA. TO STA.		FED. ROAD DIST. NO.	
FED. ROAD DIST. NO.		FED. AID PROJECT	

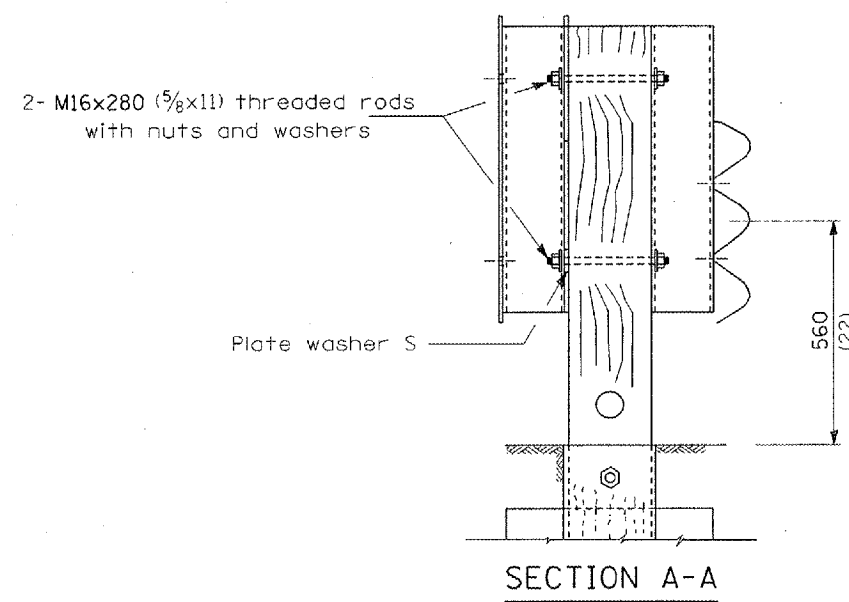
D-3 HIGHWAY DAMAGE REPAIR 2005  
CONTRACT #66636



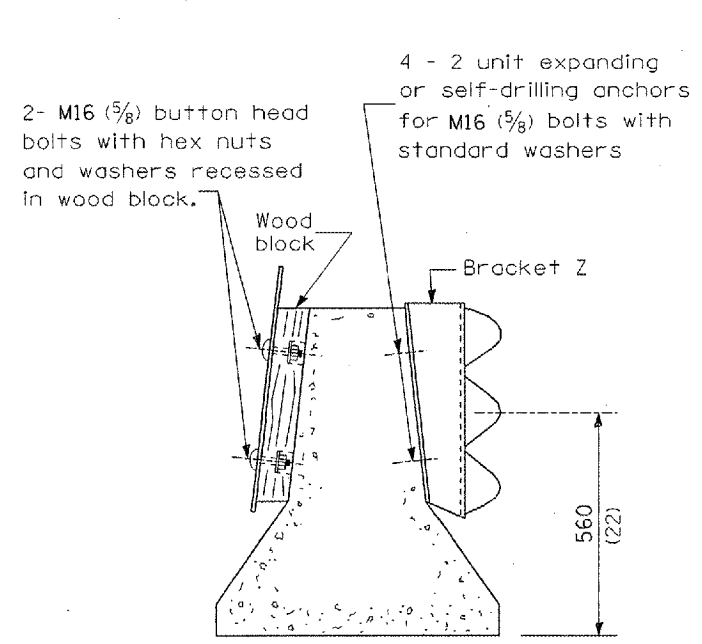
PLAN - TRAFFIC BARRIER TERMINAL TYPE 3A



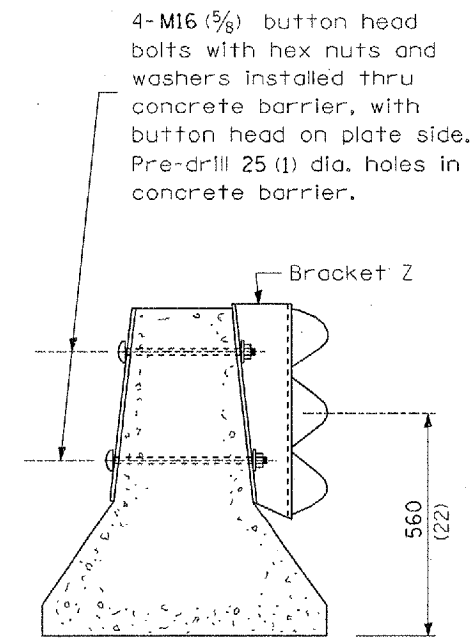
ELEVATION



SECTION A-A



SECTION B-B



SECTION C-C

**DETAIL INCLUDED FOR REPAIR ONLY**

All dimensions are in millimeters (inches) unless otherwise shown.

ILLINOIS DEPARTMENT OF TRANSPORTATION  
**TRAFFIC BARRIER TERMINAL TYPE 3 & 3A**

REVISIONS	
NAME	DATE

2/14/2006 C:\p\proj\scrs\ed00e06\draft\1.s.dgn