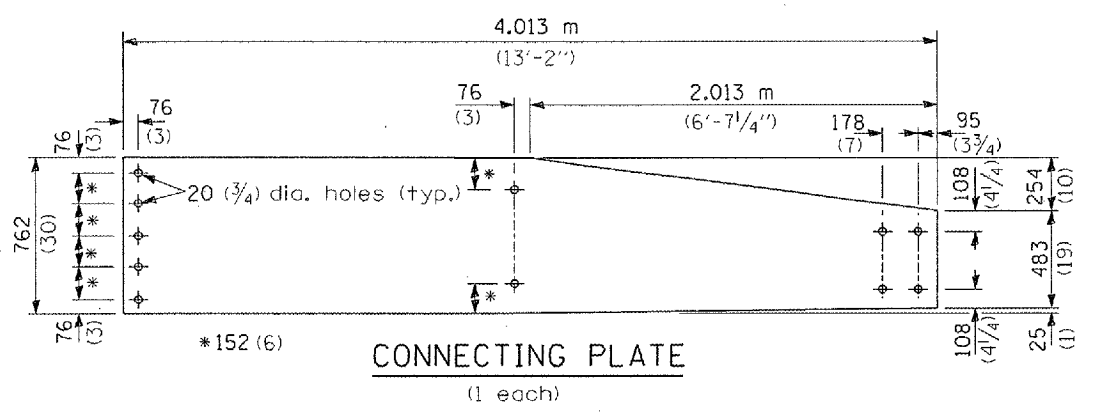
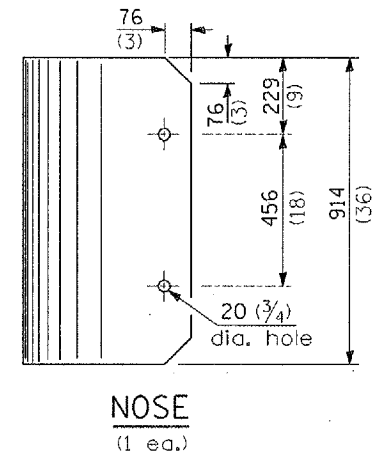
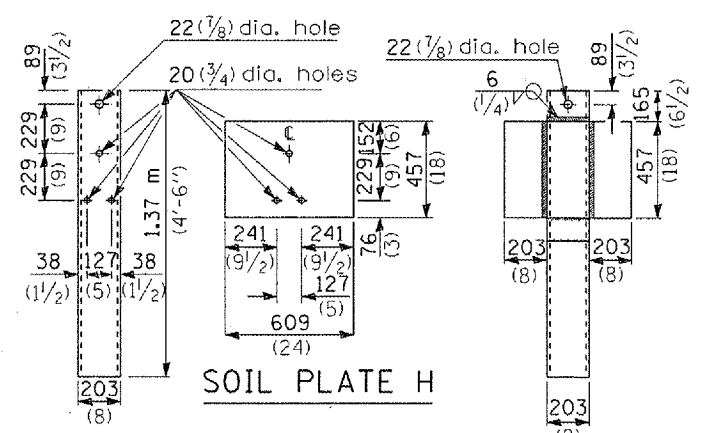
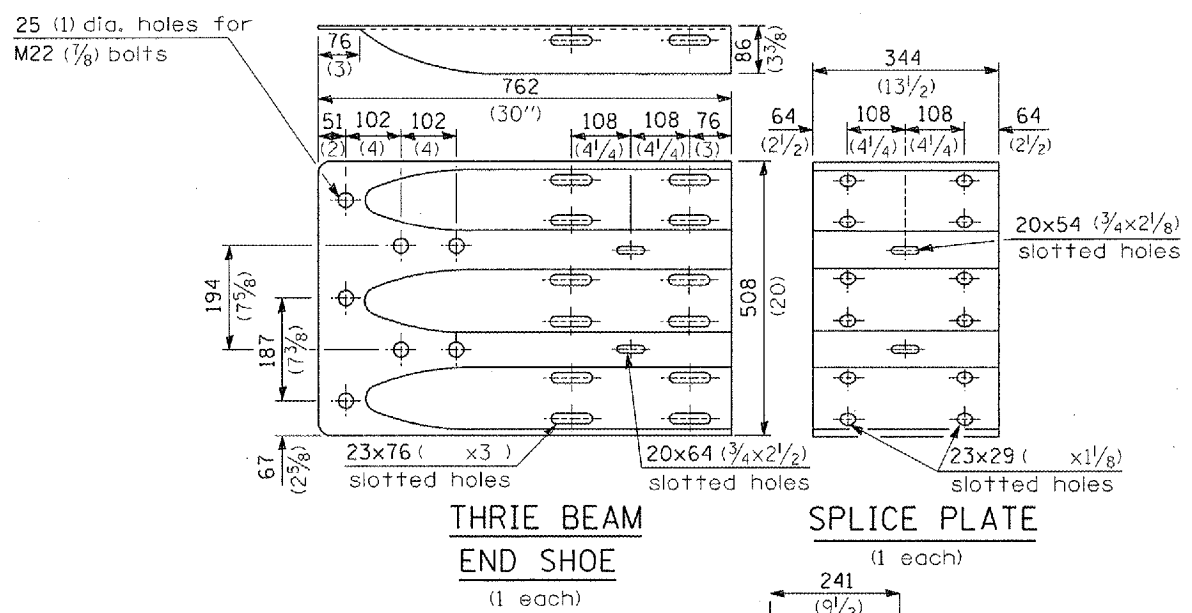
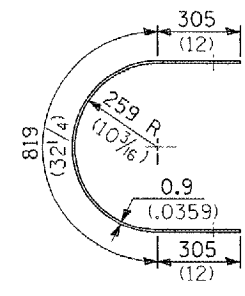
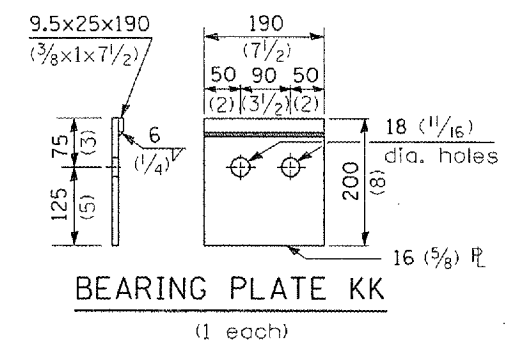


F.A. REC.	SECTION	COUNTY	TOTAL SHEETS	SHEET NO.
VAR.	*	VAR.	15	13
STA.	TO STA.			
FED. ROAD DIST. NO.	ILLINOIS	FED. AID PROJECT		
* D-3 HIGHWAY DAMAGE REPAIR 2005				
CONTRACT #66636				

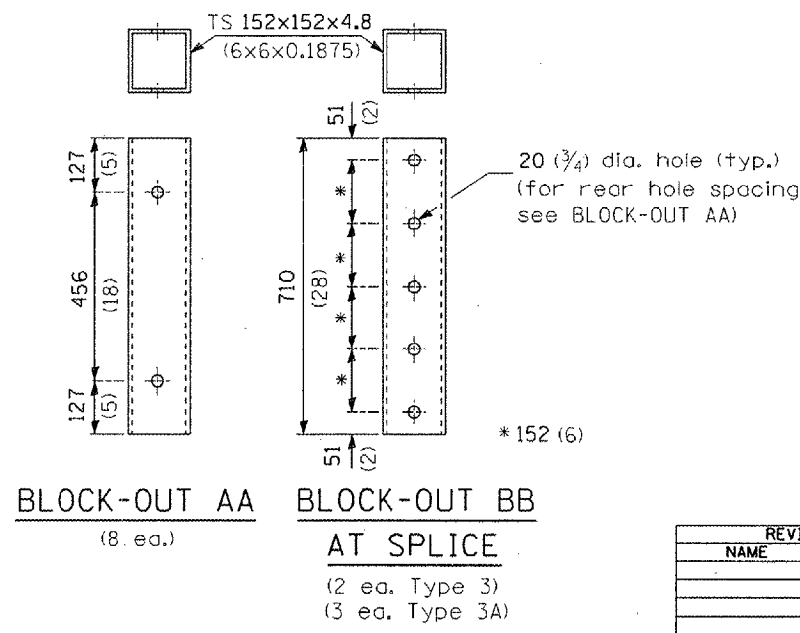
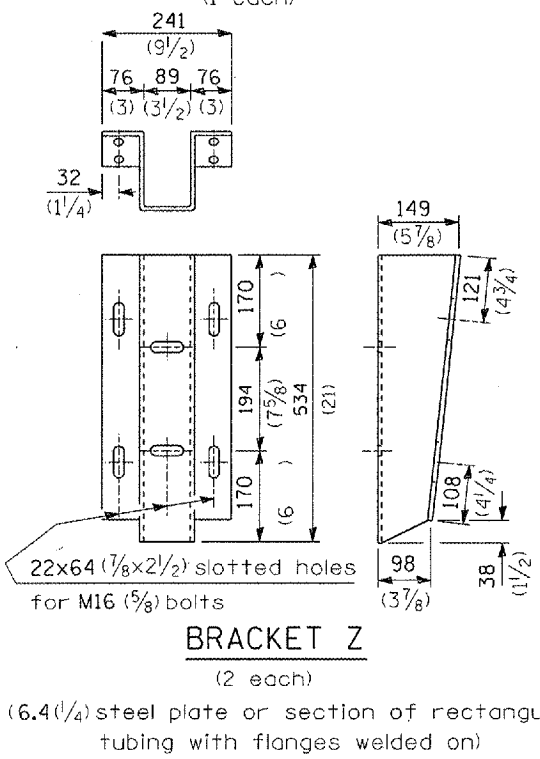
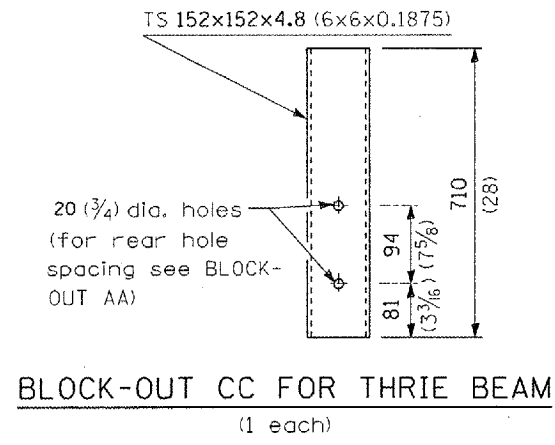
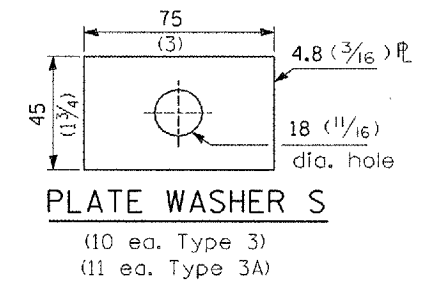
TYPE 3A ONLY



TYPE 3 & 3A



STEEL TUBE
TS 203x203x4.8 (8x8x0.1875) (end terminal post) (1 ea.)
TS 203x152x4.8 (8x6x0.1875) (terminal post) (4 ea. Type 3)
(5 ea. Type 3A)



DETAIL INCLUDED FOR REPAIR ONLY

All dimensions are in millimeters (inches) unless otherwise shown.

ILLINOIS DEPARTMENT OF TRANSPORTATION

TRAFFIC BARRIER TERMINAL TYPE 3 & 3A

REVISIONS	
NAME	DATE

2/14/2006 c:\proj\lects\led00606\deta11s.dgn