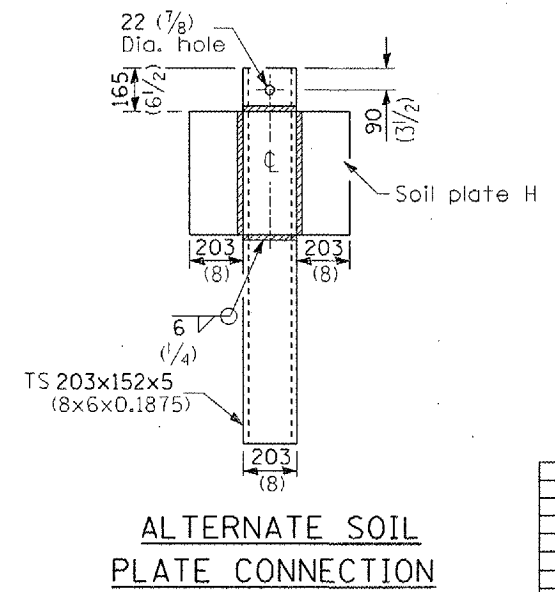
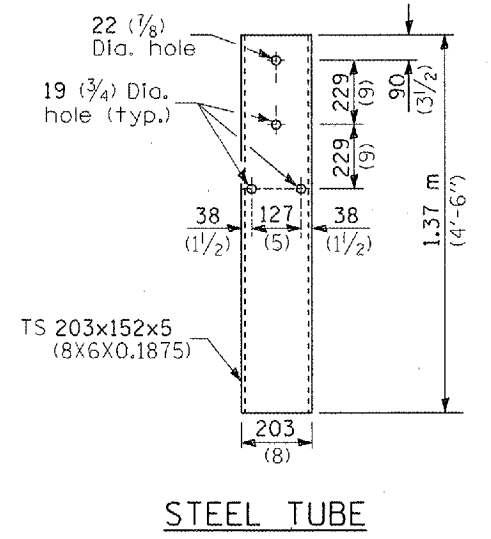
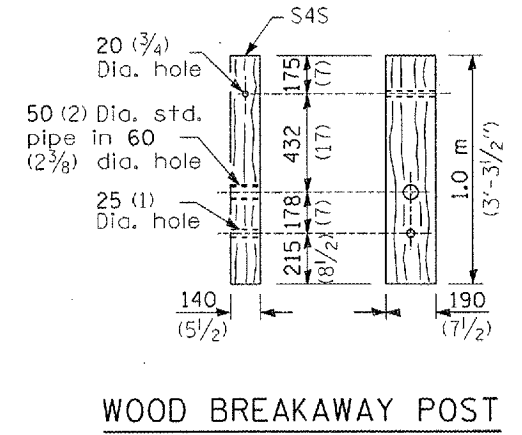
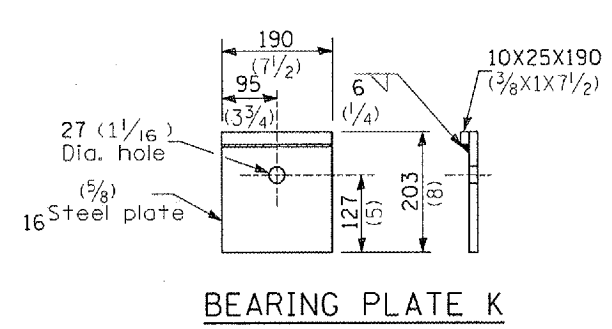
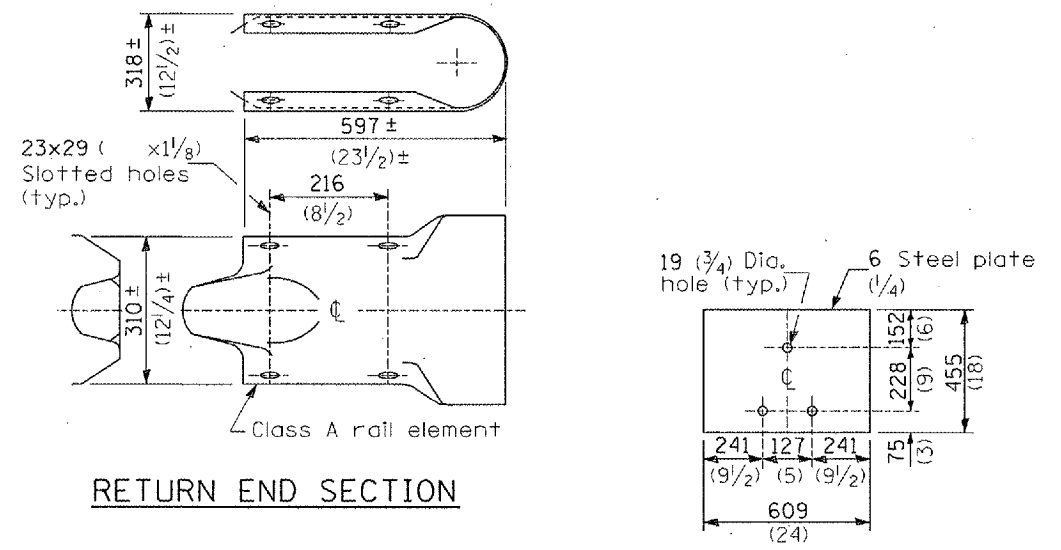
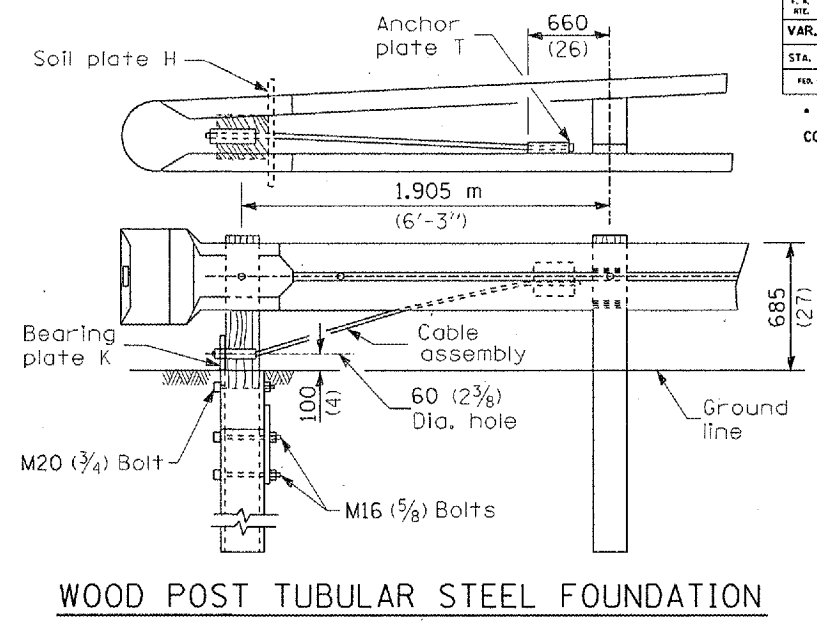
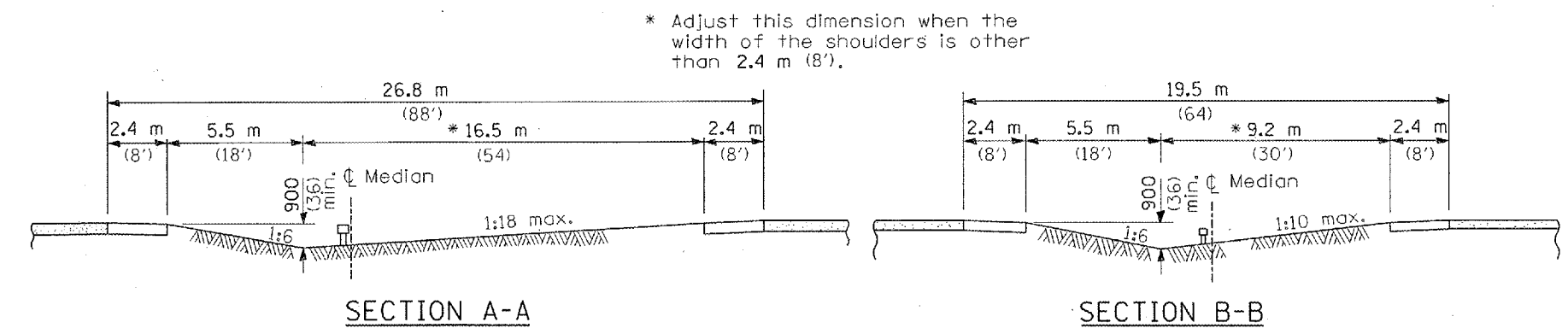
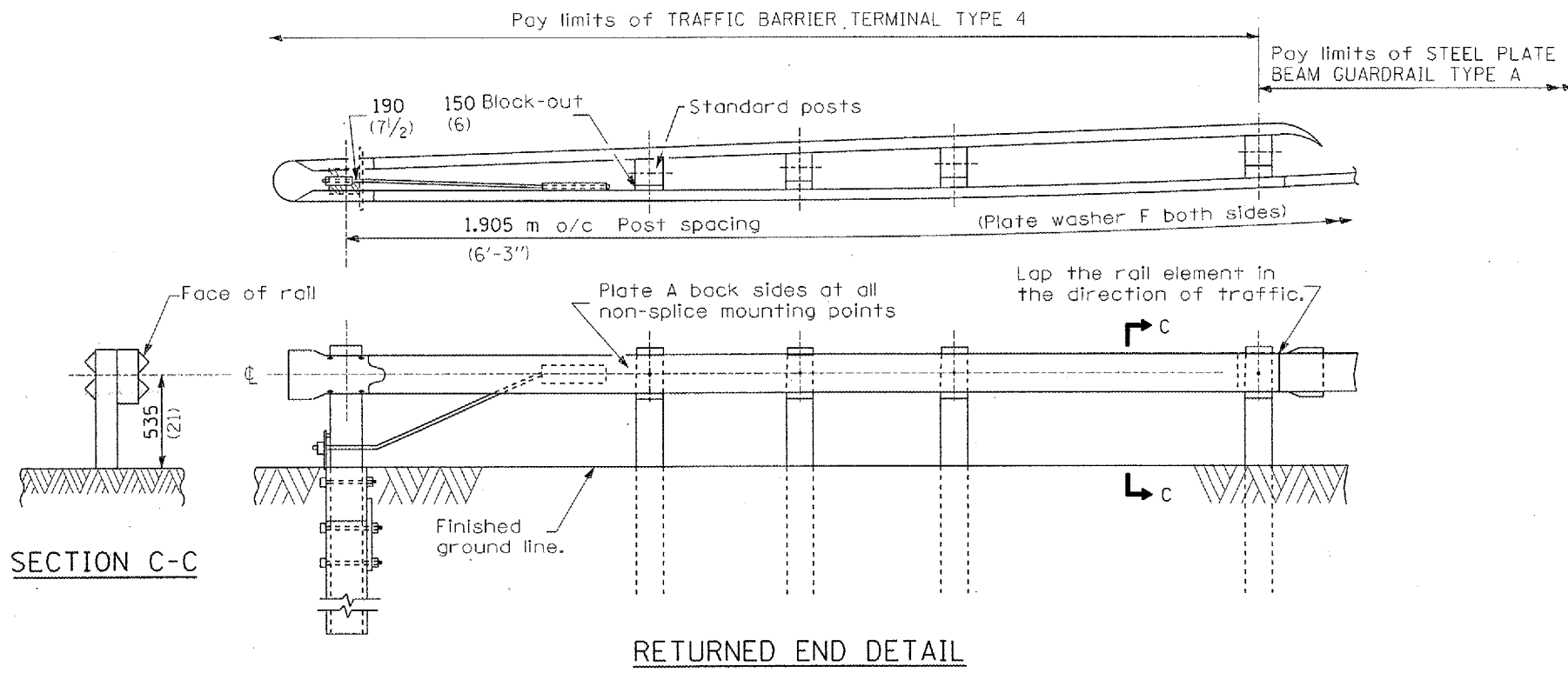


F. A. ATE.	SECTION	COUNTY	TOTAL SHEETS	SHEET NO.
VAR.	*	VAR.	15	15
STA.	TO STA.			
FED. ROAD DIST. NO.	ILLINOIS	FED. AID PROJECT		
* D-3 HIGHWAY DAMAGE REPAIR 2005				
CONTRACT #66636				



DETAIL INCLUDED FOR REPAIR ONLY

All dimensions are in millimeters (inches) unless otherwise shown.

REVISIONS	
NAME	DATE

ILLINOIS DEPARTMENT OF TRANSPORTATION

TRAFFIC BARRIER TERMINAL TYPE 4

2/14/2006 c:\pro\lectrs\led00606\det-011s.dgn