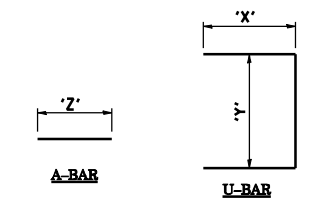
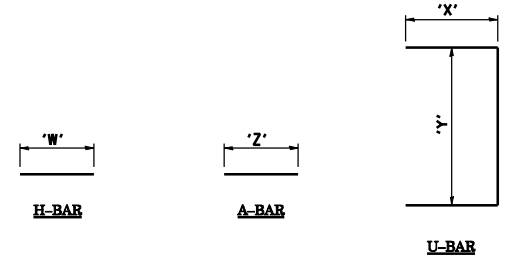
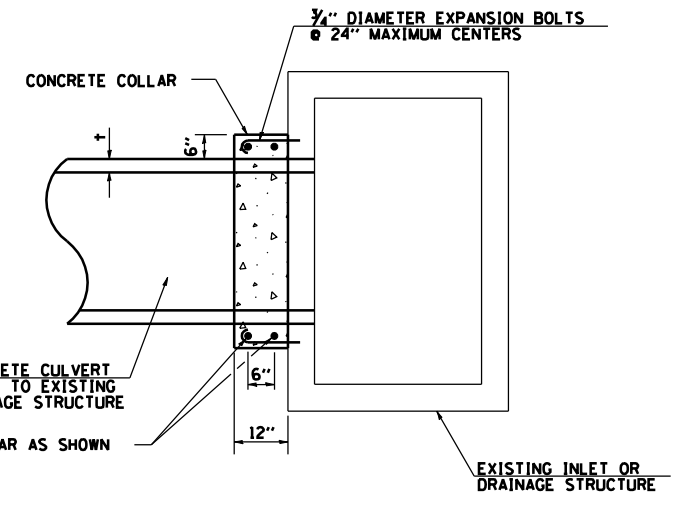
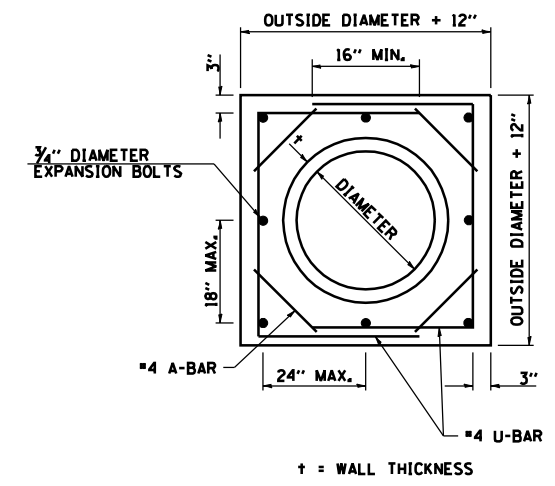
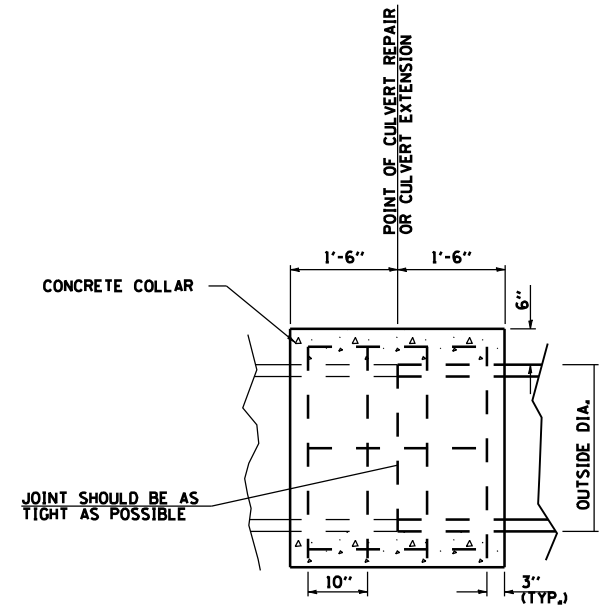
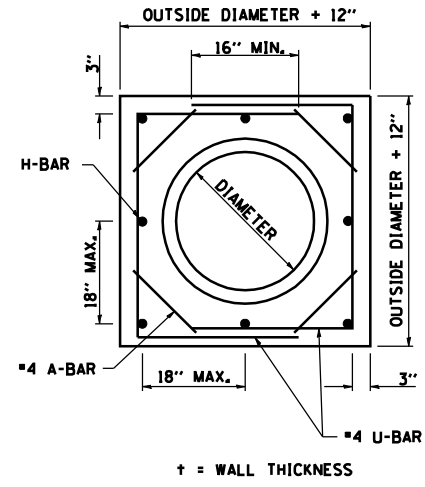


RTE.	SECTION	COUNTY	TOTAL SHEETS	SHEET NO.
•	RS, R	••	302	158

FED. ROAD DIST. NO. ILLINOIS FED. AID PROJECT
 • FAU 8239, FAS 1767, FAS 1766 & SBI 16 (OLD US 66)
 •• MONTGOMERY & MACOUPIN COUNTIES

CONTRACT NO. 72526



LOCATION	PIPE SIZE DIA. IN.	COLLAR DIMENSIONS		A-BAR		U-BAR			H-BAR		CLASS "SI" CONCRETE CU.YD.	REINFORCEMENT BARS POUND	TREATMENT
		WIDTH IN.	HEIGHT IN.	NO.	'Z' IN.	NO.	'X' IN.	'Y' IN.	NO.	'W' IN.			
FAU 8239 (OLD US 66)													
752+98.20	24	42	42	16	16	8	26	36	12	30	0.82	74	PIPE EXTENSION
758+23.10	24	42	42	16	16	8	26	36	12	30	0.82	74	PIPE EXTENSION
FAS 1766 (OLD US 66)													
1150+46.00	36	56	56	16	26	8	33	50	12	30	1.25	95	CULVERT REPAIR
1176+02.70	24	42	42	16	16	8	26	36	12	30	0.82	74	ADD END SECTION
1215+36.00	30	49	49	16	18	8	30	43	12	30	1.02	82	CULVERT REPAIR
1278+30.70	24	42	42	16	16	8	26	36	12	30	0.82	74	CULVERT REPAIR
IL ROUTE 138													
115+00.00	24	42	42	16	16	8	26	36	12	30	0.82	74	PIPE EXTENSION
SBI 16 (OLD US 66)													
1153+42.20	24	42	42	16	16	8	26	36	12	30	0.82	74	ADD END SECTION
1153+97.90	24	42	42	16	16	8	26	36	12	30	0.82	74	ADD END SECTION
1154+19.40	24	42	42	16	16	8	26	36	12	30	0.82	74	ADD END SECTION
1154+63.40	24	42	42	16	16	8	26	36	12	30	0.82	74	ADD END SECTION

CONCRETE COLLAR FOR PIPE CULVERT REPAIR
OR PIPE CULVERT EXTENSION

LOCATION	PIPE SIZE DIA. IN.	COLLAR DIMENSIONS		A-BAR		U-BAR		CLASS "SI" CONCRETE CU.YD.	REINFORCEMENT BARS POUND	3/4" EXPANSION BOLTS EACH
		WIDTH IN.	HEIGHT IN.	'Z' IN.	'X' IN.	'Y' IN.				
FAS 1767 (OLD US 66)										
860+47.40	15	31.5	31.5	18	21	25.5	0.18	24	8	
881+62.50	12	26	26	16	18	20	0.14	20	4	
900+53.40	12	26	26	16	18	20	0.14	20	4	

CONCRETE COLLAR FOR CONNECTION
TO EXISTING DRAINAGE STRUCTURE

REVISIONS	
NAME	DATE

ILLINOIS DEPARTMENT OF TRANSPORTATION
SPECIAL DRAINAGE DETAILS

DATE 2/8/2006
DRAWN BY
CHECKED BY