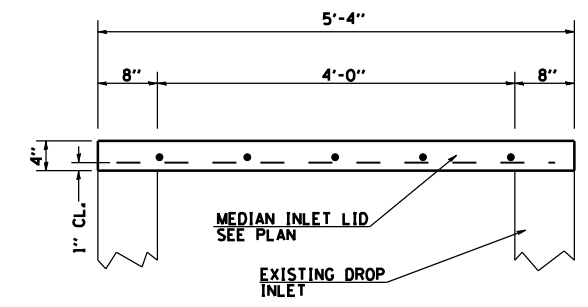
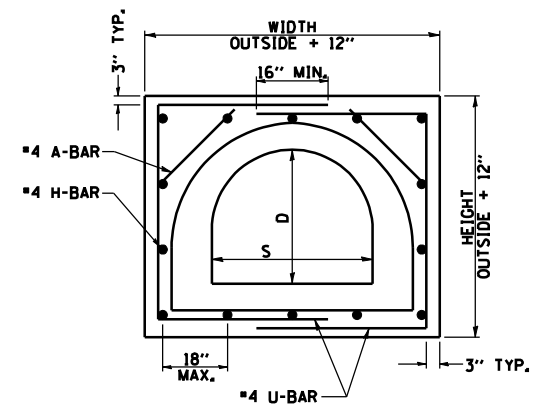
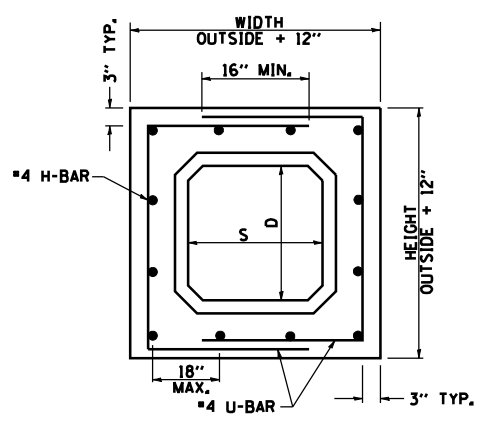


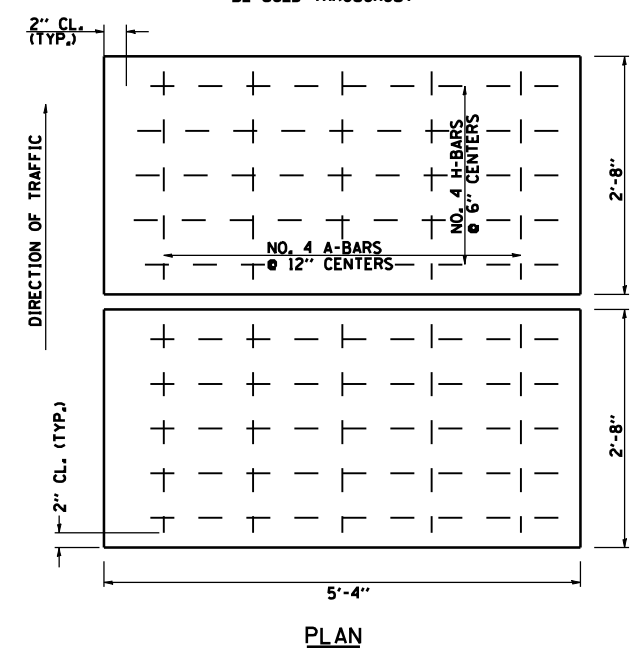
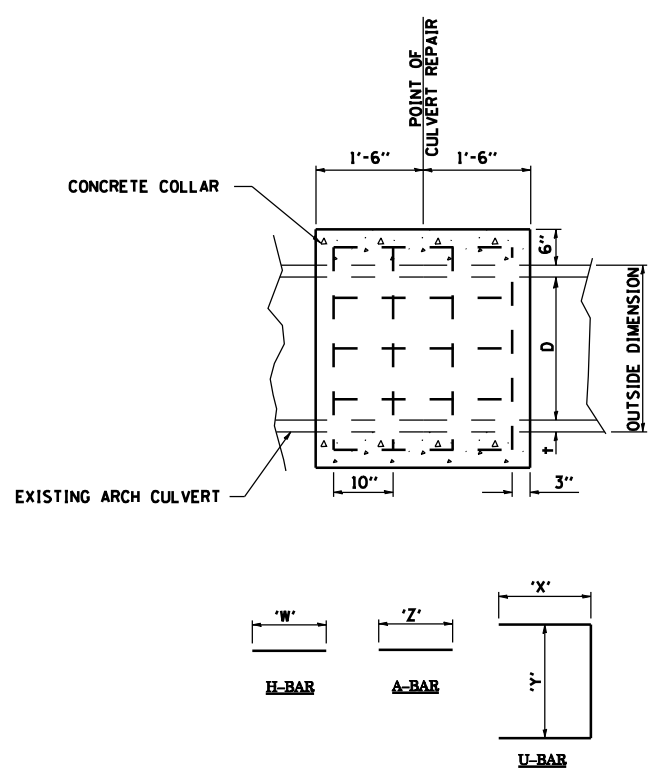
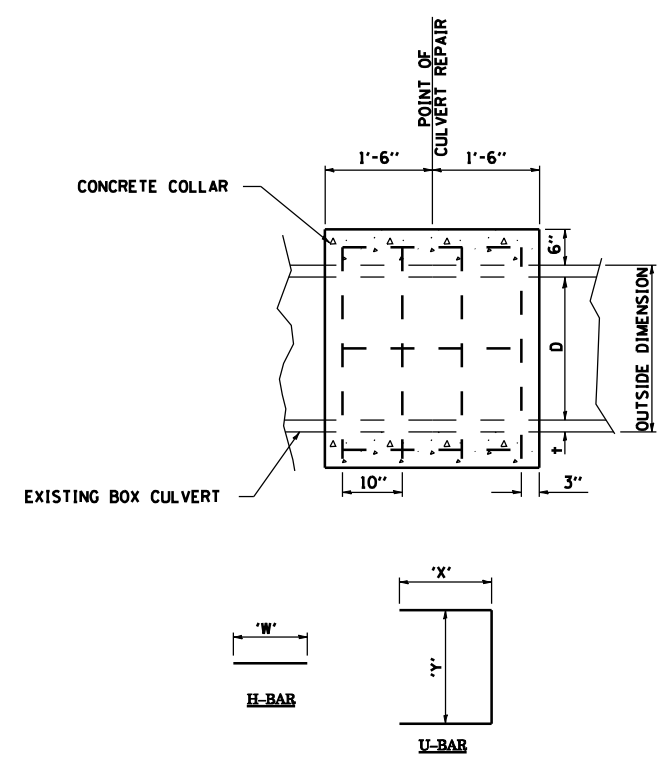
RTE.	SECTION	COUNTY	TOTAL SHEETS	SHEET NO.
•	RS, R	••	302	159
FED. ROAD DIST. NO.		ILLINOIS	FED. AID PROJECT	
• FAU 8239, FAS 1767, FAS 1766 & SBI 16 (OLD US 66) •• MONTGOMERY & MACOUPIN COUNTIES				

CONTRACT NO. 72526



PARTIAL SECTION

NOTE: CLASS SI CONCRETE SHALL BE USED THROUGHOUT



PLAN

BAR	NO.	LENGTH	CLASS SI CONCRETE CU YD	REINFORCEMENT BARS LBS.
a	10	2'-4"	0.35	49
h	10	5'-0"		

MEDIAN INLET LID DETAIL

STA 738+98 STA 870+25
STA 880+18 STA 881+62
STA 1109+09 STA 1121+65

LOCATION	EXISTING CULVERT SIZE		COLLAR DIMENSIONS		H-BAR		U-BAR			CLASS "SI" CONCRETE CU.YD.	REINFORCEMENT BARS POUND
	S	D	WIDTH	HEIGHT	NO.	'W'	NO.	'X'	'Y'		
FAS 1766 (OLD US 66)											
1109+09											
	2'	2'	44	44	12	30	8	27	38	0.70	61

CONCRETE COLLAR DETAILS FOR BOX CULVERT REPAIR

LOCATION	EXISTING CULVERT SIZE		COLLAR DIMENSIONS		A-BAR		H-BAR		U-BAR			CLASS "SI" CONCRETE CU.YD.	REINFORCEMENT BARS POUND
	S	D	WIDTH	HEIGHT	NO.	'Z'	NO.	'W'	NO.	'X'	'Y'		
FAS 1766 (OLD US 66)													
981+92													
	3'	2.5'	66	54	8	23	14	30	8	38	48	1.3	89

CONCRETE COLLAR DETAILS FOR ARCH CULVERT REPAIR

REVISIONS	
NAME	DATE

ILLINOIS DEPARTMENT OF TRANSPORTATION

SPECIAL DRAINAGE DETAILS

DATE 2/8/2006
DRAWN BY
CHECKED BY