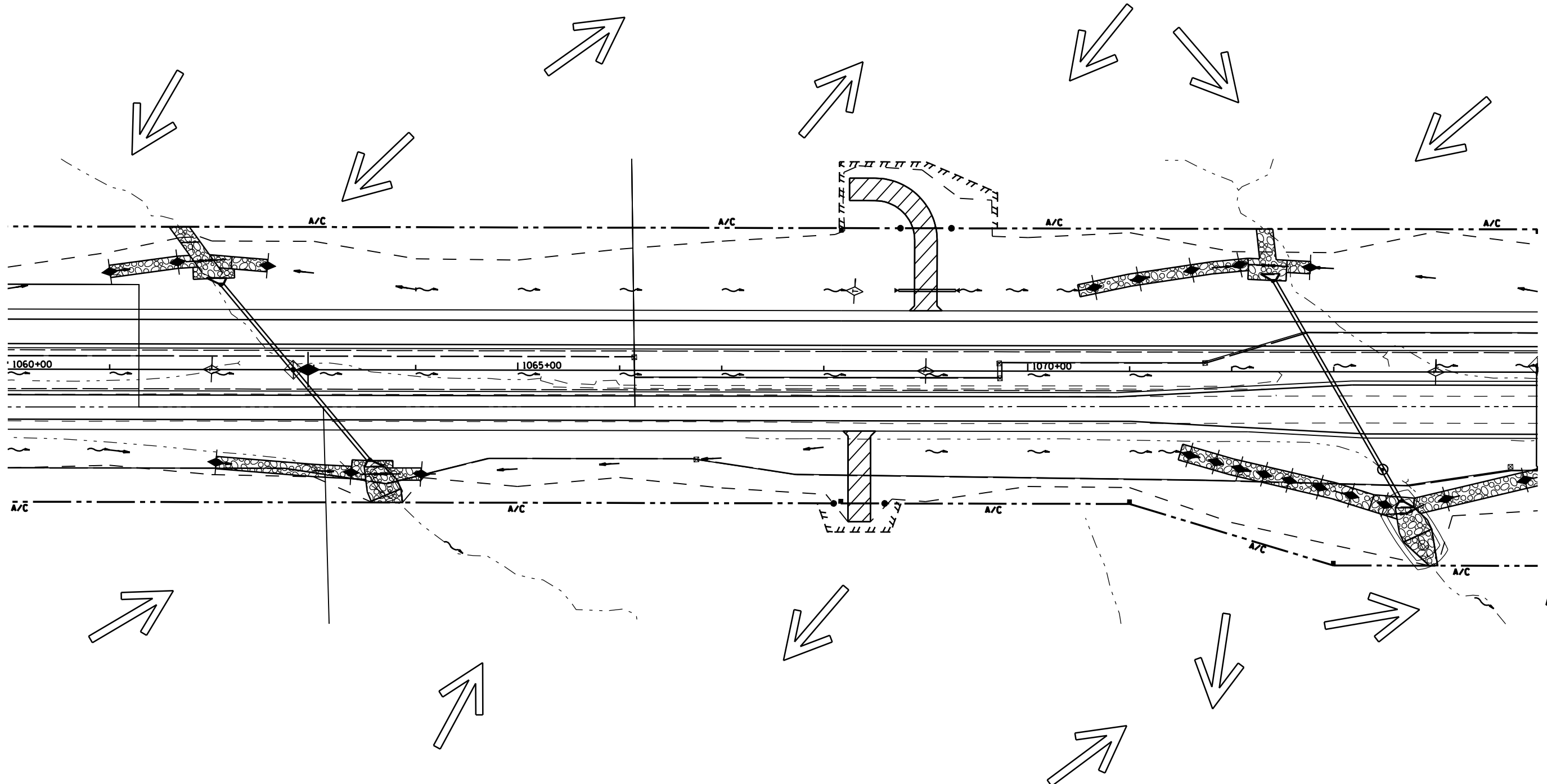


F.A.P. RTE.	SECTION	COUNTY	TOTAL SHEETS	SHEET NO.
315	34-4	HANCOCK	452	170
STA. 1060+00.00		TO STA. 1075+00.00		
FED. ROAD DIST. NO.	ILLINOIS	FED. AID PROJECT		

D-86-891-02
CONTRACT NO. 72680



REVISIONS	
NAME	DATE

ILLINOIS DEPARTMENT OF TRANSPORTATION
 FAP 315 (US 136)
 STORMWATER POLLUTION
 PREVENTION PLAN
 STA 1060+00 TO STA 1075+00
 SCALE: 1" = 50'-0"
 DATE 1/31/06
 DRAWN BY JCG
 CHECKED BY JRB

