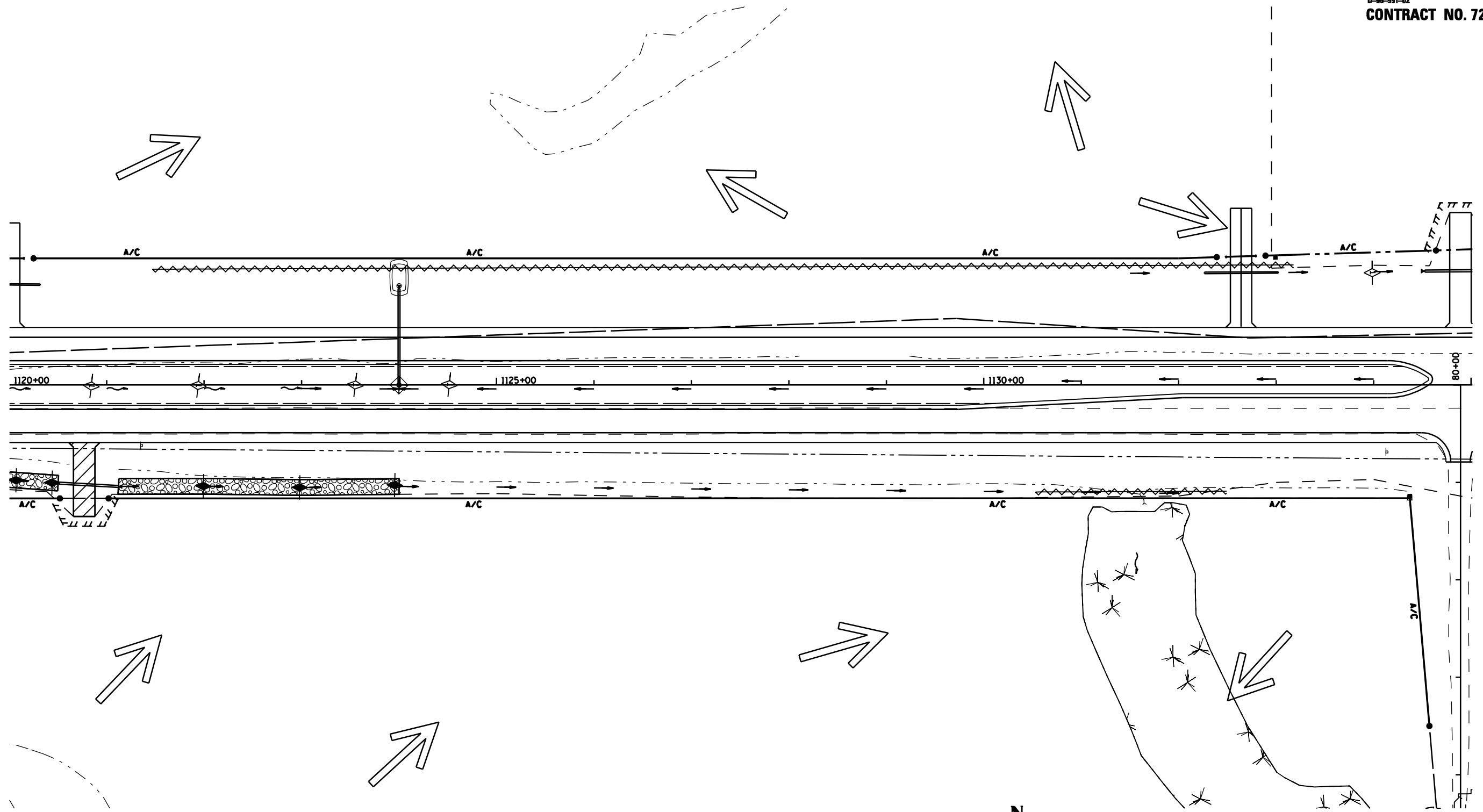


F.A.P. RTE.	SECTION	COUNTY	TOTAL SHEETS	SHEET NO.
315	34-4	HANCOCK	452	174
STA. 1120+00.00		TO STA. 1135+00.00		
FED. ROAD DIST. NO.	ILLINOIS	FED. AID PROJECT		

D-86-891-02  
**CONTRACT NO. 72680**



REVISIONS	
NAME	DATE

ILLINOIS DEPARTMENT OF TRANSPORTATION  
 FAP 315 (US 136)  
 STORMWATER POLLUTION  
 PREVENTION PLAN  
 STA 1120+00 TO STA 1135+00  
 SCALE: 1" = 50'-0"  
 DATE 1/31/06  
 DRAWN BY JCG  
 CHECKED BY JRB