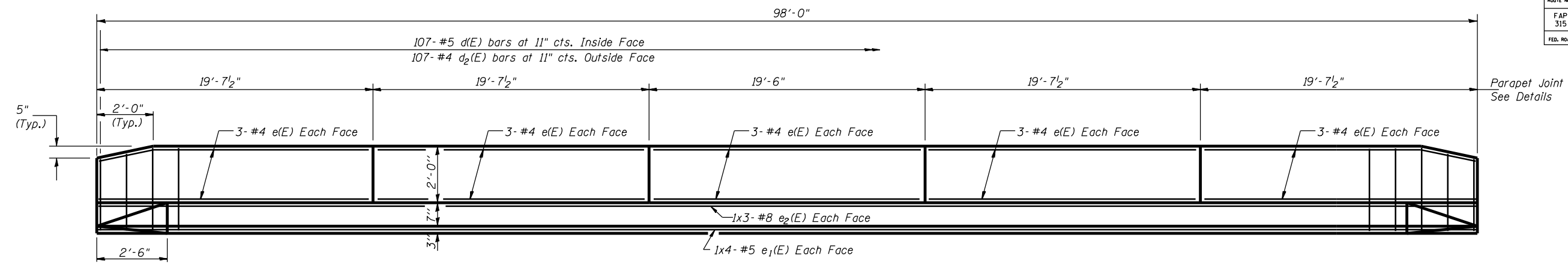


ROUTE NO.	SEC	COUNTY	TOTAL SHEETS	SHEET NO.
FAP 315	*	HANCOCK	452	186
FED. ROAD DIST. NO. 7	ILLINOIS	PROJECT		
* 34-4B				

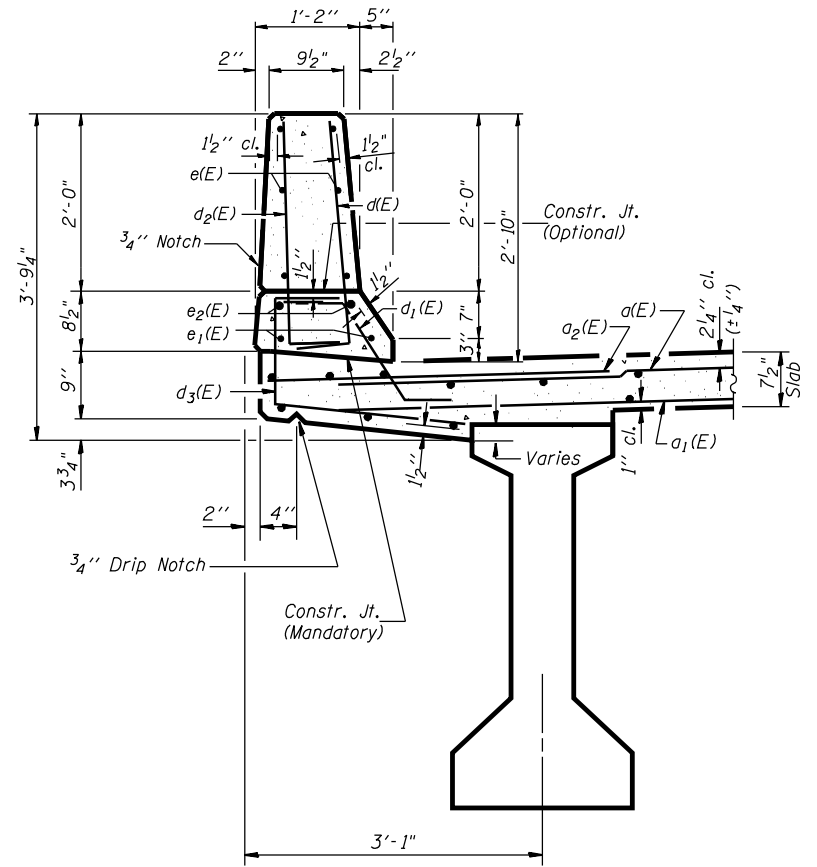
SHEET NO. 9
21 SHEETS

D-96-551-02
CONTRACT NO. 72680

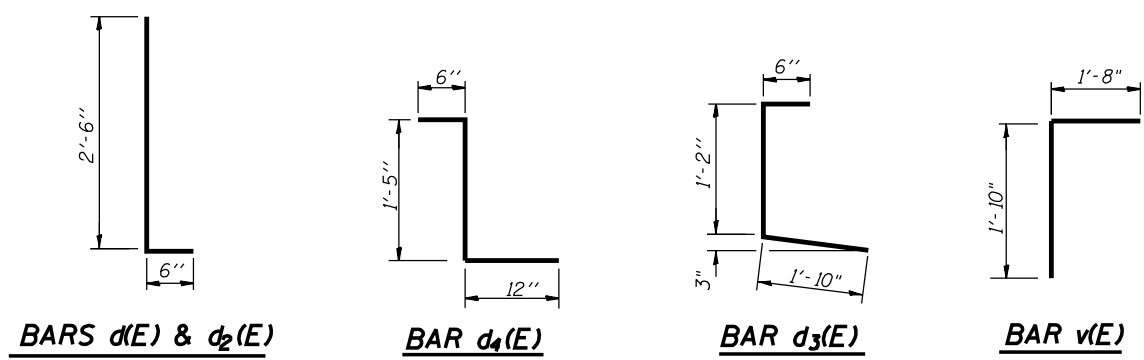


INSIDE ELEVATION OF PARAPET

Min. Lap
#5 bars - 2'-2"
#8 bars - 4'-6"



SECTION THRU PARAPET

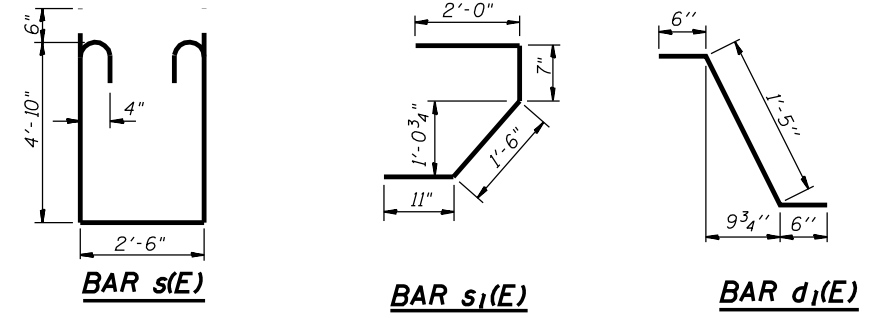


BARS d(E) & d2(E)

BAR d4(E)

BAR d3(E)

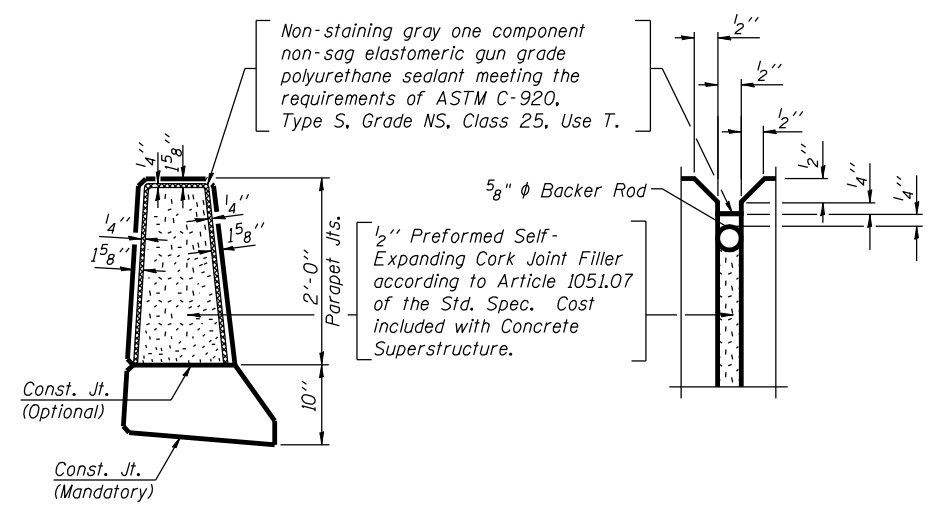
BAR v(E)



BAR s(E)

BAR s1(E)

BAR d1(E)



PARAPET JOINT DETAILS

SUPERSTRUCTURE - E.B.L. & WBL
BILL OF MATERIAL

Bar	No.	Size	Length	Shape
a(E)	258	#5	40'-0"	—
a1(E)	232	#5	41'-2"	—
a2(E)	260	#6	4'-6"	—
a3(E)	16	#5	25'-10"	—
b(E)	368	#5	26'-1"	—
b1(E)	360	#5	21'-4"	—
d(E)	428	#5	3'-0"	—
d1(E)	404	#5	2'-5"	—
d2(E)	428	#4	3'-0"	—
d3(E)	428	#4	3'-6"	—
d4(E)	24	#5	2'-11"	—
e(E)	120	#4	19'-2"	—
e1(E)	32	#5	26'-1"	—
e2(E)	24	#8	35'-7"	—
m(E)	40	#6	26'-2"	—
m2(E)	56	#6	9'-11"	—
m3(E)	24	#6	4'-9"	—
m4(E)	8	#6	2'-2"	—
s(E)	144	#4	13'-2"	—
s1(E)	192	#5	5'-0"	—
v(E)	168	#5	3'-6"	—
Reinforcement Bars (Epoxy Coated)			Lbs.	55,400
Concrete Superstructure			Cu. Yds.	333.4

Reinforcement bars designated (E) shall be epoxy coated.
Bars indicated thus 20x3-#5 etc. indicates 20 lines of bars with 3 lengths per line.

SUPERSTRUCTURE DETAILS
FAP ROUTE 315 OVER PRAIRIE CREEK
SECTION 34-4B
HANCOCK COUNTY
STATION 973+28.00
STR. NO. 034-0506 (WBL)
STR. NO. 034-0507 (EBL)

HUTCHISON ENGINEERING, INC.
JACKSONVILLE, ILLINOIS
Date: January 31, 2006