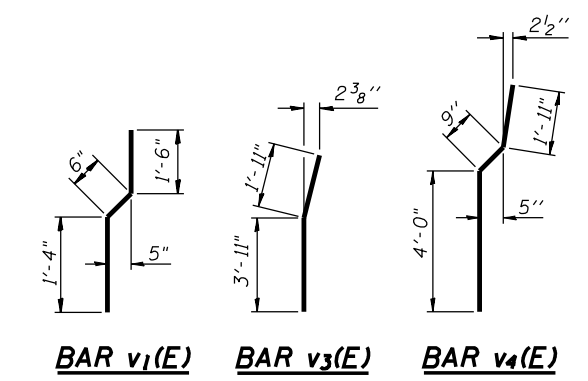
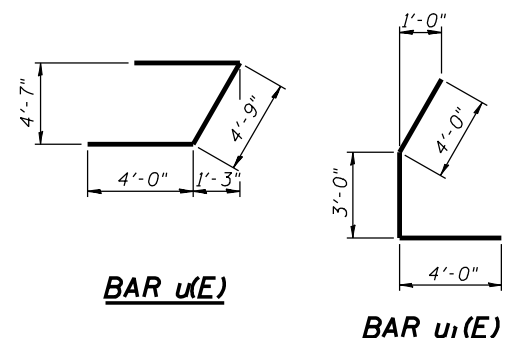
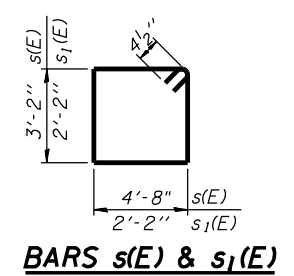
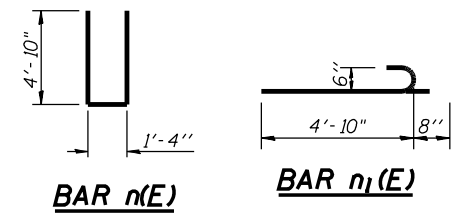
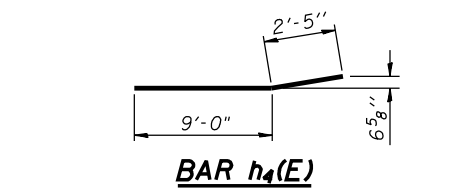
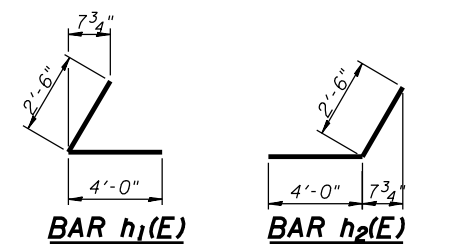
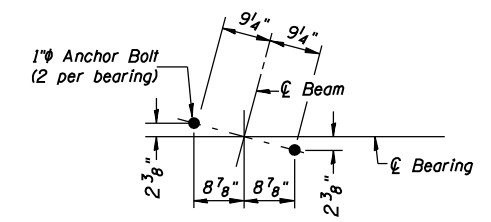
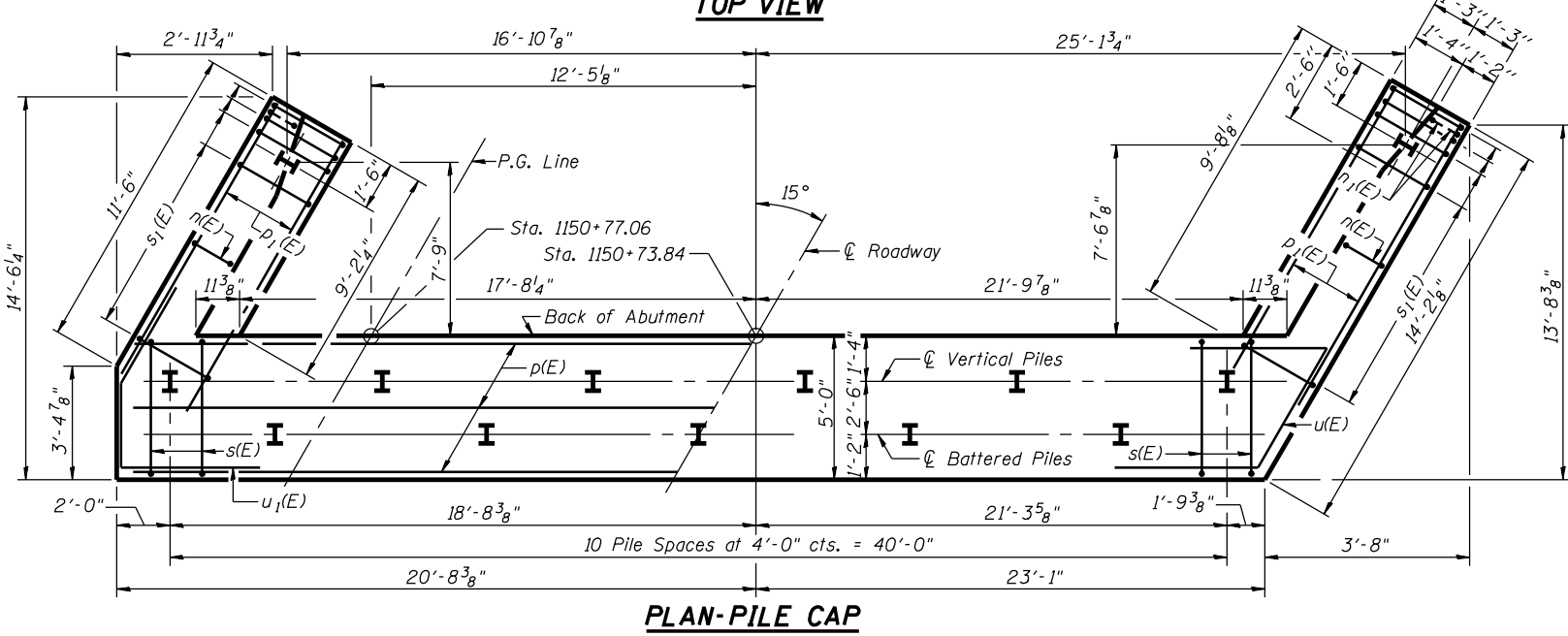
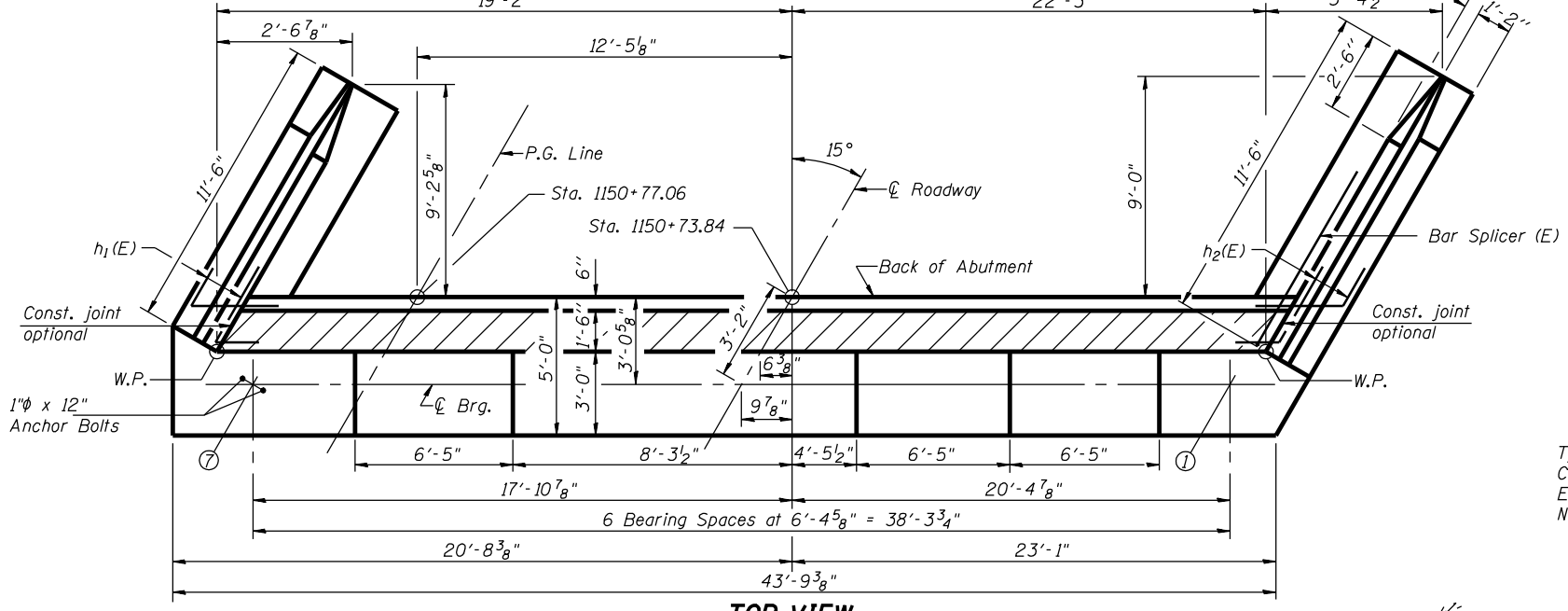
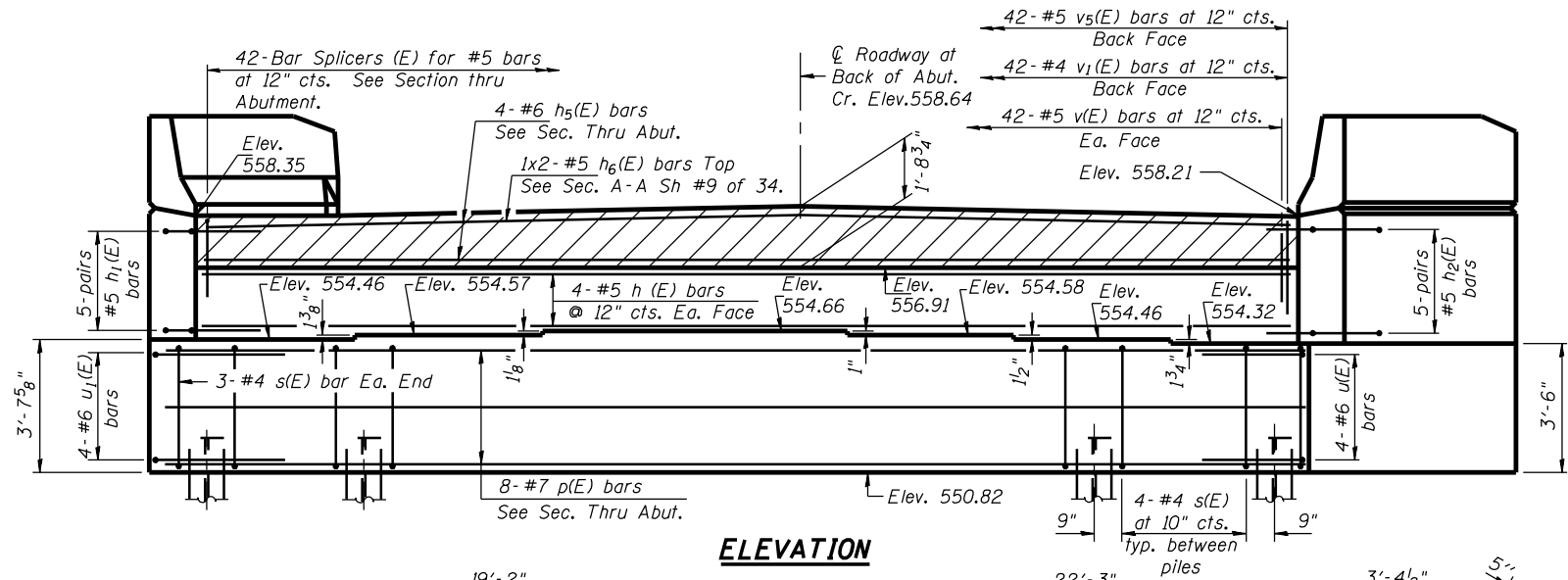


CONTRACT NO. 72680



DESIGNED	J.O.H.
CHECKED	B.R.T.
DRAWN	T.A.C.
CHECKED	J.O.H.



MIN BAR LAP
#5 = 2'-2"

PILE DATA
Type: Steel HP 12x53
Capacity: Drive to Refusal
Est. Length: 68'
No. Required: 13

WEST ABUTMENT BILL OF MATERIAL

Bar	No.	Size	Length	Shape
h(E)	8	#5	41'-0"	—
h ₁ (E)	10	#5	6'-6"	└
h ₂ (E)	10	#5	6'-6"	└
h ₃ (E)	22	#4	11'-3"	—
h ₄ (E)	14	#4	11'-5"	—
h ₅ (E)	4	#6	41'-0"	—
h ₆ (E)	2	#5	21'-9"	—
n(E)	20	#6	11'-0"	└
n ₁ (E)	12	#6	5'-6"	└
p(E)	8	#7	43'-6"	—
p ₁ (E)	12	#7	12'-0"	—
s(E)	46	#4	16'-5"	└
s ₁ (E)	26	#4	9'-5"	└
u(E)	4	#6	12'-9"	└
u ₁ (E)	4	#6	11'-0"	└
v(E)	84	#5	5'-0"	—
v ₁ (E)	42	#4	3'-4"	└
v ₂ (E)	24	#6	6'-4"	—
v ₃ (E)	6	#6	5'-11"	—
v ₄ (E)	20	#6	6'-7"	└
v ₅ (E)	42	#5	2'-6"	—
Structure Excavation	Cu. Yd.	185		
Concrete Structures	Cu. Yd.	47.0		
Reinforcement Bars, Epoxy Coated	Pound	4,410		
Steel Piles HP 12x53	Foot	884		

Notes: Reinforcement bars designated (E) shall be epoxy coated.
For details of Bar Splicers, see sheet 25 of 34.
Space reinforcement in cap to miss anchor bolts.
Pour steps monolithically with cap.
All edges shall have standard 3/4" chamfers.

**WEST ABUTMENT
U.S. ROUTE 136 OVER
LAMOINE RIVER
F.A.P. RTE. 315 SECTION 34-4B-1
HANCOCK COUNTY
STATION 1153+07.72
STR. NO. 034-0508 (WBL)**

**HUTCHISON ENGINEERING, INC.
JACKSONVILLE, ILLINOIS
Date: January 31, 2006**