

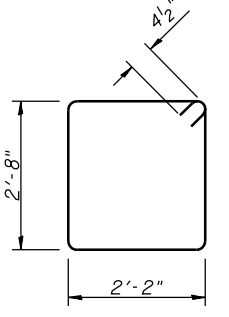
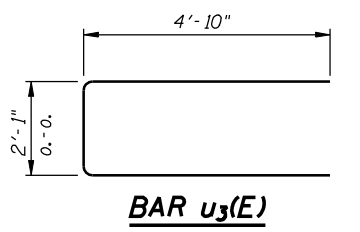
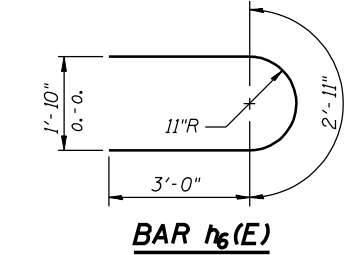
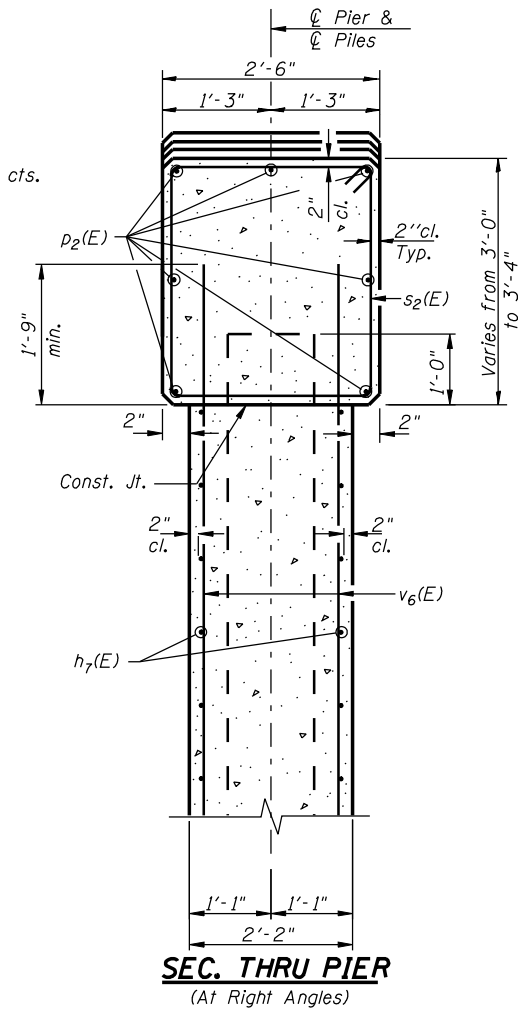
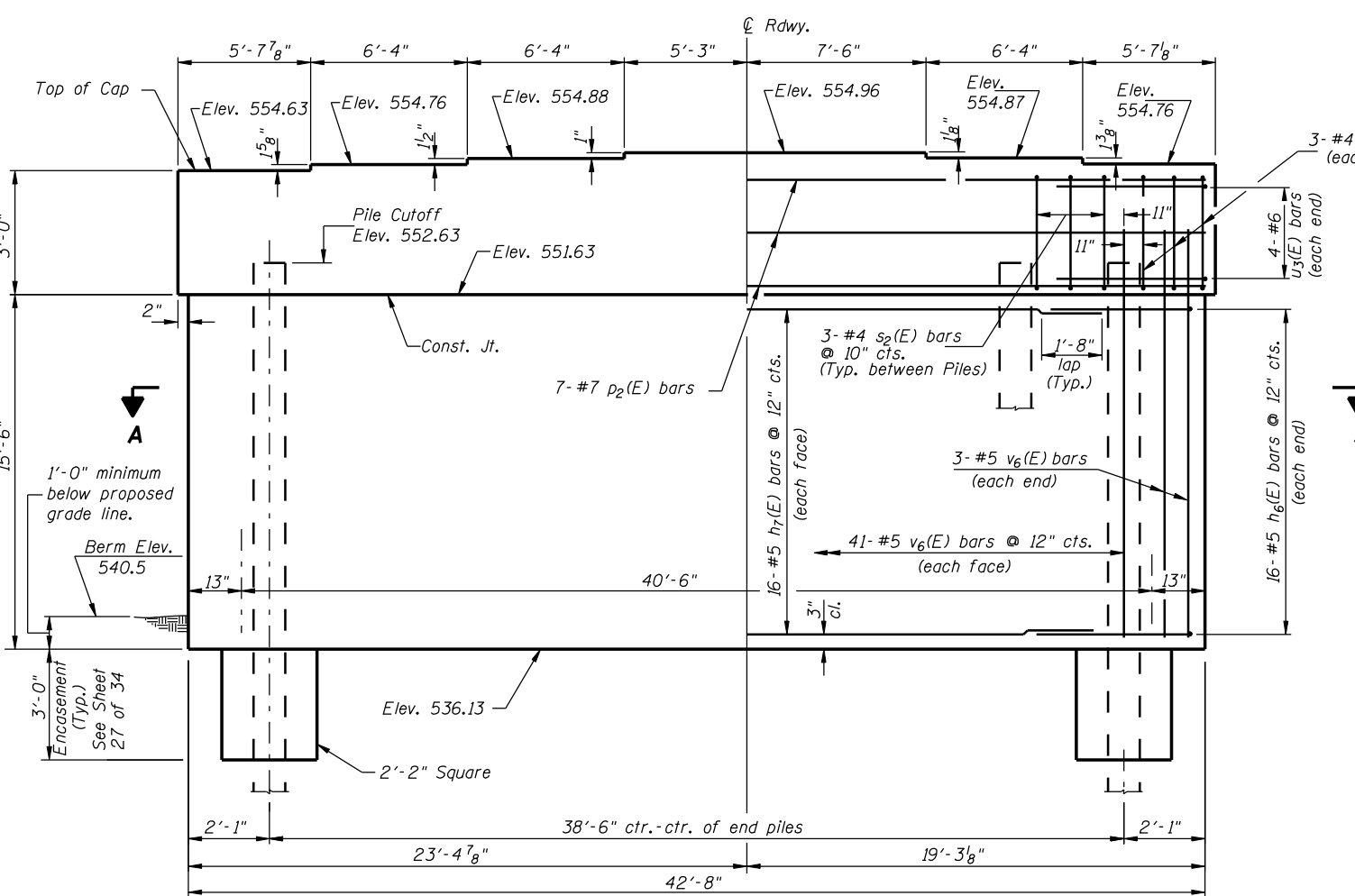
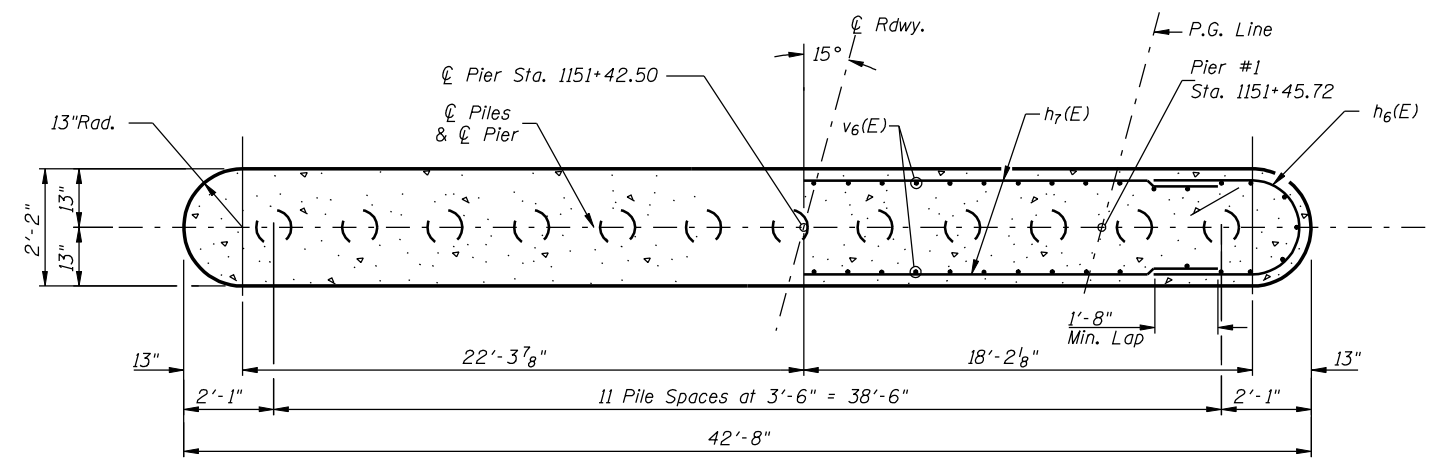
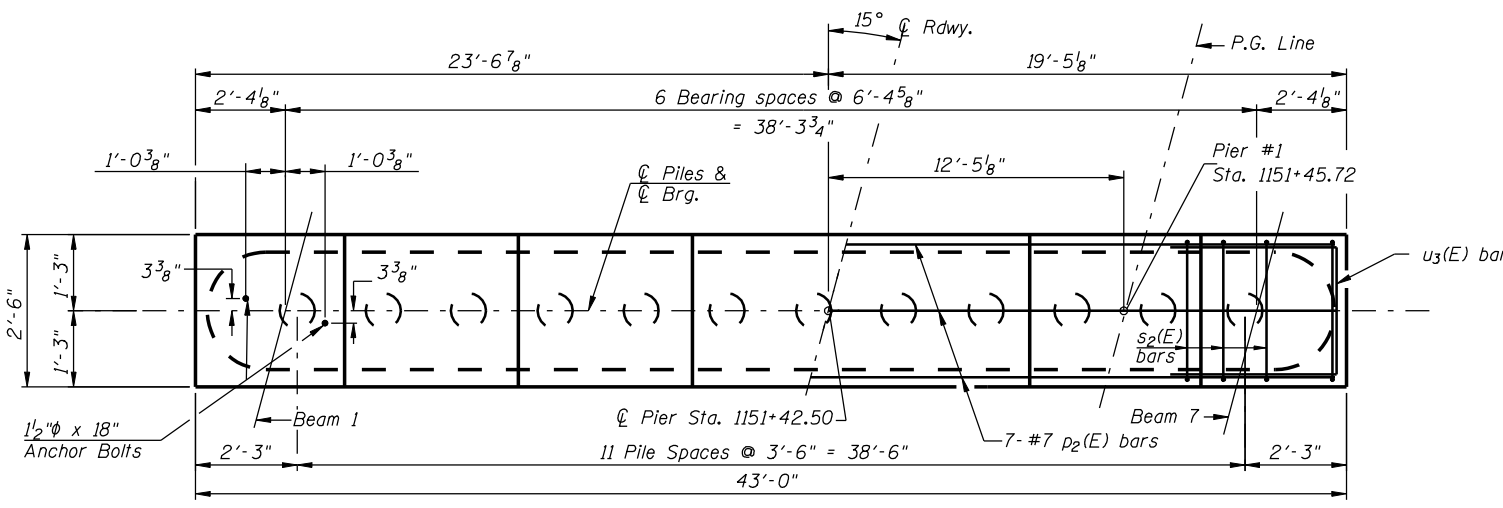
CONTRACT NO. 72680

PILE DATA

Type: Metal Pile Shells, 14"
Capacity: 55 Tons
Est. Length: 58 Ft.
No. Required: 12

NOTES

1. Space Reinforcement in cap to miss anchor bolts.
2. All edges shall have standard 3/4" chamfers.
3. Pour steps monolithically with cap.



**BILL OF MATERIAL
BAR LIST FOR ONE PIER**

Bar	No.	Size	Length	Shape
h ₆ (E)	32	#5	8'-11"	U
h ₇ (E)	32	#5	38'-10"	—
p ₂ (E)	7	#7	42'-8"	—
s ₂ (E)	39	#4	10'-5"	□
u ₃ (E)	8	#6	11'-9"	—
v ₆ (E)	88	#5	17'-3"	—
Concrete Structures		CU YD	57.5	
Reinforcement Bars, Epoxy Coated		POUND	4,200	
Metal Pile Shells, 14"		FOOT	696	
Structure Excavation		CU YD	47	
Concrete Encasement		CU YD	4.8	

Reinforcement bars designated (E) shall be epoxy coated.

MIN. BAR LAP
#5 = 2'-2"

DESIGNED	J.O.H.
CHECKED	B.R.T.
DRAWN	T.A.C.
CHECKED	J.O.H.

PIER 1
U.S. ROUTE 136 OVER
LAMOINE RIVER
F.A.P. RTE. 315 SECTION 34-4B-1
HANCOCK COUNTY
STATION 1153+07.72
STR. NO. 034-0508 (WBL)

HUTCHISON ENGINEERING, INC.
JACKSONVILLE, ILLINOIS
Date: January 31, 2006