

CONTRACT NO. 72680

Joint Size	"C" at 50°F	"D" at 50°F
2"	2"	1 1/2" Min.
2 1/2"	2 1/2"	1 3/4" Min.
4"	3"	2 1/2" Min.

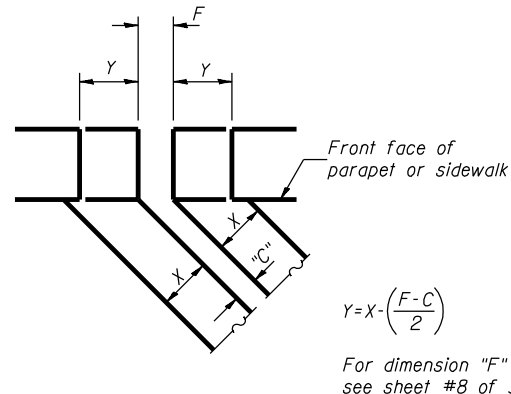
INSTALLATION NOTES

- ① Install continuous seal in roadway, parapet, curb, and sidewalk.
- ② Install anchor blocks as indicated.

NOTE A: Maximum spacing of anchor bolts shall be 12" centers.

SKEW LIMITATIONS

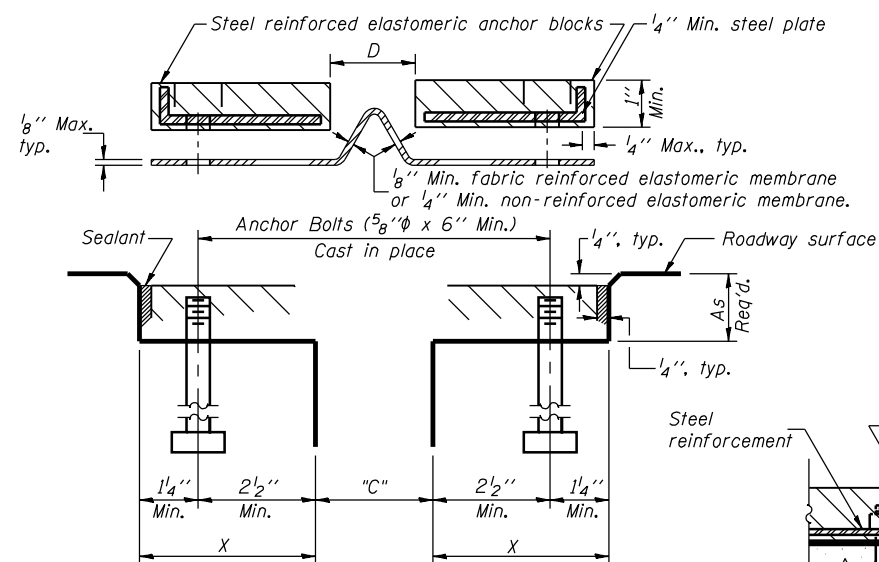
The details of the anchor blocks and the elastomeric membrane in the parapet, as shown, are for up to 50° skews. For skews greater than 50°, the anchor blocks and the elastomeric membrane, installed according to dimension "D", might require modifications to insure a minimum clearance of 1/2" from centerline of anchor studs to edge of parapet opening. The anchor blocks and the elastomeric membrane shall also be installed to the top of the parapet with the anchor studs spaced at ±12" cts.



FORMING BLOCKOUT SKETCH

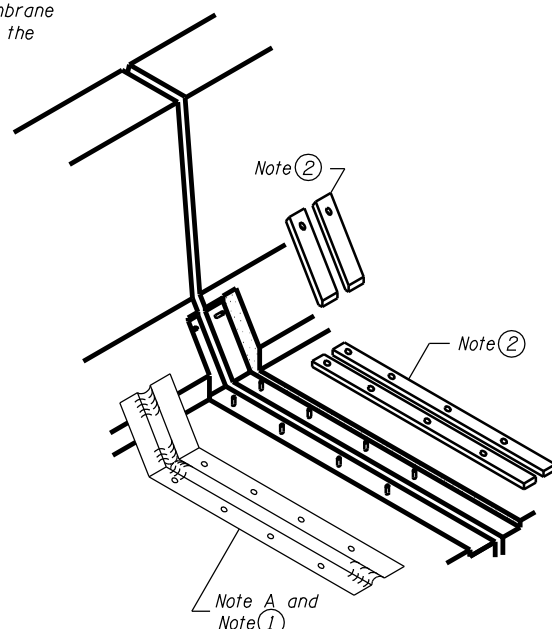
$$Y = X \cdot \left(\frac{F - C}{2} \right)$$

For dimension "F" see sheet #8 of 34.

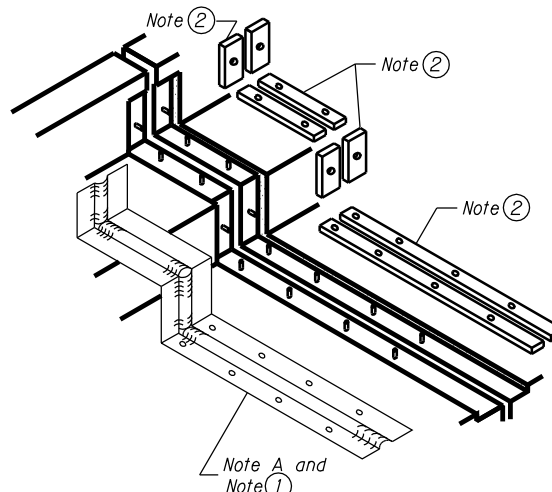


CROSS SECTION

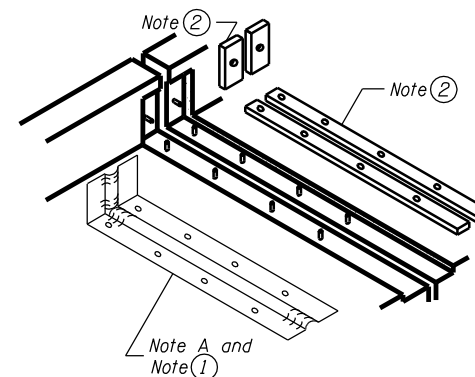
ANCHOR BLOCK WITH ASPHALT SURFACE



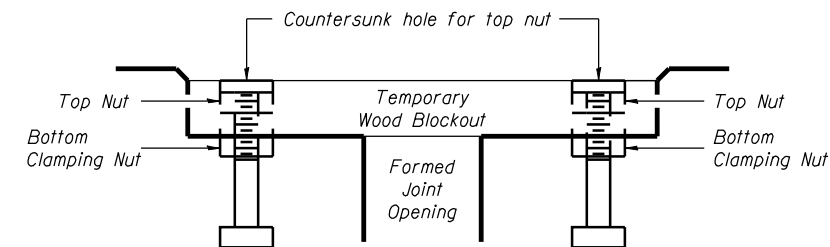
AT PARAPET



AT SIDEWALK OR MEDIAN



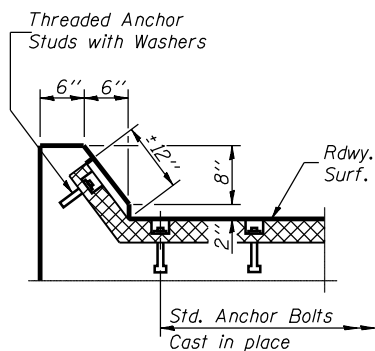
AT WALL



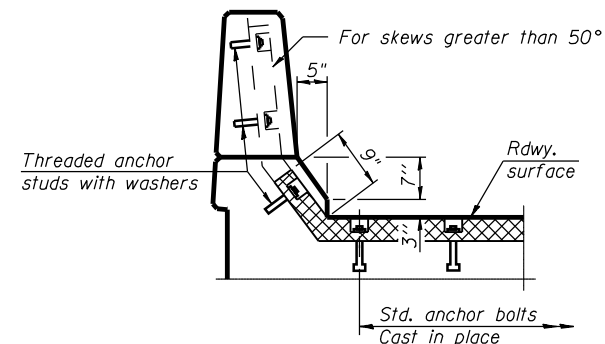
Note: Stud needs to be threaded lower to allow for use of clamping nut.

Anchor studs should be stainless

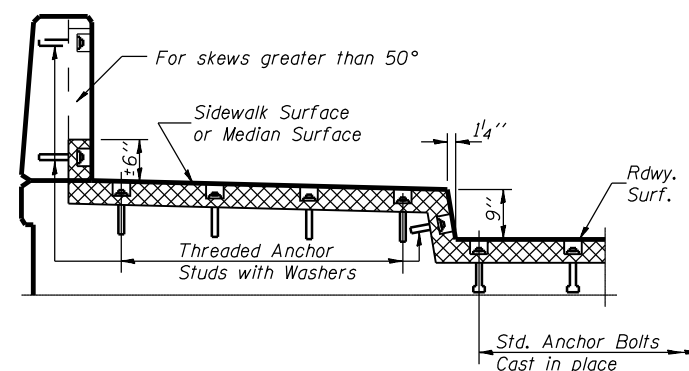
RECOMMENDED BLOCKOUT DETAIL



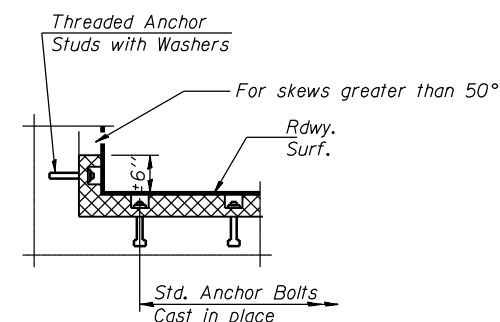
AT CURB



AT PARAPET



AT SIDEWALK OR MEDIAN TYPICAL END TREATMENTS



AT WALL

DESIGNED	J.O.H.
CHECKED	B.R.T.
DRAWN	T.A.C.
CHECKED	J.O.H.
EJ-CS	9-01-03

**CONTINUOUS SEAL TYPE
NEOPRENE EXPANSION JOINTS
U.S. ROUTE 136 OVER
LAMOINE RIVER
F.A.P. RTE. 315 SECTION 34-4B-1
HANCOCK COUNTY
STATION 1153+07.72
STR. NO. 034-0508 (WBL)**

HUTCHISON ENGINEERING, INC.
JACKSONVILLE, ILLINOIS
Date: January 31, 2006