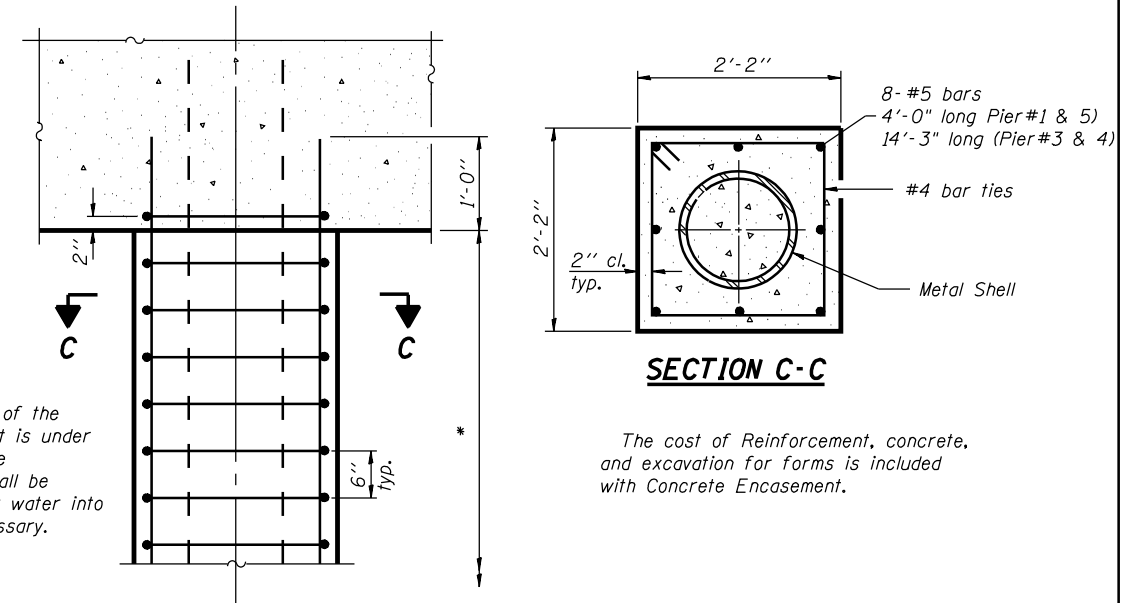
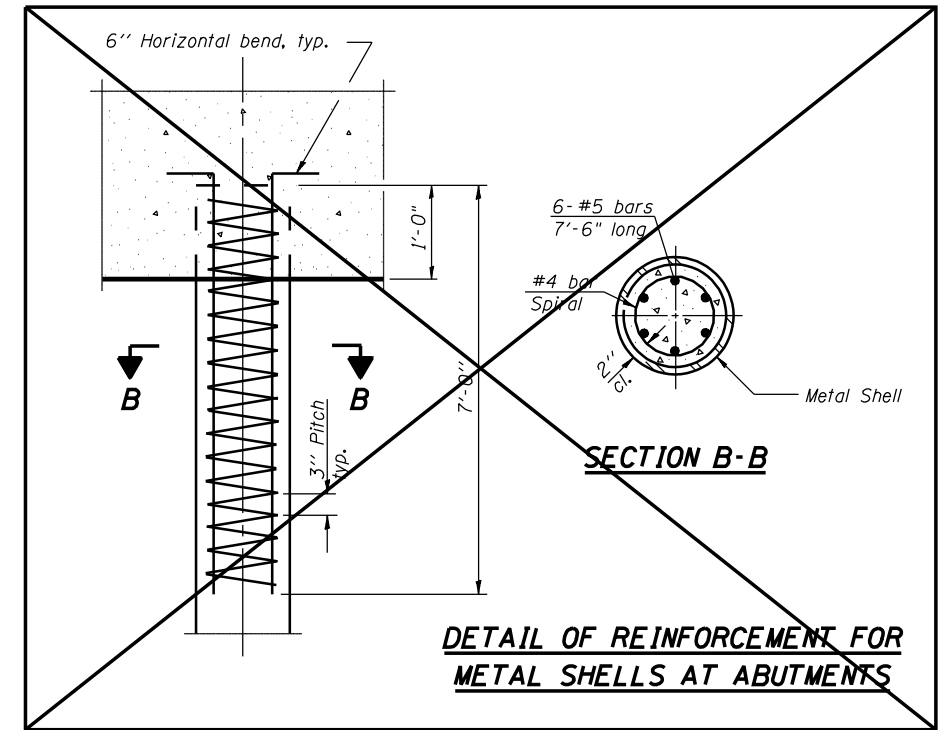
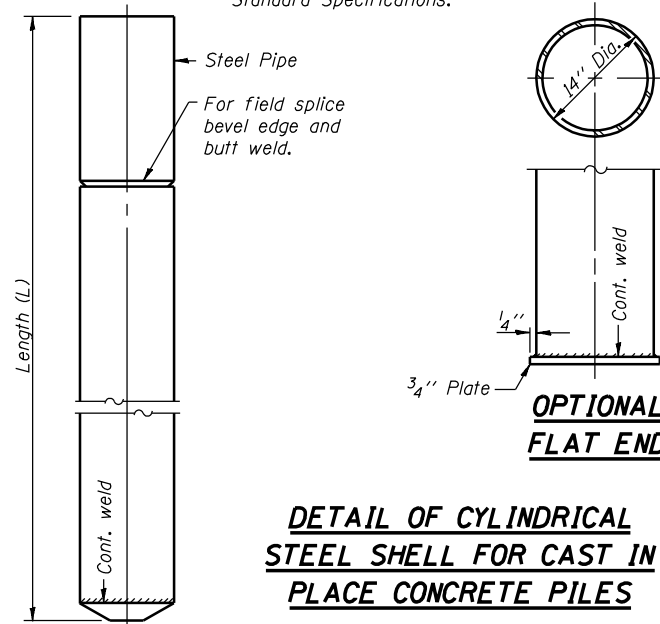


Notes: Driving and bearing ends of pipe shall be cut square. The thickness of the shell shall be 0.250 inches with a tolerance of 5%. The shell shall be according to Article 1006.05(a) of the Standard Specifications.



DESIGNED	J.O.H.
CHECKED	B.R.T.
DRAWN	T.A.C.
CHECKED	J.O.H.
X-PB	10-31-02

CONCRETE PILE DETAILS
U.S. ROUTE 136 OVER
LAMOINE RIVER
F.A.P. RTE. 315 SECTION 34-4B-1
HANCOCK COUNTY
STATION 1153+07.72
STR. NO. 034-0508 (WBL)

HUTCHISON ENGINEERING, INC.
 JACKSONVILLE, ILLINOIS
 Date: January 31, 2006