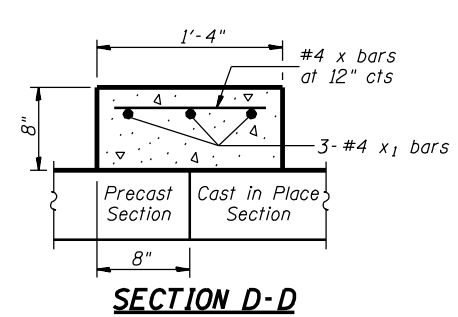
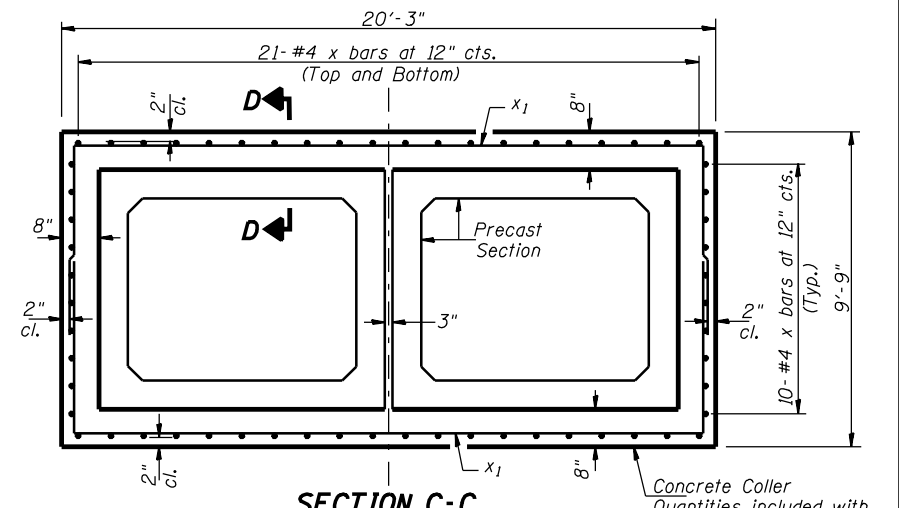
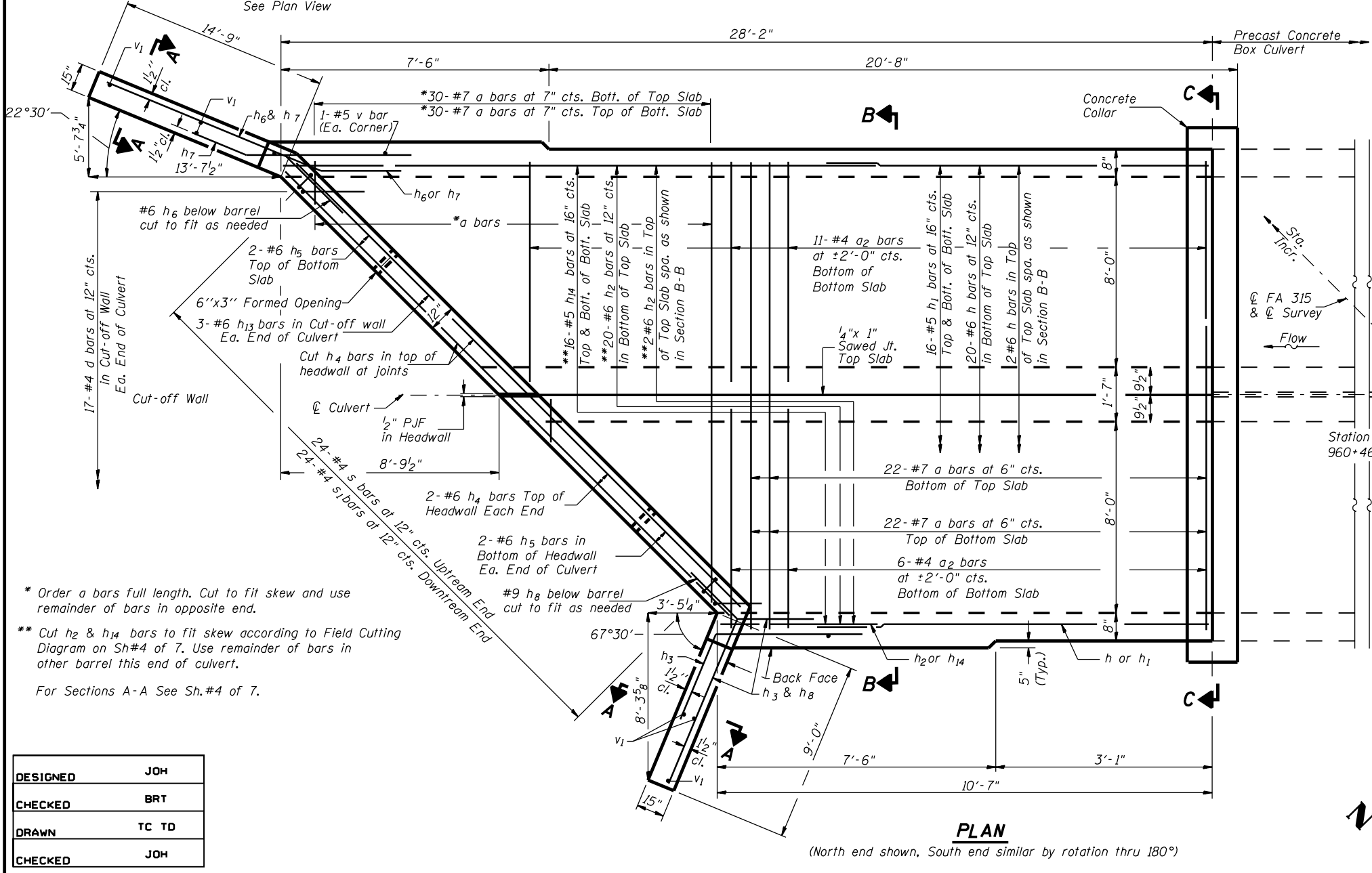
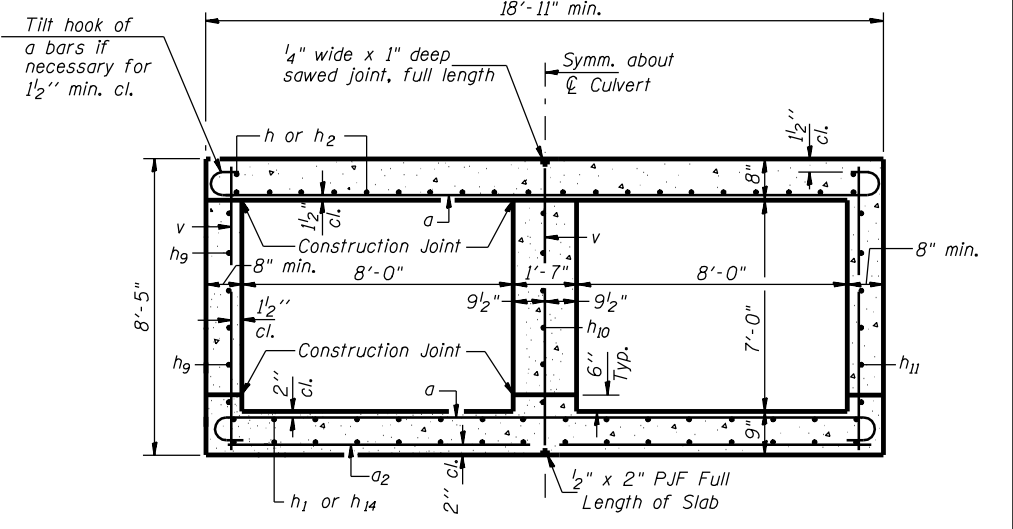
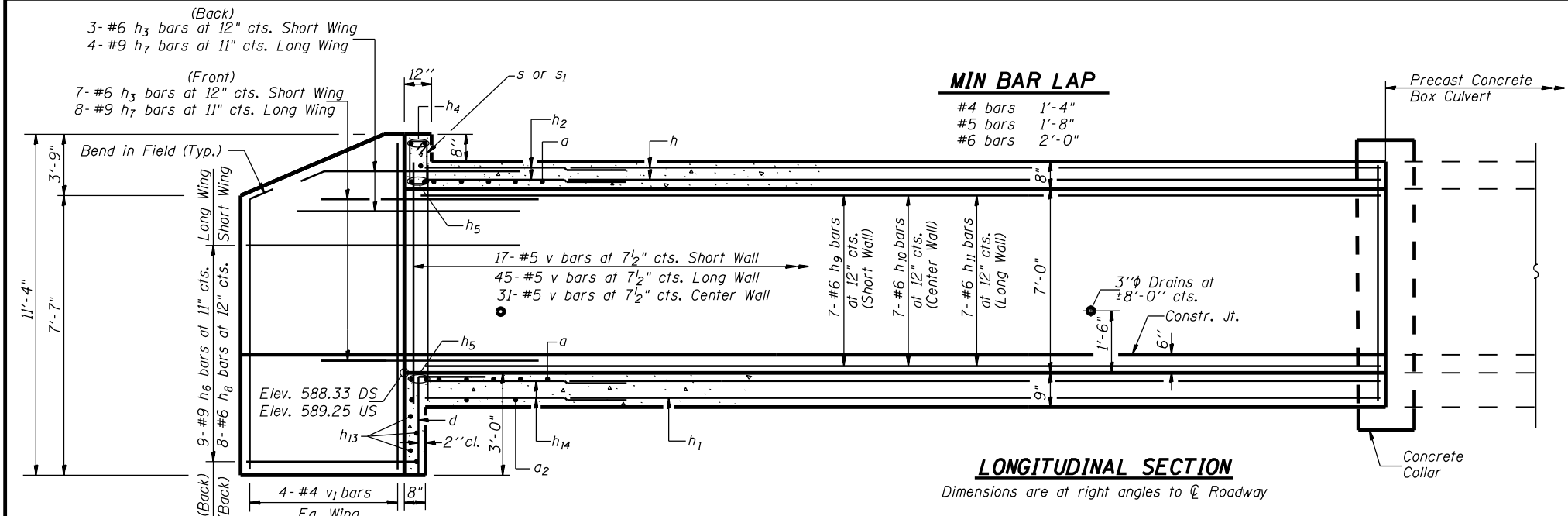


D-99-591-02
CONTRACT NO. 72680



* Order a bars full length. Cut to fit skew and use remainder of bars in opposite end.
** Cut h2 & h14 bars to fit skew according to Field Cutting Diagram on Sh#4 of 7. Use remainder of bars in other barrel this end of culvert.
For Sections A-A See Sh.#4 of 7.

DESIGNED	JOH
CHECKED	BRT
DRAWN	TC TD
CHECKED	JOH

CULVERT END SECTION DETAILS
U.S. ROUTE 136 OVER
TRIBUTARY PRAIRIE CREEK
F.A.P. ROUTE 315 SECTION 34-4
HANCOCK COUNTY
STATION 960+46.00
S.N. 034-2513

HUTCHISON ENGINEERING, INC.
JACKSONVILLE, ILLINOIS
Date: January 31, 2006