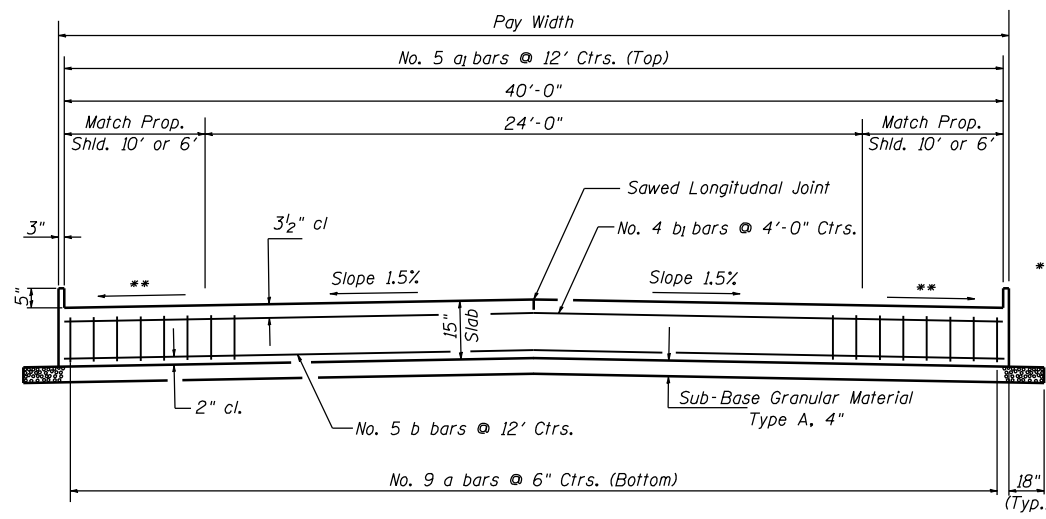
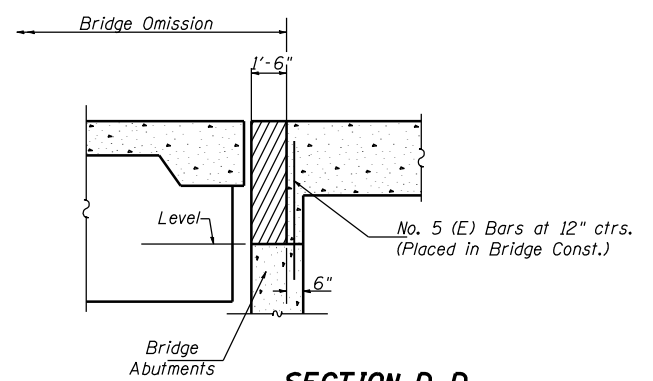


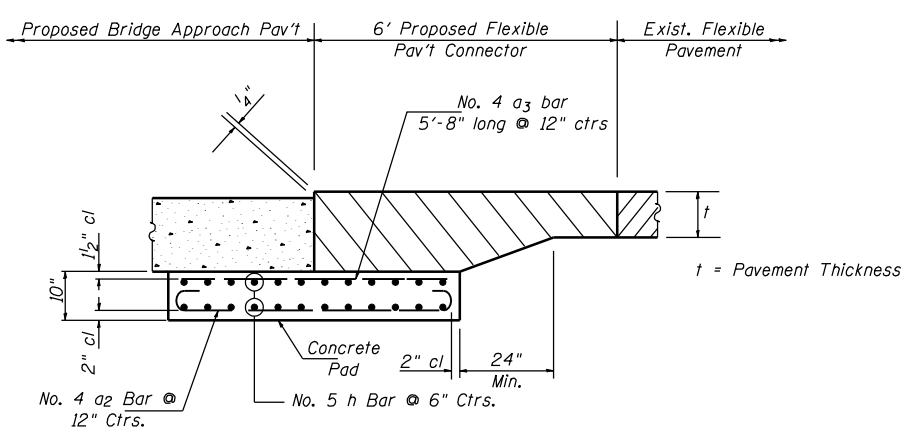
F.A.P. RTE.	SECTION	COUNTY	TOTAL SHEETS	SHEET NO.
315	34-4B-1	HANCOCK	452	240
FED. ROAD DIST. NO.		ILLINOIS	FED. AID PROJECT	



SECTION B-B

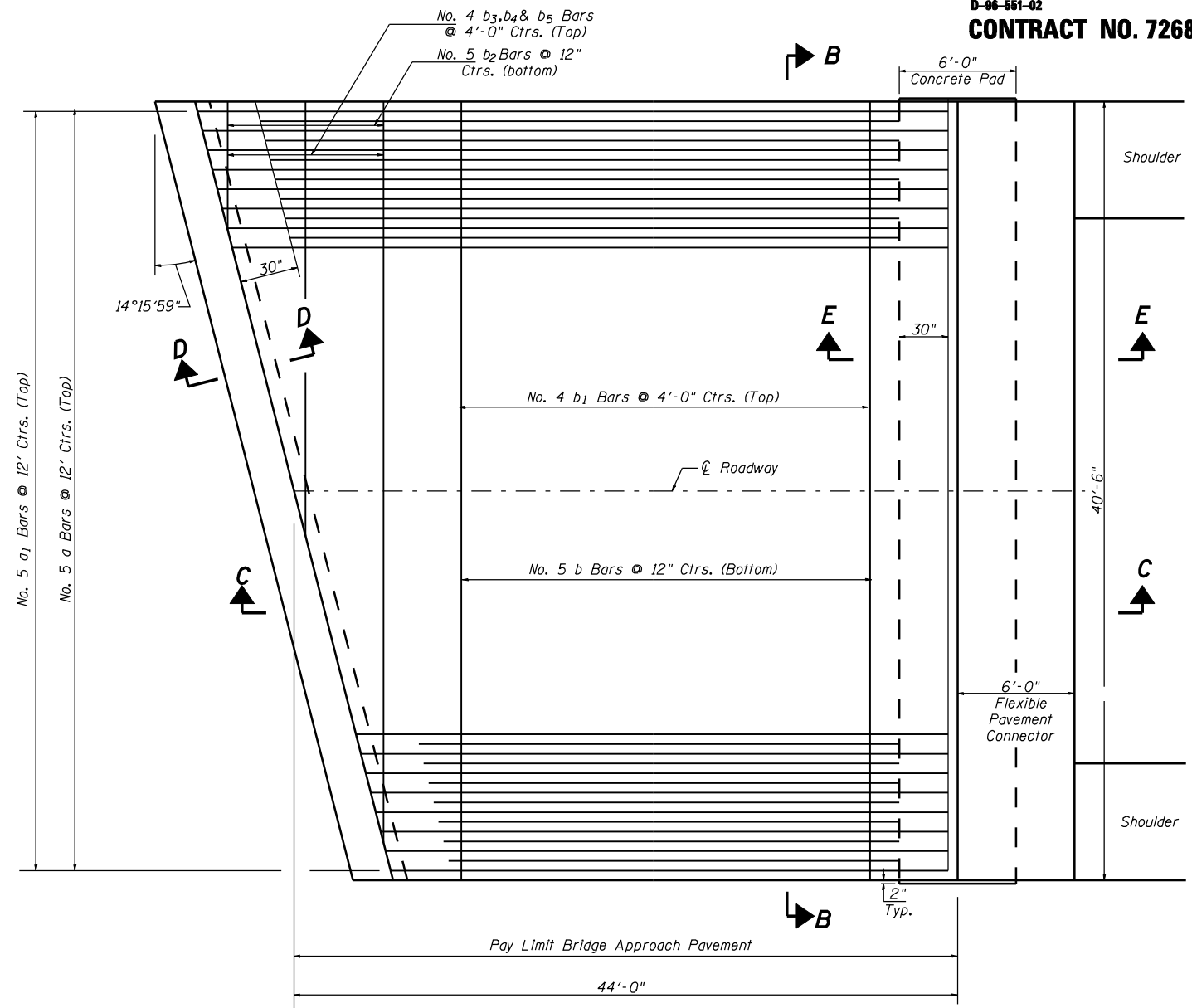


SECTION D-D

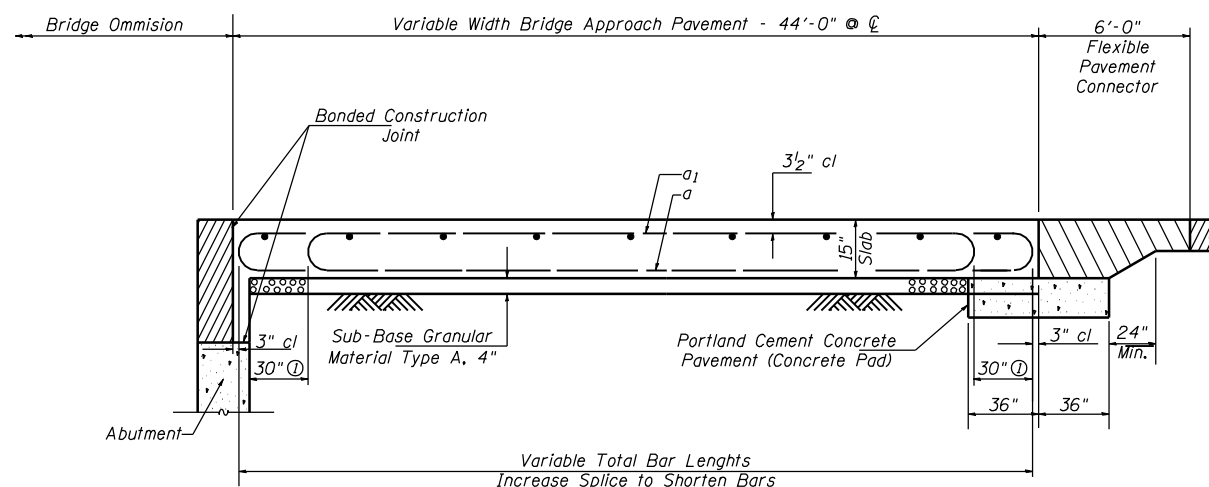


SECTION E-E

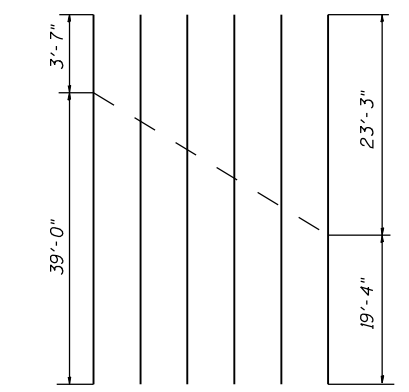
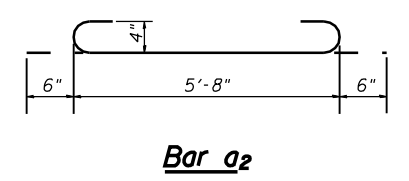
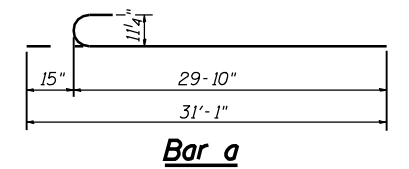
DESIGNED	A.J.G.
CHECKED	J.R.B.
DRAWN	T.R.D.
CHECKED	A.J.G.



PLAN



SECTION C-C



Bar b2 Cutting Diagram

BILL OF MATERIAL

Bar	No.	Size	Length	Shape
a	158	#9	31'-1"	—
a1	78	#5	28'-9"	—
a2	40	#4	6'-8"	—
a3	40	#4	5'-8"	—
b	43	#5	39'-8"	—
b1	11	#4	39'-8"	—
b2	5	#5	42'-7"	—
b3	1	#4	37'-0"	—
b4	1	#4	21'-3"	—
b5	1	#4	5'-6"	—
h	22	#5	40'-0"	—

**SPECIAL BRIDGE
 APPROACH PAVEMENT
 FOR E.B. LANE AT EXISTING
 LAMOINE RIVER BRIDGE FOR
 EAST & WEST APPROACH PAVEMENTS
 U.S. ROUTE 136 OVER
 LAMOINE RIVER
 F.A.P. RTE. 315 SECTION 34-4B
 HANCOCK COUNTY
 STATION 1153+07.72**

HUTCHISON ENGINEERING, INC.
 JACKSONVILLE, ILLINOIS
 Date: January 31, 2006