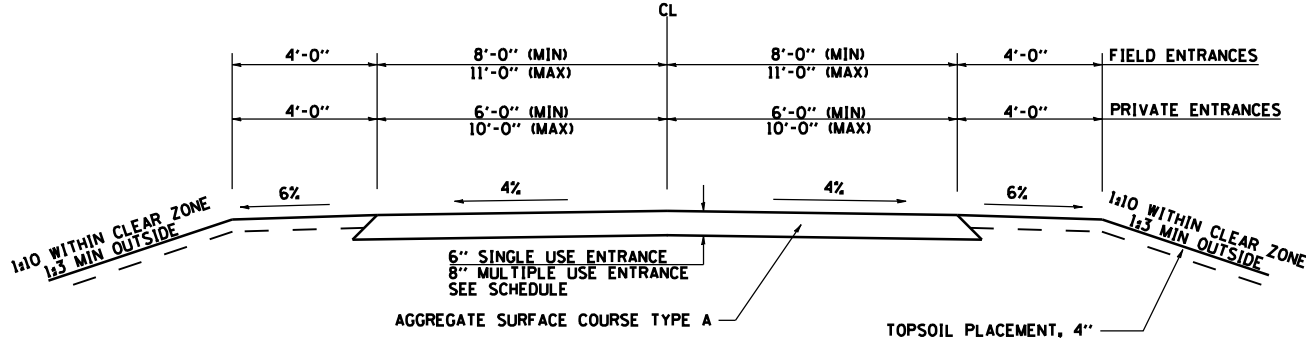
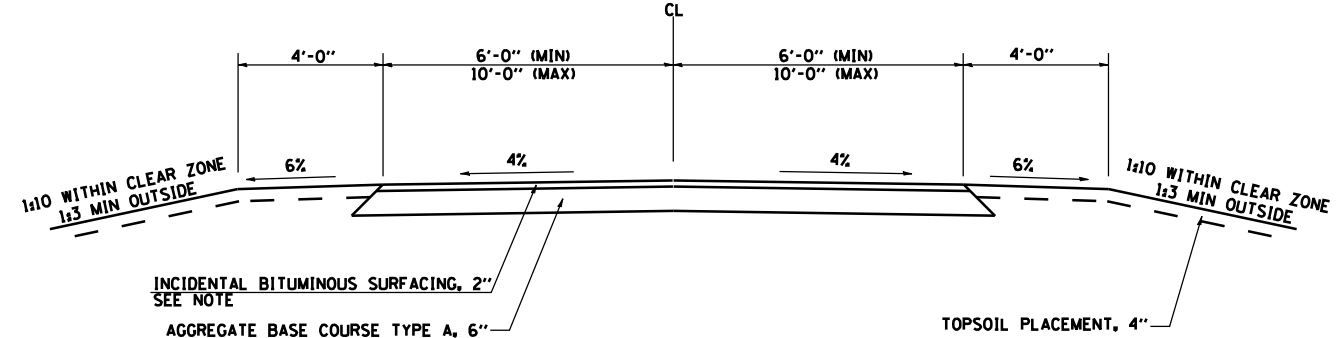


F.A.P. RTE.	SECTION	COUNTY	TOTAL SHEETS	SHEET NO.
315	34-4	HANCOCK	452	263

FED. ROAD DIST. NO. ILLINOIS FED. AID PROJECT
 D-98-591-02
CONTRACT NO. 72680

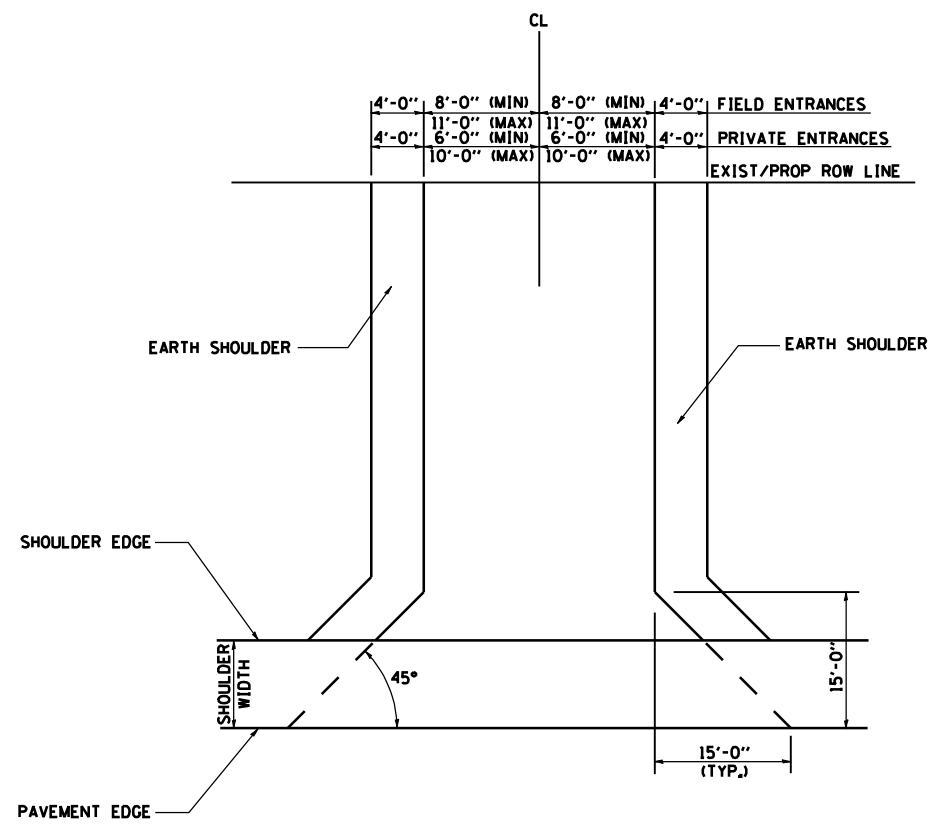


**TYPICAL SECTION
PRIVATE AND FIELD ENTRANCES**

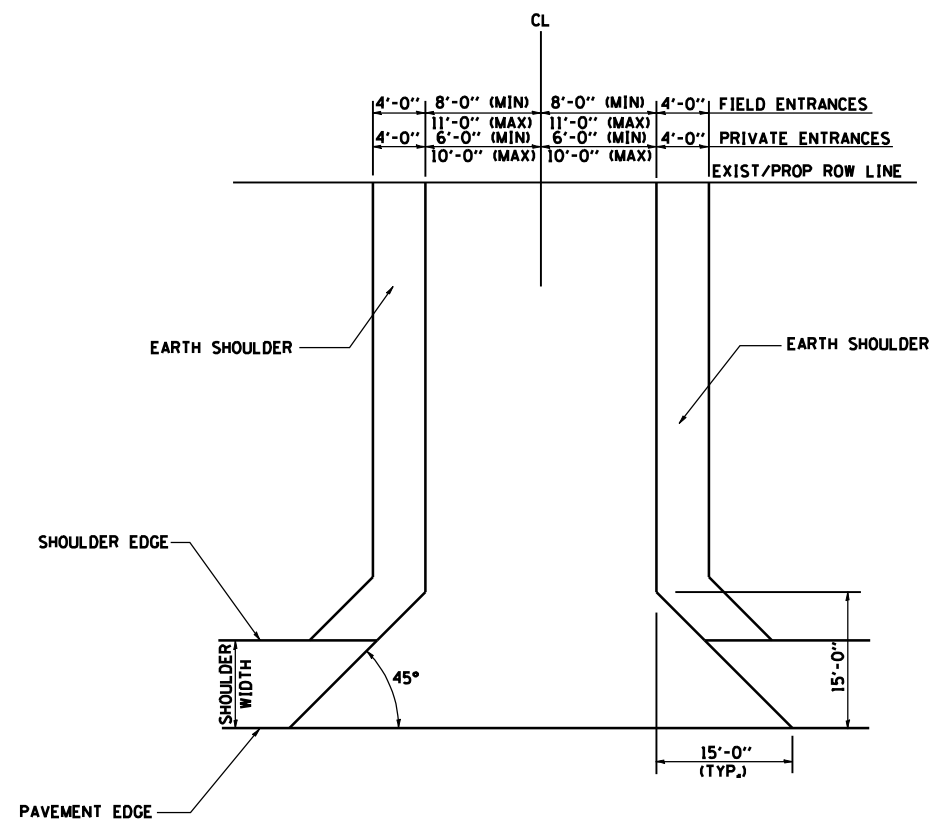


**TYPICAL SECTION
PRIVATE ENTRANCE
(PROPOSED BITUMINOUS SURFACE)**

NOTE: THE ENTRANCE AT STA 16+20 RT (TR 222) SHALL HAVE 4" OF INCIDENTAL BITUMINOUS SURFACING RATHER THAN 2" .



**PROPOSED PRIVATE
AND
FIELD ENTRANCE DETAIL
ADJACENT TO SHOULDERS WITH
DIFFERENT MATERIAL AS ENTRANCE**



**PROPOSED PRIVATE
AND
FIELD ENTRANCE DETAIL
ADJACENT TO SHOULDERS WITH
SAME MATERIAL AS ENTRANCE**

NOTE: MAILBOX TURNOUTS ALONG SIDEROADS TO BE CONSTRUCTED OF SAME MATERIAL AS ADJACENT ENTRANCE. SEE STANDARD BLR 24 FOR MAILBOX TURNOUT LAYOUT.

REVISIONS	
NAME	DATE

ILLINOIS DEPARTMENT OF TRANSPORTATION
**FAP ROUTE 315
SPECIAL DETAILS
ENTRANCE DETAILS**
 DRAWN BY JCG
 CHECKED BY JRB
 DATE 1/31/06