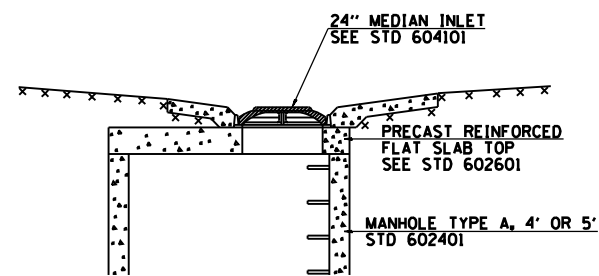
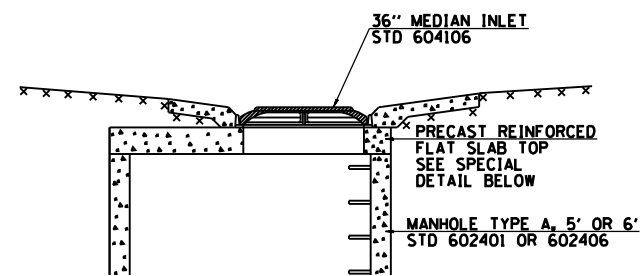


F.A.P. RTE.	SECTION	COUNTY	TOTAL SHEETS	SHEET NO.
315	34-4	HANCOCK	452	265
FED. ROAD DIST. NO.		ILLINOIS	FED. AID PROJECT	

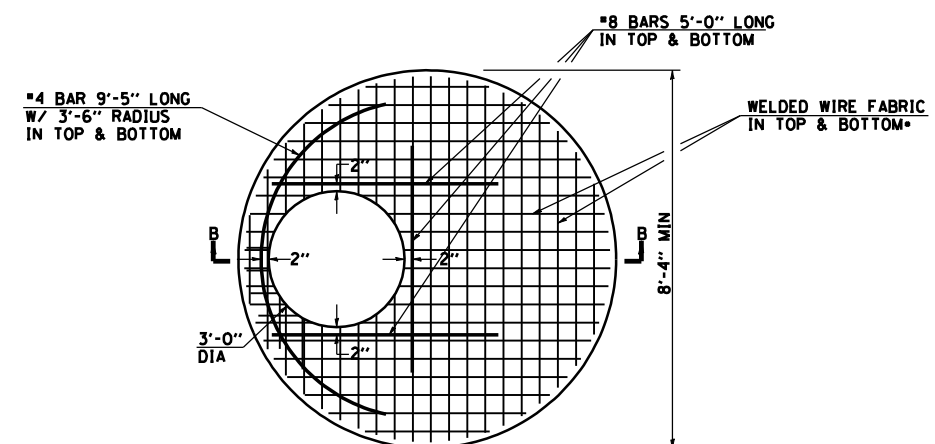
D-98-591-02
CONTRACT NO. 72680



DETAIL OF STANDARD 24" MEDIAN INLET ON FLAT SLAB TOP

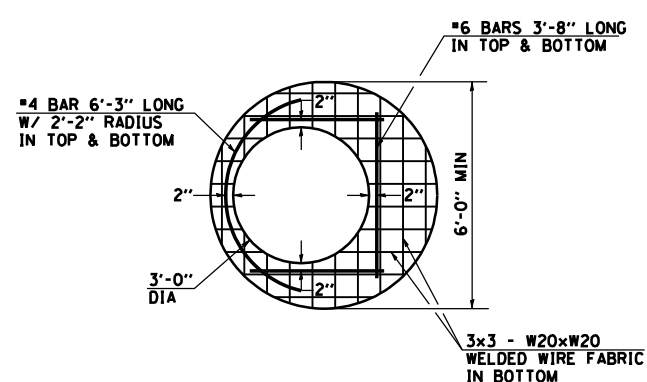


DETAIL OF STANDARD 36" MEDIAN INLET ON FLAT SLAB TOP

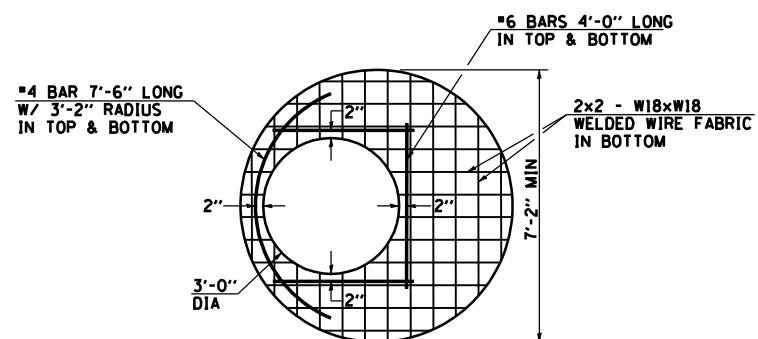


7' FLAT SLAB TOP DETAIL WITH 36" OPENING

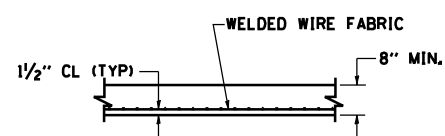
• 2x2 - W24xW24 IN BOTTOM
 6x6 - W10xW10 IN TOP



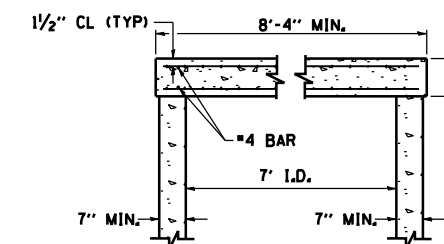
5' FLAT SLAB TOP DETAIL WITH 36" OPENING



6' FLAT SLAB TOP DETAIL WITH 36" OPENING



TYPICAL SLAB TOP SECTION FOR 5' OR 6' MANHOLES



SECTION B-B

REVISIONS	
NAME	DATE

ILLINOIS DEPARTMENT OF TRANSPORTATION

**FAP ROUTE 315
 MANHOLE AND FLAT
 SLAB TOP DETAILS**

DATE 1/31/06
 DRAWN BY JCG
 CHECKED BY JRB