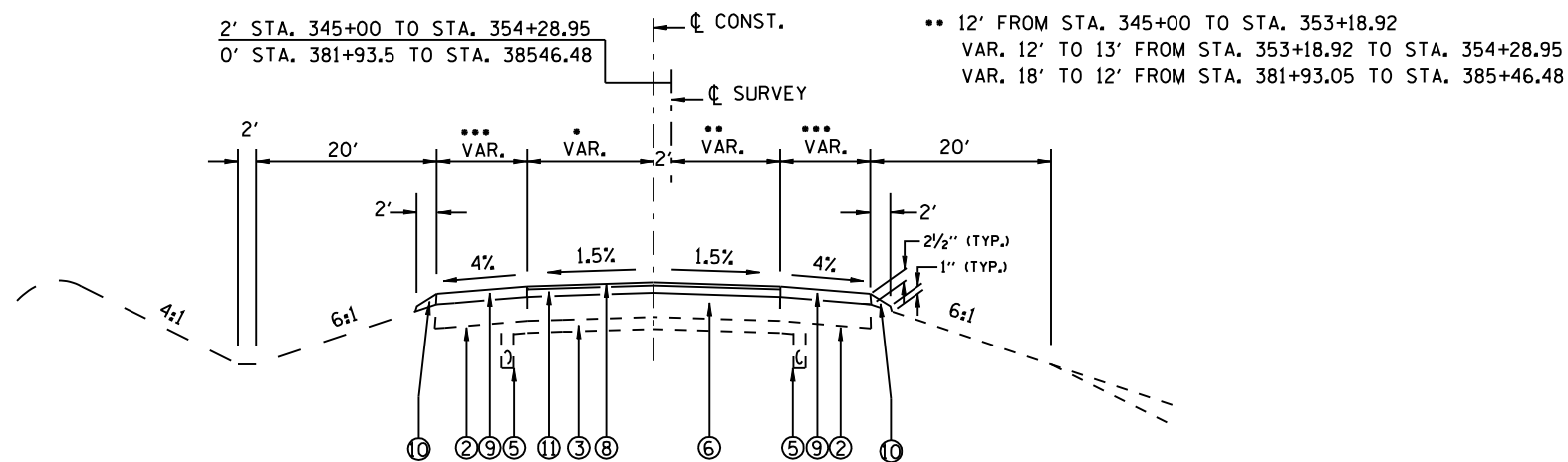


F.A.I. RTE.	SECTION	COUNTY	TOTAL SHEETS	SHEET NO.
72	186-10RS-2	SCOTT	52	23
STA.		TO STA.		
FED. ROAD DIST. NO.	ILLINOIS	FED. AID PROJECT		

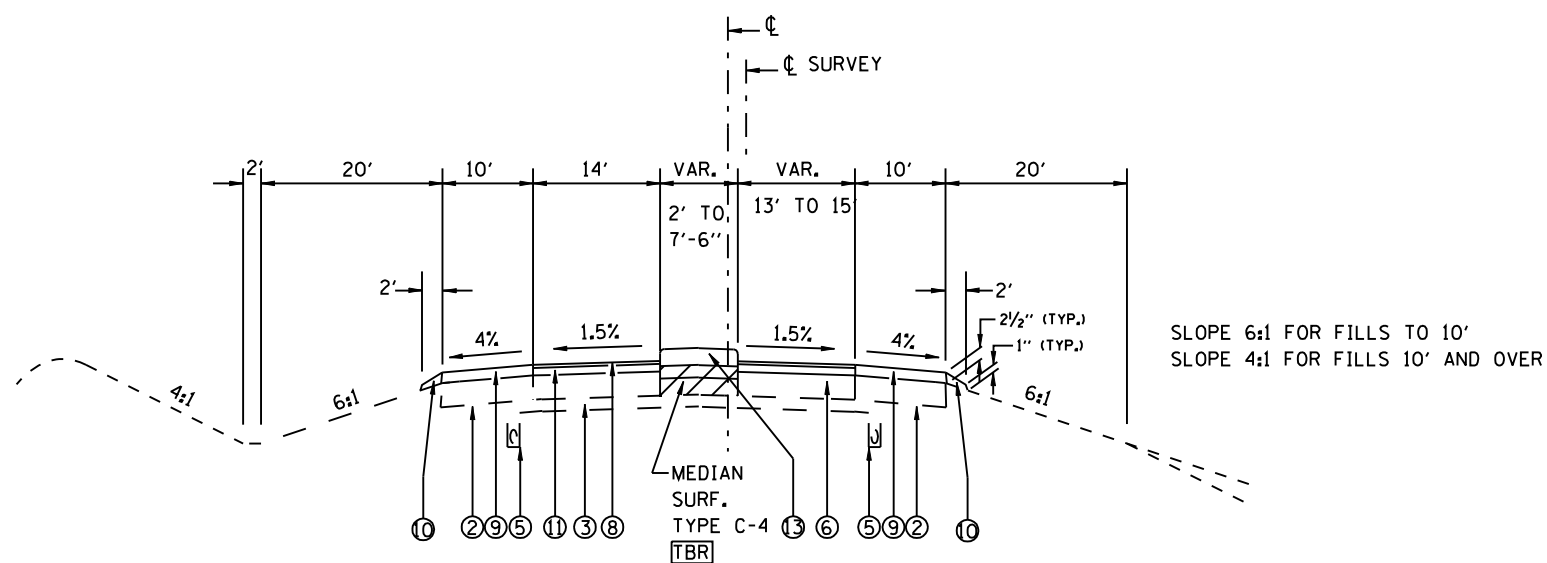
- 12' FROM STA. 345+00 TO STA. 351+29.90
VAR. 12' TO 18' FROM STA. 351+29.90 TO STA. 354+28.95
VAR. 13' TO 12' FROM STA. 381+93.05 TO STA. 383+21.48
12' FROM STA. 383+21.48 TO STA. 385+46.48
- 10' STA. 345+00 TO STA. 354+28.95 TO STA. 384+46.48
SHOULDER WIDTH TRANSITION
10' STA. 384+46.48 TO 5' STA. 385+46.48



TYPICAL CROSS SECTION OF OLD U.S. 36

STA. 345+00 TO STA. 354+28.95 •
STA. 381+93.50 TO STA. 385+46.48

- ① EXISTING AGGREGATE SHOULDERS TYPE A
- ② EXISTING 8" STABILIZED SHOULDER STANDARD 2237
- ③ EXISTING 4" STABILIZED SUB-BASE ON EARTH BASE
- ④ EXISTING 8" C.R.P.C.C. PAVM'T STANDARD 2224
- ⑤ EXISTING SUB-SURFACE DRAIN STANDARD 2327
- ⑥ EXISTING 8" STANDARD REINF. P.C. CONC. PAVEMENT
- ⑦ PROP. BITUMINOUS CONCRETE BINDER COURSE, 2 1/4"
- ⑧ PROP. BITUMINOUS CONCRETE SURFACE COURSE, 1 1/2"
- ⑨ PROP. BITUMINOUS CONCRETE SHOULDERS
- ⑩ PROP. AGGREGATE SHOULDERS, TYPE B
- ⑪ PROP. BITUMINOUS CONCRETE LEVEL BINDER COURSE, 1"
- ⑫ PROP. MEDIAN SURFACE TYPE C-4
- ⑬ PROP. UNDERDRAINS



TYPICAL CROSS SECTION OF OLD U.S. 36

STA. 354+28.95 TO STA. 355+38.95

REVISIONS		ILLINOIS DEPARTMENT OF TRANSPORTATION
NAME	DATE	
		TYPICAL SECTION FAI 72 SECTION 186-10RS-2 SCOTT COUNTY VERT. SCALE: 1" = 20' HORIZ. SCALE: 1" = 40' DATE: DECEMBER 23, 2002 DRAWN BY JJB CHECKED BY JWM