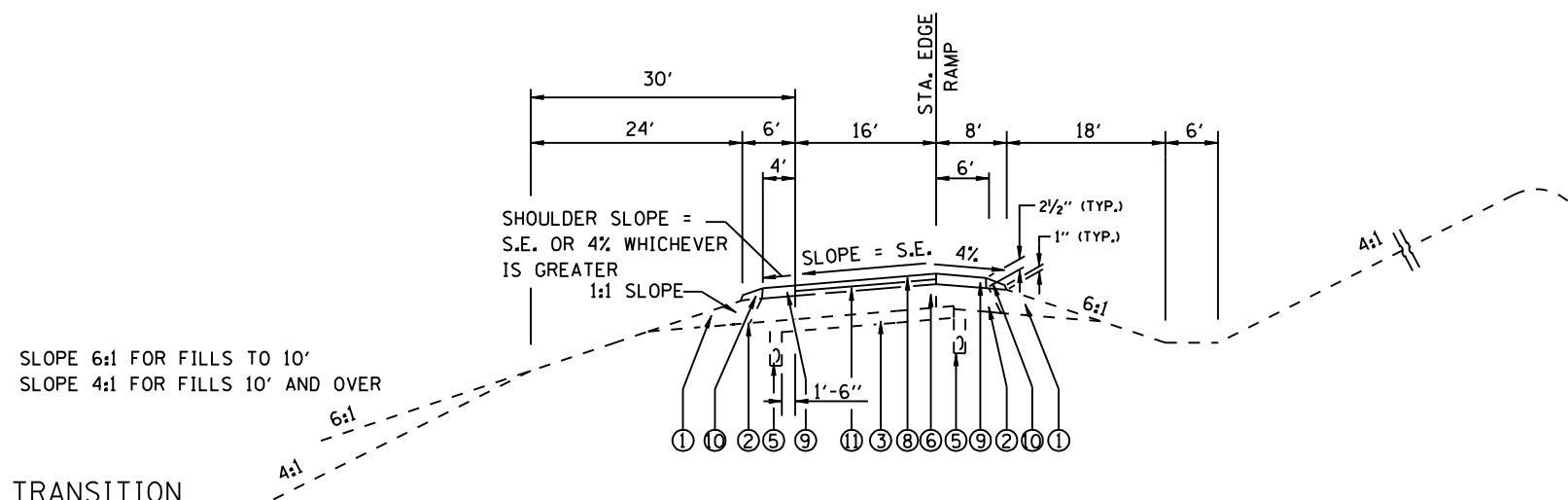


F.A.I. RTE.	SECTION	COUNTY	TOTAL SHEETS	SHEET NO.
72	186-10RS-2	SCOTT	52	27
STA.		TO STA.		
FED. ROAD DIST. NO.	ILLINOIS	FED. AID PROJECT		



TYPICAL CROSS SECTION OF RAMP
SUPER ELEVATED LEFT

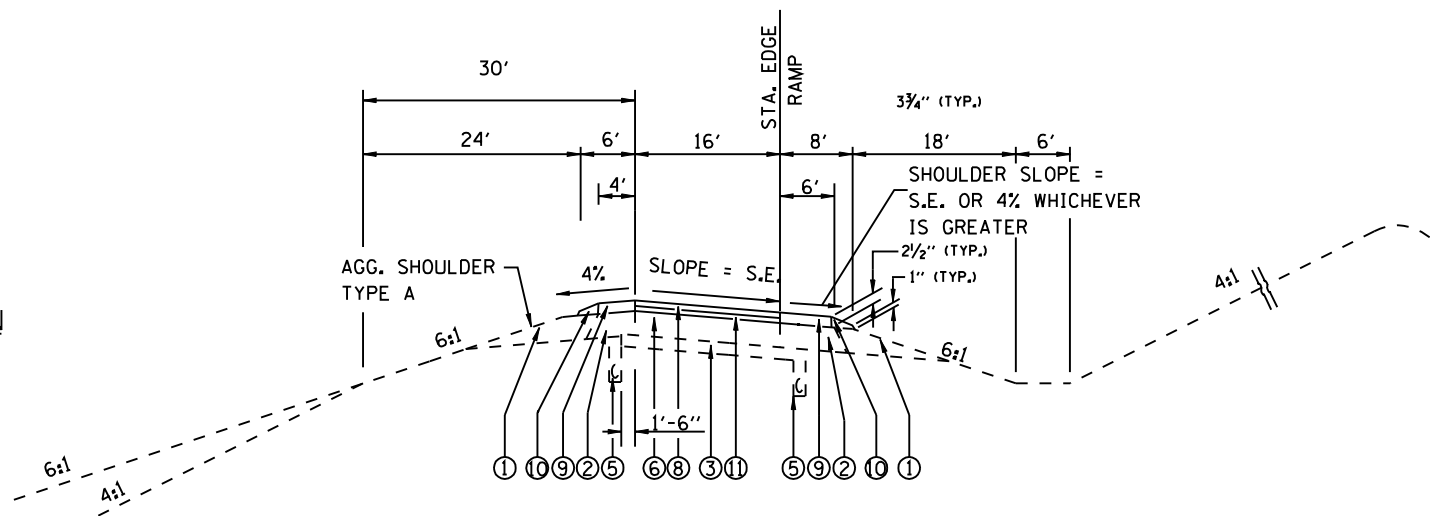
RAMP A STA. 122+05.98 TO STA. 124+89.30
RAMP B STA. 226+72.29 TO STA. 229+89.19
RAMP C STA. 333+74.66 TO STA. 338+73.04
RAMP D STA. 413+46.70 TO STA. 418+87.45

SLOPE 6:1 FOR FILLS TO 10'
SLOPE 4:1 FOR FILLS 10' AND OVER

SUPER-ELEVATION TRANSITION

RAMP A STA. 120+37.98 TO STA. 122+05.98
RAMP A STA. 124+89.30 TO STA. 126+57.30
RAMP B STA. 225+04.29 TO STA. 226+72.29
RAMP B STA. 229+89.19 TO STA. 231+57.19
RAMP C STA. 332+06.64 TO STA. 333+74.66
RAMP C STA. 338+73.04 TO STA. 340+41.04
RAMP D STA. 411+78.70 TO STA. 413+46.70
RAMP D STA. 418+87.45 TO STA. 420+55.45

- ① EXISTING AGGREGATE SHOULDERS TYPE A
- ② EXISTING 8" STABILIZED SHOULDER STANDARD 2237
- ③ EXISTING 4" STABILIZED SUB-BASE ON EARTH BASE
- ④ EXISTING 8" C.R.P.C.C. PAVM'T STANDARD 2224
- ⑤ EXISTING SUB-SURFACE DRAIN STANDARD 2327
- ⑥ EXISTING 8" STANDARD REINF. P.C. CONC. PAVEMENT
- ⑦ PROP. BITUMINOUS CONCRETE BINDER COURSE, 2 1/4"
- ⑧ PROP. BITUMINOUS CONCRETE SURFACE COURSE, 1 1/2"
- ⑨ PROP. BITUMINOUS CONCRETE SHOULDERS
- ⑩ PROP. AGGREGATE SHOULDERS, TYPE B
- ⑪ PROP. BITUMINOUS CONCRETE LEVEL BINDER COURSE, 1"
- ⑫ PROP. MEDIAN SURFACE TYPE C-4
- ⑬ PROP. UNDERDRAINS



TYPICAL CROSS SECTION OF RAMP
SUPER ELEVATED RIGHT

RAMP A STA. 113+55.60 TO STA. 118+53.98
RAMP B STA. 233+41.19 TO STA. 238+81.94
RAMP C STA. 327+39.34 TO STA. 330+22.65
RAMP D STA. 422+39.45 TO STA. 425+56.35

SUPER-ELEVATION TRANSITION

RAMP A STA. 111+87.60 TO STA. 113+55.60
RAMP A STA. 118+53.98 TO STA. 120+21.98
RAMP B STA. 231+73.19 TO STA. 233+41.19
RAMP B STA. 238+81.94 TO STA. 240+49.94
RAMP C STA. 325+71.34 TO STA. 327+39.34
RAMP C STA. 330+22.66 TO STA. 331+90.66
RAMP D STA. 420+71.45 TO STA. 422+39.45
RAMP D STA. 425+56.35 TO STA. 427+24.35

REVISIONS		ILLINOIS DEPARTMENT OF TRANSPORTATION
NAME	DATE	
		TYPICAL SECTION FAI 72 SECTION 186-10RS-2 SCOTT COUNTY

VERT. : NOT TO SCALE
SCALE: HORIZ. :
DATE : DECEMBER 23, 2002
DRAWN BY JJB
CHECKED BY JWM