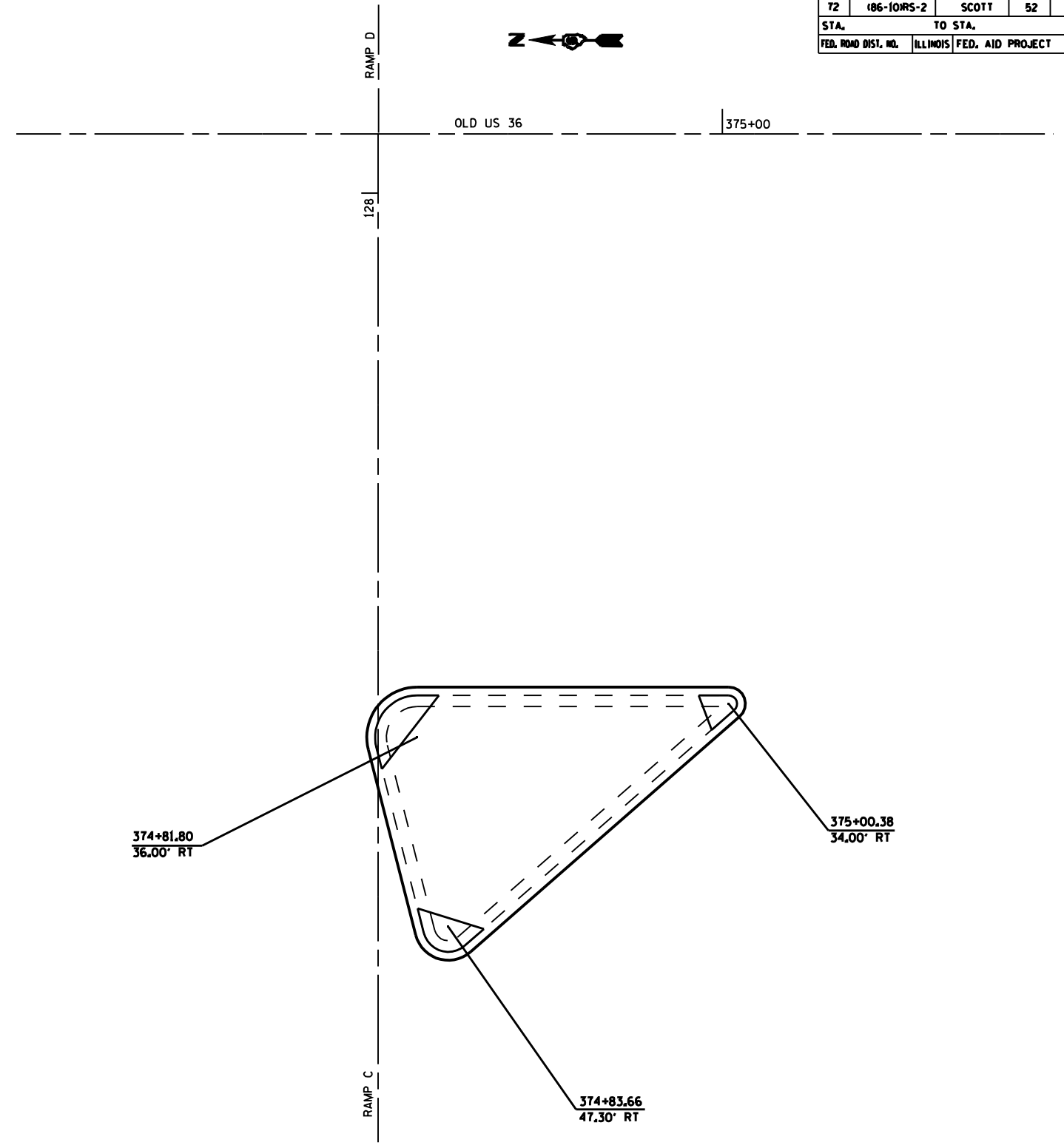
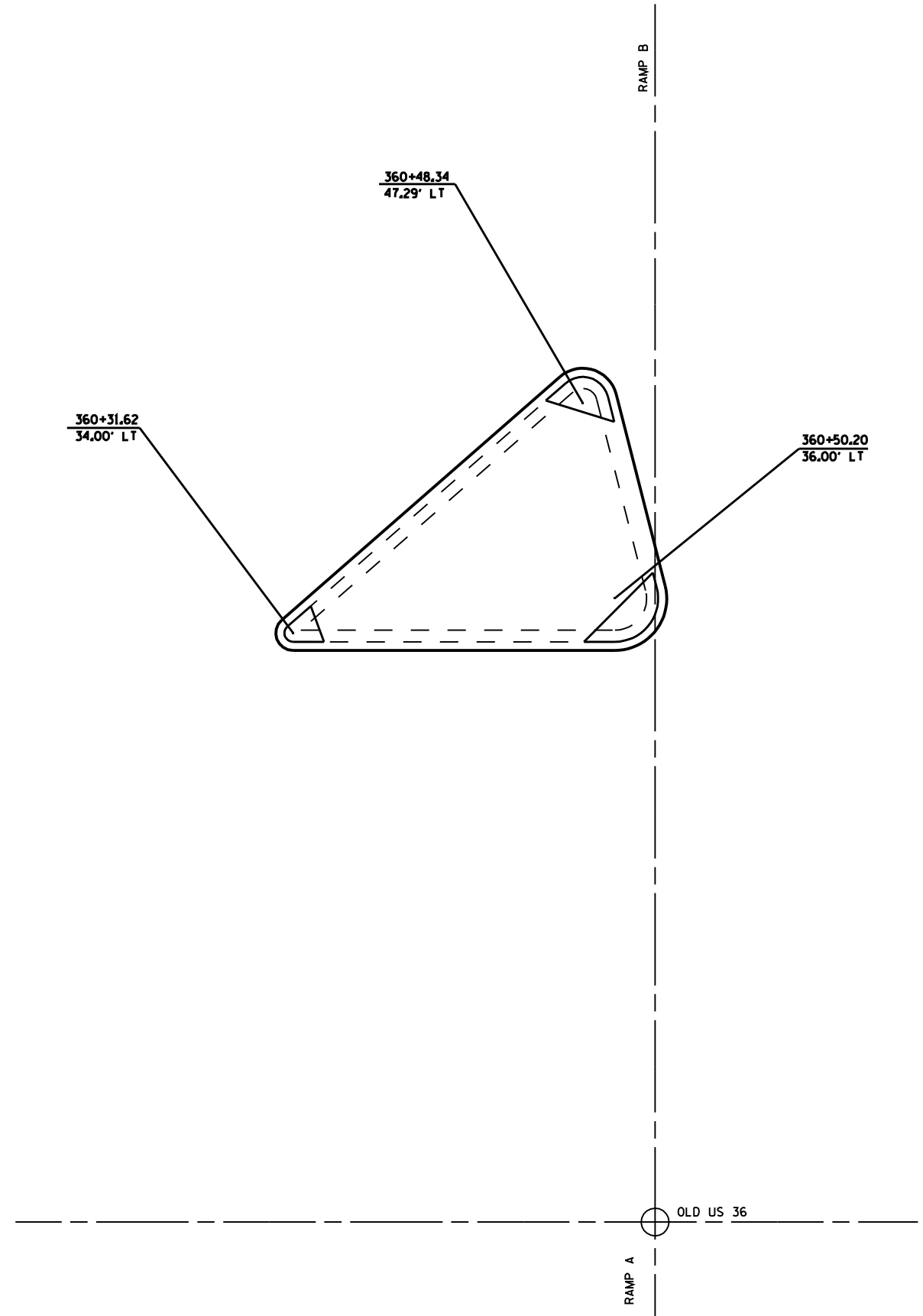


F.A.I. RTE.	SECTION	COUNTY	TOTAL SHEETS	SHEET NO.
72	186-10RS-2	SCOTT	52	43
STA.		TO STA.		
FED. ROAD DIST. NO.		ILLINOIS	FED. AID PROJECT	



•DGN-SPEC•  
•DATE-TIME•  
•REF01

REVISIONS	
NAME	DATE

ILLINOIS DEPARTMENT OF TRANSPORTATION  
**ISLAND DETAILS**  
**I-72 & OLD 36**  
**SCOTT COUNTY**

SCALE: VERT. \_\_\_\_\_  
          HORIZ. \_\_\_\_\_

DRAWN BY \_\_\_\_\_  
CHECKED BY \_\_\_\_\_