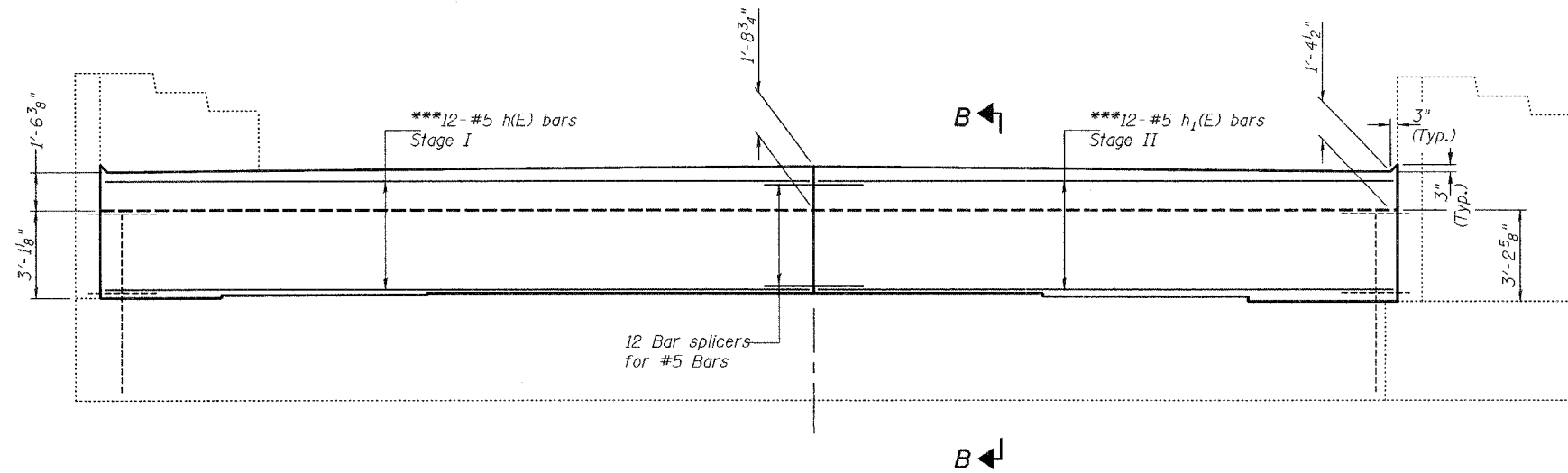


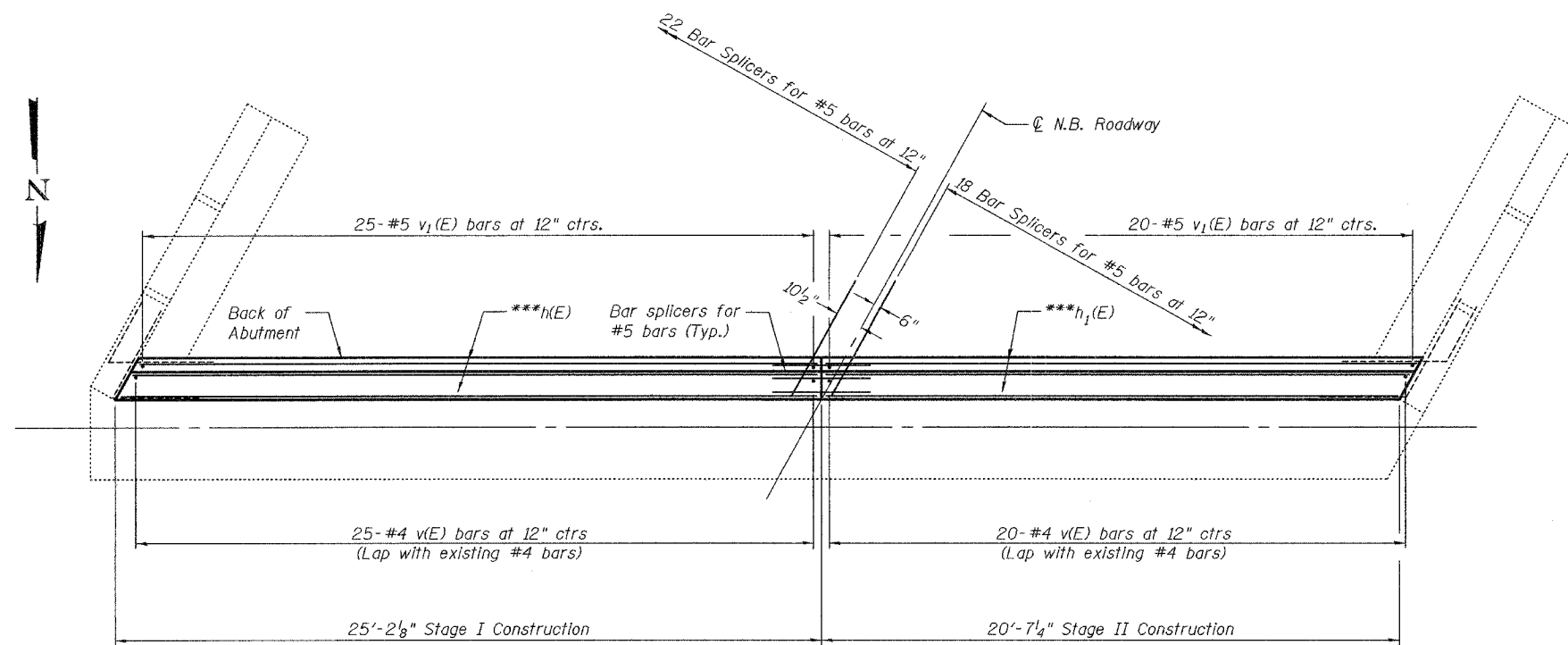
STATE OF ILLINOIS
DEPARTMENT OF TRANSPORTATION

ROUTE NO.	SECTION	COUNTY	SHEET NO.	SHEET NO.
I-57		Marion	13	11
FED. ROAD DIST. NO. 7	MILES	FED. AID PROJECT		

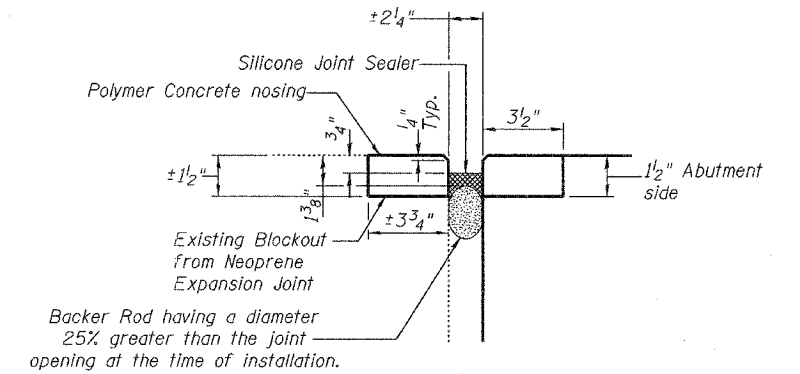
Contract Number: 74097



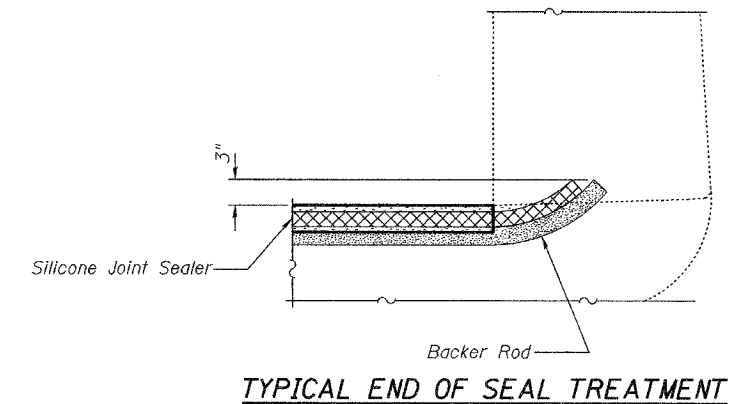
ELEVATION



PLAN



SILICONE JOINT SEAL DETAILS



TYPICAL END OF SEAL TREATMENT

Notes:
For Section B-B see sheet 5 of 8

DESIGNED	A.T.H.
CHECKED	S.J.B.
DRAWN	Drew Christopher
CHECKED	A.T.H. S.J.B.

February 28, 2006
EXAMINED *John A. Morris*
ENGINEER OF STRUCTURAL SERVICES
PASSED *Ralph E. Anderson*
ENGINEER OF BRIDGES AND STRUCTURES

SOUTH ABUTMENT DETAILS
I-57 OVER MISSOURI &
ILLINOIS RAILROAD
MARION COUNTY
SN 061-0049