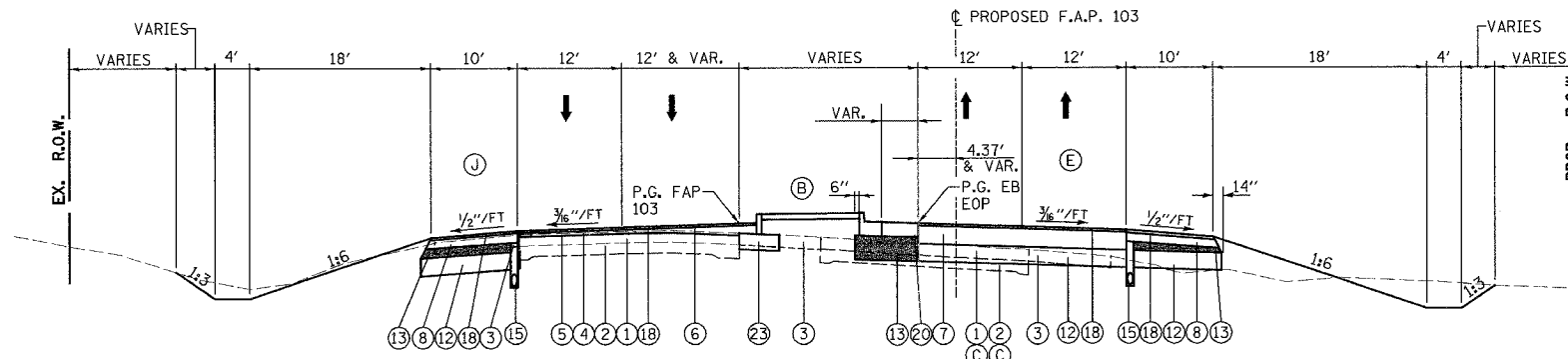


| | | | | |
|---|---------|-----------|--------------|-----------|
| F.A. RTE. | SECTION | COUNTY | TOTAL SHEETS | SHEET NO. |
| 103 | 27-1R | ST. CLAIR | 382 | 7 |
| STA. | TO STA. | | | |
| FED. ROAD DIST. NO. ILLINOIS FED. AID PROJECT | | | | |
| CONTRACT NO. 76300 | | | | |

LEGEND

- ① EXISTING RESURFACING - 7" AND VARIES (SEE STAGING PLAN FOR LOCATIONS OF PAVEMENT REMOVAL)
- ② EXISTING PCC PAVEMENT 9-7-9 (SEE STAGING PLAN FOR LOCATIONS OF PAVEMENT REMOVAL)
- ③ EXISTING BITUMINOUS SHOULDER (TO BE REMOVED)
- ④ PROPOSED BITUMINOUS SURFACE REMOVAL - 1-1/2"
- ⑤ PROPOSED BITUMINOUS CONCRETE SURFACE COURSE, SUPERPAVE, MIX "D", N90 - 1-1/2"
- ⑥ PROPOSED BITUMINOUS CONCRETE BINDER COURSE, SUPERPAVE, IL - 19.0, N90 - 2-1/4" MINIMUM
- ⑦ PROPOSED BITUMINOUS CONCRETE PAVEMENT (FULL-DEPTH) SUPERPAVE, 14"
- ⑧ PROPOSED BITUMINOUS SHOULDERS SUPERPAVE 8"
- ⑨ PROPOSED BITUMINOUS CONCRETE BASE COURSE WIDENING, SUPERPAVE 12- 1/2 "
- ⑩ PROPOSED CCC&G TY.B6.24
- ⑪ PROPOSED CONCRETE MEDIAN SURFACE, 4 INCH
- ⑫ PROPOSED LIME MODIFICATION -12"
- ⑬ PROPOSED SUBBASE GRANULAR MATERIAL, TYPE C
- ⑭ PROPOSED BITUMINOUS CONCRETE BINDER COURSE, SUPERPAVE, IL - 19.0, N90 - 12- 1/2 "
- ⑮ PROPOSED PIPE UNDERDRAINS
- ⑯ PROPOSED INCIDENTAL BITUMINOUS SURFACING, N90 - 2" MINIMUM
- ⑰ PROPOSED SUBBASE GRANULAR MATERIAL, TYPE B - 12" MINIMUM
- ⑱ PROPOSED BITUMINOUS MATERIALS (PRIME COAT) WITH AGGREGATE (PRIME COAT)
- ⑲ PROPOSED AGGREGATE SURFACE COURSE, TYPE-A - 6"
- ⑳ PROPOSED PORTLAND CEMENT CONCRETE PAVEMENT 9" (JOINTED)
- ㉑ PROPOSED CONCRETE CURB, TYPE B (DOWELLED)
- ㉒ PROPOSED SAND FILL
- ㉓ PROPOSED BITUMINOUS CONCRETE BINDER COURSE, SUPERPAVE, IL - 19.0, N90 - 12"
- ㉔ PROPOSED CONCRETE MEDIAN, TYPE SB (MODIFIED)
- ㉕ PROPOSED BITUMINOUS CONCRETE PAVEMENT (FULL-DEPTH) SUPERPAVE, 9"
- ㉖ PROPOSE STRIP REFLECTIVE CRACK CONTROL TREATMENT
 - CONSTRUCT MINIMUM 2" SURFACE COURSE ON EXISTING SHOULDER
- PROPOSED BITUMINOUS CONCRETE PAVEMENT FULL DEPTH SUPERPAVE, 14" SHALL CONSIST OF BITUMINOUS CONCRETE SURFACE COURSE, SUPERPAVE, MIX "D", NO - 2" AND BITUMINOUS CONCRETE BINDER COURSE, SUPERPAVE, 19.0, N90 - 12".
- CONSTRUCT FINAL 2" LIFT AFTER PLACING SURFACE COURSE ON ADJACENT PAVEMENT.
- BITUMINOUS CONCRETE SURFACE COURSE, SUPERPAVE MIX "D", N90 - 2" AND BITUMINOUS CONCRETE BINDER COURSE, SUPERPAVE, 19.0, N90 - 7"



TYPICAL 4-LANE DIVIDED-RAISED MEDIAN

STATION 153+92.00 TO 162+94.13

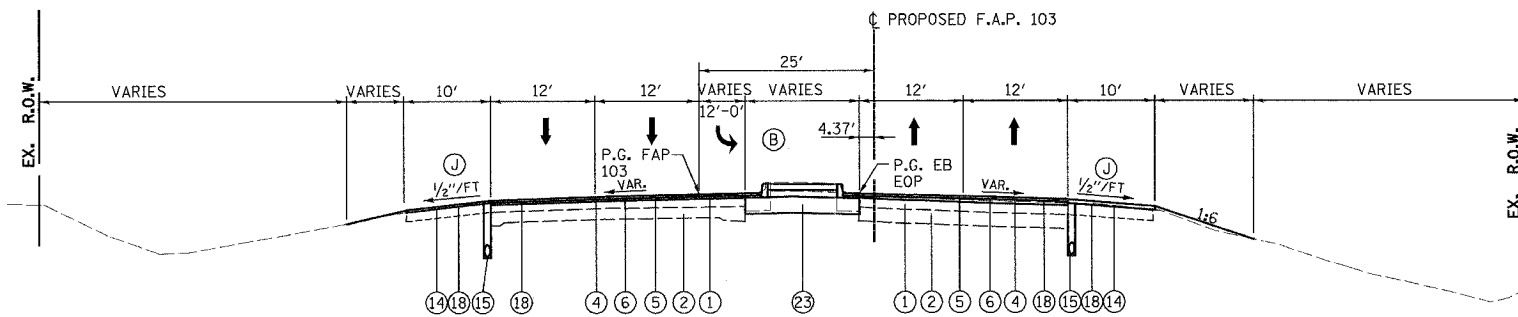
- (B) SEE INTERSECTION DETAIL, SHEET 173 FOR LIMITS AND DETAILS OF CONCRETE MEDIAN.
- (C) SEE CONSTRUCTION PLAN SHEET 54 FOR LIMIT OF PAVEMENT REMOVAL.
- (E) RT. LANES SUPER-ELEVATED; STATION 160+45.07 TO 161+83.66
- (J) MILL EXISTING BITUMINOUS SHOULDER AS NECESSARY TO PROVIDE MINIMUM 2" BITUMINOUS CONCRETE SURFACE CSE., SUPERPAVE OVERLAY TO THE FINAL LINES SHOWN ON THE PLANS.

NOTES
 APPLY STRIP REFLECTIVE CRACK CONTROL ON TOP OF THE EXISTING LONGITUDINAL PAVEMENT JOINT DOWN THE CENTER OF REMAINING EXISTING PAVEMENT AND ON TOP OF ALL NEW LONGITUDINAL JOINTS BETWEEN EXISTING PAVEMENT AND PROPOSED PAVEMENT WIDENING.

 THE MAXIMUM ALGEBRAIC DIFFERENCE BETWEEN PAVEMENT SLOPE AND SHOULDER SLOPE SHALL NOT EXCEED 0.08'/FT.

 SEE SHEET 16 FOR LOCATIONS REQUIRING SPECIAL DEPTH PROPOSED BITUMINOUS SURFACE REMOVAL.

 SHOULDER SUBGRADE FOR LIME MODIFIED SOILS SHALL BE SLOPED AT THE SAME RATE AS THE PAVEMENT SLOPE (TYPICALLY 3/16"/FT). WHEN CONSTRUCTED ADJACENT TO NEW TANGENT PAVEMENTS.



TYPICAL 4-LANE DIVIDED-RAISED MEDIAN

STATION 149+00.00 TO 153+92.00

- (A) SEE BUTT JOINT DETAIL, SHEET 164 FOR LIMITS OF BINDER COURSE.
- (B) SEE INTERSECTION DETAIL, SHEET 173 FOR LIMITS AND DETAILS OF CONCRETE MEDIAN.
- (J) MILL EXISTING BITUMINOUS SHOULDER AS NECESSARY TO PROVIDE MINIMUM 2" BITUMINOUS CONCRETE SURFACE CSE., SUPERPAVE OVERLAY TO THE FINAL LINES SHOWN ON THE PLANS.

| 5 - LANE SECTION | |
|--|------------------------------|
| STRUCTURAL DESIGN TRAFFIC: | YEAR 2015 |
| PV= 33.3 | SU= 4.2 MU= 2.5 |
| ROAD/STREET CLASSIFICATION: | CLASS I-OTHER PRINC. ARTER. |
| PERCENT OF STRUCTURAL DESIGN TRAFFIC IN DESIGN LANE: | |
| P= 32 | S= 45 M= 45 |
| TRAFFIC FACTOR: | ACTUAL TF= 3.1 AC TYPE= |
| | MINIMUM TF= 4.3 |
| PG GRADE: | BINDER= 64-22 SURFACE= 64-22 |
| SUBGRADE SUPPORT RATING: | |
| IBR= 3 | (STA. 298+86.67 TO 334+90) |
| SSR= POOR | (STA. 298+86.67 TO 334+90) |

| 4 - LANE DIVIDED HWY | |
|--|------------------------------|
| STRUCTURAL DESIGN TRAFFIC: | YEAR 2015 |
| PV= 32.4 | SU= 3.6 MU= 4.0 |
| ROAD/STREET CLASSIFICATION: | CLASS I-OTHER PRINC. ARTER. |
| PERCENT OF STRUCTURAL DESIGN TRAFFIC IN DESIGN LANE: | |
| P= 32 | S= 45 M= 45 |
| TRAFFIC FACTOR: | ACTUAL TF= 4.0 AC TYPE= |
| | MINIMUM TF= 4.27 |
| PG GRADE: | BINDER= 64-22 SURFACE= 64-22 |
| SUBGRADE SUPPORT RATING: | |
| IBR= 3 | (STA. 160+00 TO 298+86.67) |
| SSR= POOR | (STA. 160+00 TO 298+86.67) |

| ACCESS ROADS |
|----------------------------|
| STRUCTURAL DESIGN TRAFFIC: |
| MINIMUM DESIGN THICKNESS |

| REVISIONS | |
|-----------|------|
| NAME | DATE |
| | |
| | |
| | |
| | |
| | |

ILLINOIS DEPARTMENT OF TRANSPORTATION
 TYPICAL SECTIONS
 SHEET 1 OF 5 SHEETS
 F.A.P. 103 (IL. RTE. 13/15)
 SECTION 27-1R - ST. CLAIR CO.
 SCALE: NONE DRAWN BY CRO
 DATE February 11, 2005 CHECKED BY RCY

I:\2002\02058\1000\civil\cgm\typsect_03.dgn 3/9/2005 10:46:00 AM