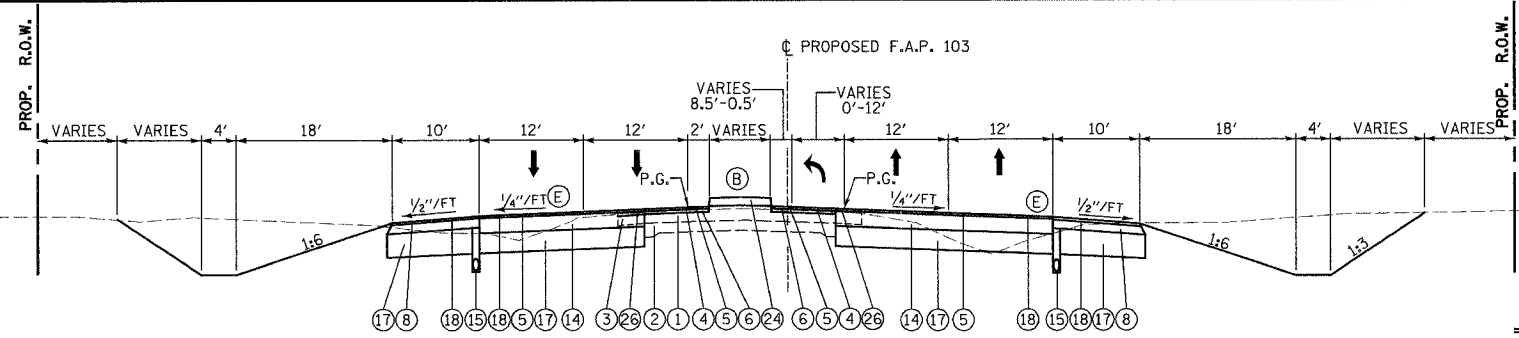


F.A. RTE.	SECTION	COUNTY	TOTAL SHEETS	SHEET NO.
103	27-1R	ST. CLAIR	382	9
STA.	TO STA.			
FED. ROAD DIST. NO. ILLINOIS FED. AID PROJECT				
CONTRACT NO. 76300				

LEGEND

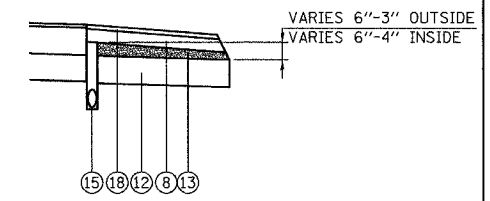
- ① EXISTING RESURFACING - 7" AND VARIES (SEE STAGING PLAN FOR LOCATIONS OF PAVEMENT REMOVAL)
- ② EXISTING PCC PAVEMENT 9-7-9 (SEE STAGING PLAN FOR LOCATIONS OF PAVEMENT REMOVAL)
- ③ EXISTING BITUMINOUS SHOULDER (TO BE REMOVED)
- ④ PROPOSED BITUMINOUS SURFACE REMOVAL - 1-1/2"
- ⑤ PROPOSED BITUMINOUS CONCRETE SURFACE COURSE, SUPERPAVE, MIX "D", N90 - 1-1/2"
- ⑥ PROPOSED BITUMINOUS CONCRETE BINDER COURSE, SUPERPAVE, IL - 19.0, N90 - 2-1/4" MINIMUM
- ⑦ PROPOSED BITUMINOUS CONCRETE PAVEMENT (FULL-DEPTH) SUPERPAVE, 14"
- ⑧ PROPOSED BITUMINOUS SHOULDERS SUPERPAVE 8"
- ⑨ PROPOSED BITUMINOUS CONCRETE BASE COURSE WIDENING, SUPERPAVE 12- 1/2 "
- ⑩ PROPOSED CCC&G TY.B6.24
- ⑪ PROPOSED CONCRETE MEDIAN SURFACE, 4 INCH
- ⑫ PROPOSED LIME MODIFICATION -12"
- ⑬ PROPOSED SUBBASE GRANULAR MATERIAL, TYPE C
- ⑭ PROPOSED BITUMINOUS CONCRETE BINDER COURSE, SUPERPAVE, IL - 19.0, N90 - 12- 1/2 "
- ⑮ PROPOSED PIPE UNDERDRAINS
- ⑯ PROPOSED INCIDENTAL BITUMINOUS SURFACING, N90 - 2" MINIMUM
- ⑰ PROPOSED SUBBASE GRANULAR MATERIAL, TYPE B - 12" MINIMUM
- ⑱ PROPOSED BITUMINOUS MATERIALS (PRIME COAT) WITH AGGREGATE (PRIME COAT)
- ⑲ PROPOSED AGGREGATE SURFACE COURSE, TYPE-A - 6"
- ⑳ PROPOSED PORTLAND CEMENT CONCRETE PAVEMENT 9" (JOINTED)
- ㉑ PROPOSED CONCRETE CURB, TYPE B (DOWELLED)
- ㉒ PROPOSED SAND FILL
- ㉓ PROPOSED BITUMINOUS CONCRETE BINDER COURSE, SUPERPAVE, IL - 19.0, N90 - 12"
- ㉔ PROPOSED CONCRETE MEDIAN, TYPE SB (MODIFIED)
- ㉕ PROPOSED BITUMINOUS CONCRETE PAVEMENT (FULL-DEPTH) SUPERPAVE, 9"
- ㉖ PROPOSE STRIP REFLECTIVE CRACK CONTROL TREATMENT
- CONSTRUCT MINIMUM 2" SURFACE COURSE ON EXISTING SHOULDER
- PROPOSED BITUMINOUS CONCRETE PAVEMENT FULL DEPTH SUPERPAVE, 14" SHALL CONSIST OF BITUMINOUS CONCRETE SURFACE COURSE, SUPERPAVE, MIX "D", NO - 2" AND BITUMINOUS CONCRETE BINDER COURSE, SUPERPAVE, 19.0, N90 - 12".
- CONSTRUCT FINAL 2" LIFT AFTER PLACING SURFACE COURSE ON ADJACENT PAVEMENT.
- BITUMINOUS CONCRETE SURFACE COURSE, SUPERPAVE MIX "D", N90 - 2" AND BITUMINOUS CONCRETE BINDER COURSE, SUPERPAVE, 19.0, N90 - 7"



TYPICAL 4-LANE - RAISED MEDIAN

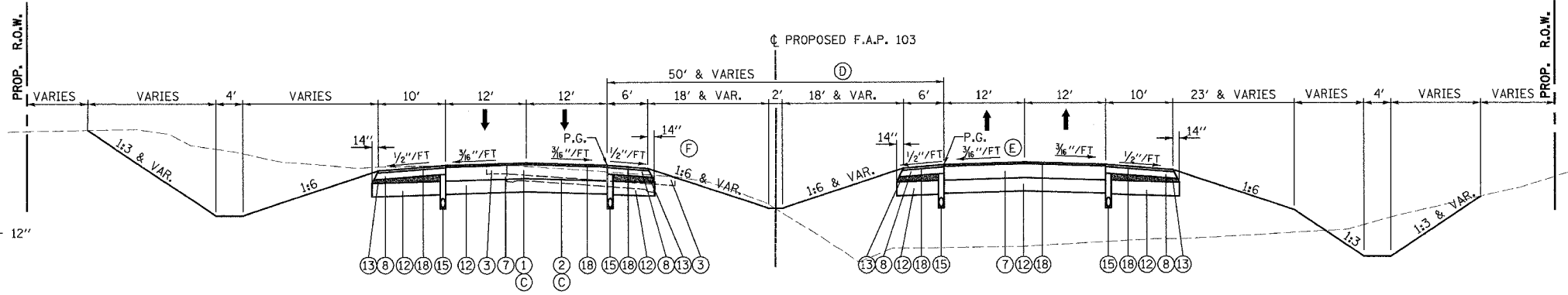
STATION 292+57.12 TO 297+60.00

- ⓑ SEE SHEET 174 FOR LIMITS AND DETAILS OF CONCRETE MEDIAN.
- ⓒ SEE CONSTRUCTION PLAN SHEETS 58 AND 65 FOR LIMITS OF PAVEMENT REMOVAL.
- ⓓ RT. LANES SUPER-ELEVATED: STATION 292+57.12 TO 293+84.74 RT.
- ⓔ LT. LANES SUPER-ELEVATED: STATION 292+57.12 TO 293+56.60 LT.



SUBBASE GRANULAR MATERIAL, TYPE C DETAIL

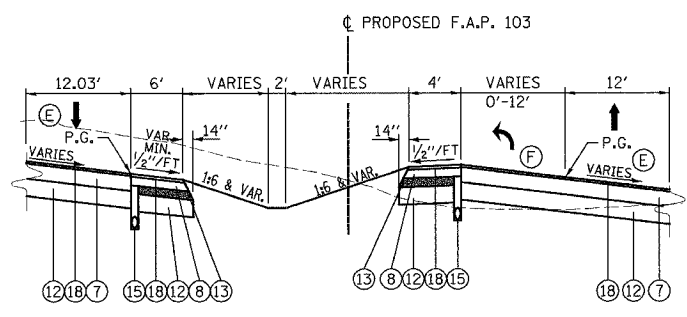
STATION 153+92.00 TO 289+67.55



TYPICAL 4-LANE DIVIDED - NORMAL CROWN

STATION 218+50.00 TO 221+06.94 STATION 266+73.45 TO 267+91.55
STATION 233+60.00 TO 239+45.00 STATION 285+25.00 TO 289+67.55

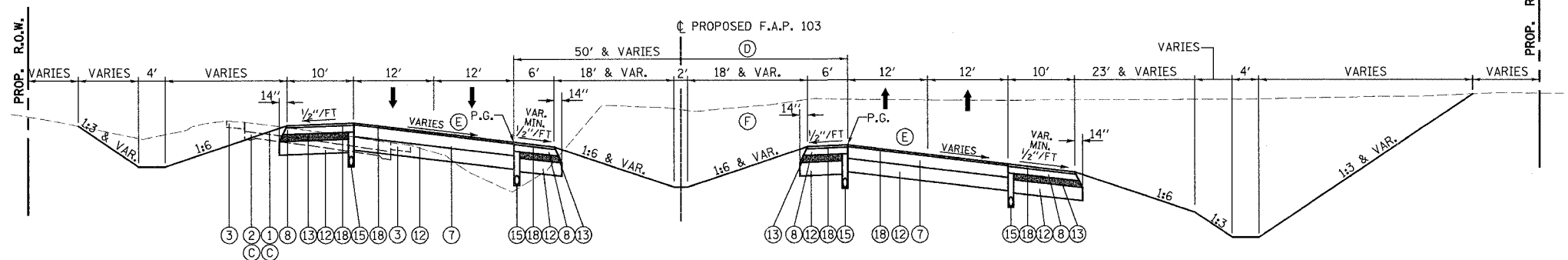
- ⓓ MEDIAN WIDTH VARIES FROM 26.4' @ STATION 285+25.00 TO 22.4' @ STATION 289+67.55
- ⓔ RT. LANES SUPER-ELEVATED: STATION 285+25.00 TO 285+80.52
- ⓕ STATION 288+57.32 TO 289+67.55
- ⓖ LT. LANES SUPER-ELEVATED: STATION 285+25.00 TO 286+54.39
- ⓗ SEE PLAN SHEET 29 AND 30 FOR LOCATION OF LEFT-TURN LANE.



LEFT-TURN LANE DETAIL

STATION 225+61.95 TO 231+66.95

NOTE: BIAXIAL GEOGRID IS REQUIRED IN THE FOLLOWING RANGES:
195+90 - 197+00 LT.
193+50 - 196+25 RT.
SEE SHEET 52A FOR DETAIL



TYPICAL 4-LANE DIVIDED - SUPER-ELEVATED

STATION 190+50.00 TO 201+50.00 STATION 262+10.00 TO 266+73.45
STATION 221+06.94 TO 230+00.00 STATION 267+91.55 TO 271+90.00
STATION 289+67.55 TO 292+57.12

- ⓐ SEE PLAN SHEET 62, 63, 64 AND 65 FOR LIMITS OF PAVEMENT REMOVAL.
- ⓓ MEDIAN WIDTH VARIES FROM 22.4' @ STATION 289+67.55 TO 18' @ STATION 292+42.32
- ⓔ SEE PLAN SHEET 27, 29, 31, 32 AND 33 FOR SUPER-ELEVATION RATE AND SLOPE DIRECTION.
- ⓕ SEE PLAN SHEET 27, 29, 32 AND 33 FOR LOCATION OF LEFT-TURN LANES, SUPER-ELEVATE TURN LANE TO MATCH THROUGH LANES.

REVISIONS	
NAME	DATE

ILLINOIS DEPARTMENT OF TRANSPORTATION
TYPICAL SECTIONS
SHEET 3 OF 5 SHEETS
F.A.P. 103 (IL. RTE. 13/15)
SECTION 27-1R - ST. CLAIR CO.
SCALE: NONE DRAWN BY CRO
DATE February 11, 2005 CHECKED BY RCY