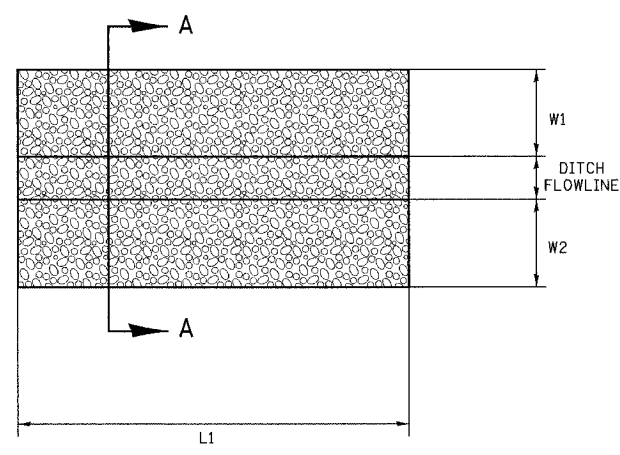
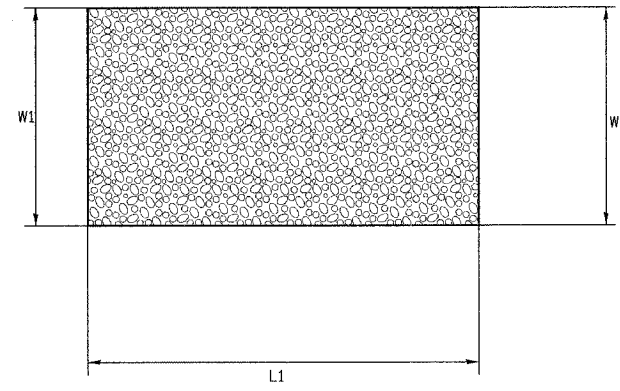


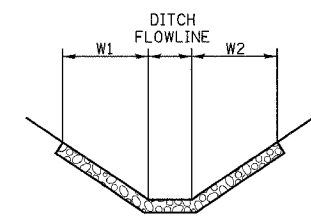
CULVERT END SECTION
EROSION CONTROL TREATMENT
DETAIL 1



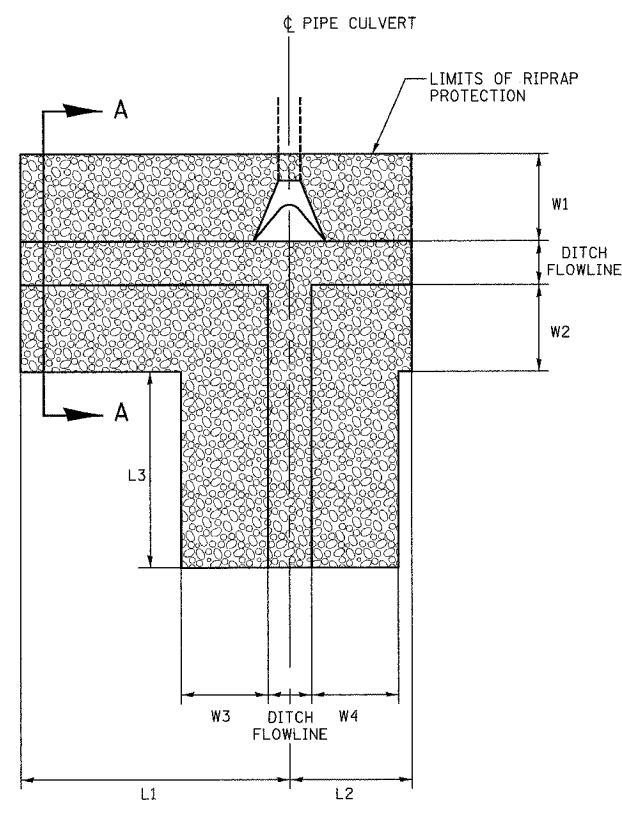
DITCH LINING
EROSION CONTROL TREATMENT
DETAIL 2



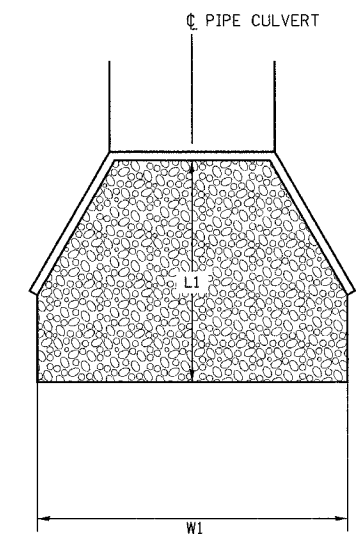
SLOPE LINING
EROSION CONTROL TREATMENT
DETAIL 3



SECTION A-A



CULVERT END SECTION
EROSION CONTROL TREATMENT
DETAIL 4



INLET AND OUTLET LINING
EROSION CONTROL TREATMENT
DETAIL 5

RIP RAP LOCATION	SIDE	W1 FOOT	W2 FOOT	W3 FOOT	W4 FOOT	L1 FOOT	L2 FOOT	L3 FOOT	STONE RIPRAP CLASS
DETAIL 1									
154+32.70 TO 154+66.86	LT.	11'	5'			25'	10'		STONE RIPRAP CLASS A6
154+19.84 TO 154+54.03	RT.	11'	5'			24'	10'		STONE RIPRAP CLASS A6
167+38.65 TO 169+10.00	LT.	9'	5'			130'	45'		STONE RIPRAP CLASS A7
179+45.34 TO 179+54.64	RT.	1'	9'			5'	5'		
184+90.00 TO 185+60.00	LT.	5'	5'			50'	35'		STONE DUMP RIPRAP CLASS A7
287+90.00 TO 288+40.00	RT.	5'	5'			43'	8'		STONE DUMP RIPRAP CLASS A5
DETAIL 2									
178+26.41 TO 178+26.42	LT.	3'	3'			40'			STONE RIPRAP CLASS A4
185+16.12 TO 185+20.18	RT.	5'	5'			35'			STONE RIPRAP CLASS A7
192+40.00 TO 196+34.86	LT.	5'	5'			424'			STONE DUMP RIPRAP CLASS A5
193+19.17 TO 194+10.00	RT.	5'	5'			86'			STONE DUMP RIPRAP CLASS A5
195+50.00 TO 197+00.00	MED.	5'	5'			157'			STONE DUMP RIPRAP CLASS A5
195+55.84 TO 195+63.35	LT.	5'	5'			11'			STONE DUMP RIPRAP CLASS A7
196+03.20 TO 196+60.19	RT.	5'	5'			58'			STONE DUMP RIPRAP CLASS A5
214+87.32 TO 215+83.30	LT.	5'	5'			102'			STONE DUMP RIPRAP CLASS A5
216+40.00 TO 217+10.00	MED.	6'	6'			70'			STONE DUMP RIPRAP CLASS A5
218+40.11 TO 218+75.00	LT.	6'	6'			50'			STONE DUMP RIPRAP CLASS A7
235+00.00 TO 236+50.00	LT.	9'	9'			150'			STONE DUMP RIPRAP CLASS A5
248+27.39 TO 248+27.39	LT.	3'	3'			11'			STONE RIPRAP CLASS A7
273+90.00 TO 274+07.64	MED.	3'	3'			18'			STONE DUMP RIPRAP CLASS A5
273+90.00 TO 274+60.00	MED.	6'	6'			70'			STONE DUMP RIPRAP CLASS A5
274+39.75 TO 274+60.00	MED.	3'	3'			20'			STONE DUMP RIPRAP CLASS A5
274+16.50 TO 274+61.58	RT.	6'	6'			48'			STONE RIPRAP CLASS A4
274+50.00 TO 274+50.00	LT.	4'	4'			8'			STONE RIPRAP CLASS A4
274+50.00 TO 274+52.39	LT.	4'	4'			36'			STONE RIPRAP CLASS A4
288+31.78 TO 288+31.93	LT.	6'	6'			38'			STONE RIPRAP CLASS A6
291+41.03 TO 291+60.98	LT.	2'	2'			20'			STONE RIPRAP CLASS A4
300+50.00 TO 301+02.28	RT.	6'	6'			54'			STONE RIPRAP CLASS A3
300+57.07 TO 300+74.44	LT.	12'	12'			37'			STONE RIPRAP CLASS A3
334+15.73 TO 334+22.94	RT.	4'	4'			20'			STONE DUMP RIPRAP CLASS A5
DETAIL 3									
328+44.93 TO 329+61.11	RT.	16'	10'			116'			STONE RIPRAP CLASS A3
328+45.36 TO 328+95.34	RT.	6'	6'			48'			STONE RIPRAP CLASS A3
329+65.10 TO 329+68.77	RT.	9'	9'			4'			STONE RIPRAP CLASS A3
333+84.95 TO 333+84.95	LT.	3'	17'			8'			STONE RIPRAP CLASS A3
332+62.29 TO 334+11.77	RT.	12'	28'			49'			STONE RIPRAP CLASS A3
333+81.53 TO 333+97.71	RT.	5'	5'			20'			STONE RIPRAP CLASS A3
DETAIL 4									
167+75.00 TO 168+10.00	RT.	5'	5'	5'	5'	31'	7'	24'	STONE RIPRAP CLASS A4
215+83.30 TO 219+10.00	LT.	5'	5'	6'	6'	318'	7'	24'	STONE DUMP RIPRAP CLASS A5
215+04.87 TO 215+78.55	RT.	5'	5'	8'	8'	68'	8'	10'	STONE DUMP RIPRAP CLASS A5
DETAIL 5									
195+87.43 TO 195+76.83	RT.	47'				25'			STONE RIPRAP CLASS A7
196+52.36 TO 196+56.17	LT.	46'				21'			STONE RIPRAP CLASS A7

REVISIONS	
NAME	DATE

ILLINOIS DEPARTMENT OF TRANSPORTATION

RIPRAP DETAILS

F.A.P. 103 (IL. RTE. 13/15)
SECTION 27-1R - ST. CLAIR CO.

SCALE: NTS DRAWN BY CRO
DATE February 11, 2005 CHECKED BY RCY

DATE: _____ BY: _____
SURVEYED: _____
PLAN: _____
NOTE BOOK: _____
NO. _____

DATE: _____ BY: _____
SURVEYED: _____
PLAN: _____
NOTE BOOK: _____
NO. _____