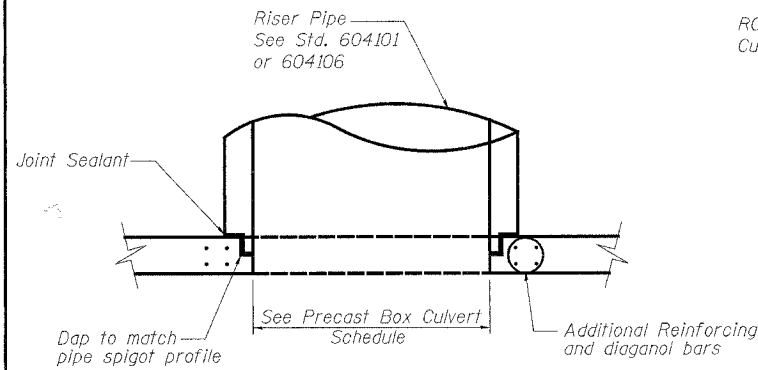


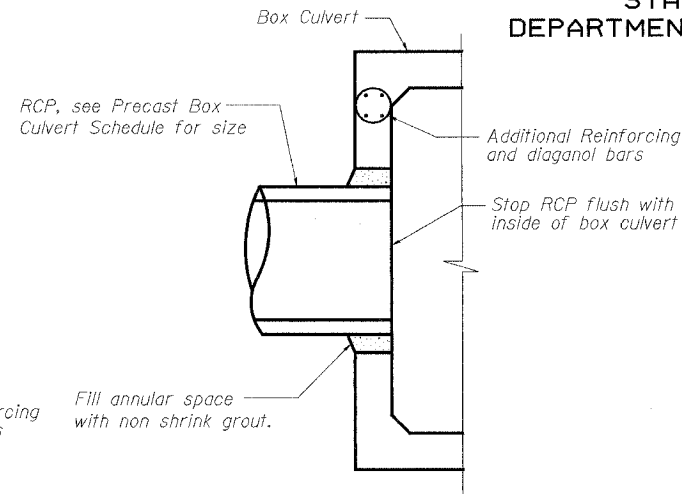
STATE OF ILLINOIS  
DEPARTMENT OF TRANSPORTATION

ROUTE NO.	SECTION	COUNTY	MILE	POST MILE	SHEET NO. 1
F.A.P. 103	27-1R	ST. CLAIR	382	199	2 SHEETS
FED. ROAD DIST. NO. 7	ILLINOIS	FED. AID PROJECT-			

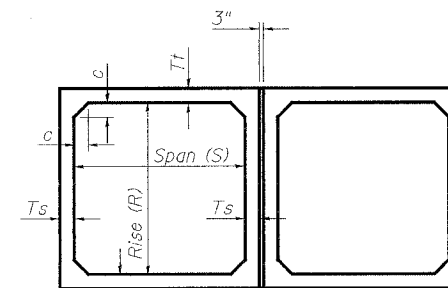
CONTRACT NO. 76300



**SECTION FOR TOP INLET**



**SECTION FOR SIDE INLET**

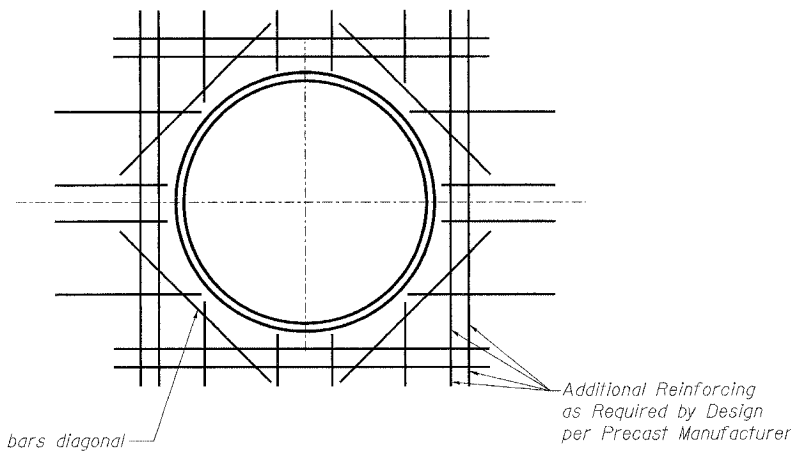


**DOUBLE CULVERT SECTION THRU BARREL (PRECAST)**

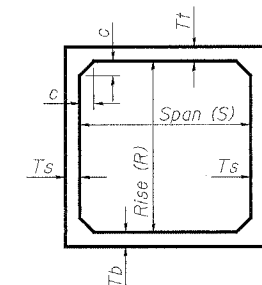
\*3" nominal space shall be left between adjacent precast sections. After the precast cells are in place and backfill has been placed to midheight of the precast concrete box section on each side, the space between the cells shall be filled with Class SI Concrete. This Class SI Concrete shall not be measured for payment.

**GENERAL NOTES**

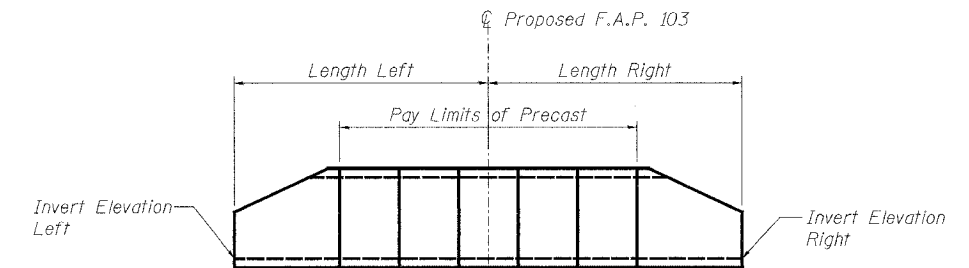
1. Reinforcement bars shall conform to AASHTO M31, M42, or M53 Grade 60.



**OPENING FOR MEDIAN INLET**



**SINGLE CULVERT SECTION THRU BARREL (PRECAST)**



**CROSS-SECTION**

Precast Box Culvert Schedule																						
Roadway Culvert Number	Station	Size, SxR (foot)	Tf (in)	Tb (in)	Ts (in)	Length (foot) (Pay limits)	Skew (deg) (from perp.)	Fill Height		Lengths		Invert Elevations		Pay Item Culvert Number	Qty*	End Sections					Inlet Openings ** In Top Slab Unless Noted	Remarks
								Min.	Max.	Left	Right	Left	Right			D	E	F	G	H		
62	167+81.52	4x3	5	5	5	182	0	4'-1"	8'-4"	98'-0"	100'-0"	502.67'	501.77'	1	2	8'-0"	2'-0"	6'-0"	1'-0"	2'-0"	36" dia at 1.00' RT.	
63	185+16.12	3x3	4	4	4	270	0	3'-2"	6'-11"	145'-0"	147'-0"	509.16'	508.35'	2	2	8'-0"	2'-0"	6'-0"	1'-0"	2'-0"	24" dia at 85.24' LT, 24" dia at 2.1' RT, 24" dia at 87.50' RT	
67	274+50.00	2x2	4	4	4	161	0	3'-8"	4'-6"	87'-0"	86'-0"	550.00'	550.70'	5	2	6'-0"	2'-0"	4'-0"	1'-0"	1'-0"	Opening in N. Side for 18" dia RCP at 5.00' LT	
68	288+32.00	Dbt 3x2	4	4	4	2x138=276	0	2'-4"	3'-3"	86'-0"	64'-0"	532.44'	532.90'	6	4	6'-0"	2'-0"	4'-0"	1'-0"	1'-0"	36" dia at 10.99' LT in each barrel	Provide Grates
2	AC. RD. LT. 1, 20+80.00	4x2	7	6	4	100	0	1'-1"	1'-5"	57'-0"	55'-0"	508.18'	508.52'	12	2	6'-0"	2'-0"	4'-0"	1'-0"	1'-0"		M273
61	AC. RD. LT. 3, 96+22.34	2x2	7	6	4	30	11.25 AH LT	0'-5"	1'-0"	22'-0"	20'-0"	548.00'	550.00'	7	2	6'-0"	2'-0"	4'-0"	1'-0"	1'-0"		M273

Notes:  
 -\*\*Box Culvert End Section, Culvert No. X" where X is the corresponding pay item culvert number.  
 -\*\*Layout from CL of proposed F.A.P. 103 along culvert LT.  
 -c Dimension = Ts

**BILL OF MATERIAL**

Item	Unit	Quantity
Box Culvert End Section, Culvert No. 1	EA	2
Box Culvert End Section, Culvert No. 2	EA	2
Box Culvert End Section, Culvert No. 5	EA	2
Box Culvert End Section, Culvert No. 6	EA	4
Box Culvert End Section, Culvert No. 7	EA	2
Box Culvert End Section, Culvert No. 12	EA	2
Precast Concrete Box Culvert 3x2	FT	276
Precast Concrete Box Culvert 2x2 (M273)	FT	30
Precast Concrete Box Culvert 3x3	FT	270
Precast Concrete Box Culvert 4x2 (M273)	FT	100
Precast Concrete Box Culvert 4x3	FT	182
Precast Concrete Box Culvert 2x2	FT	161

DESIGNED	KCM
CHECKED	TMM
DRAWN	EJR
CHECKED	TMM

PRECAST BOX CULVERTS  
 IL ROUTE 13/15  
 F.A.P. ROUTE 103 SECTION 27-1R  
 ST. CLAIR COUNTY