

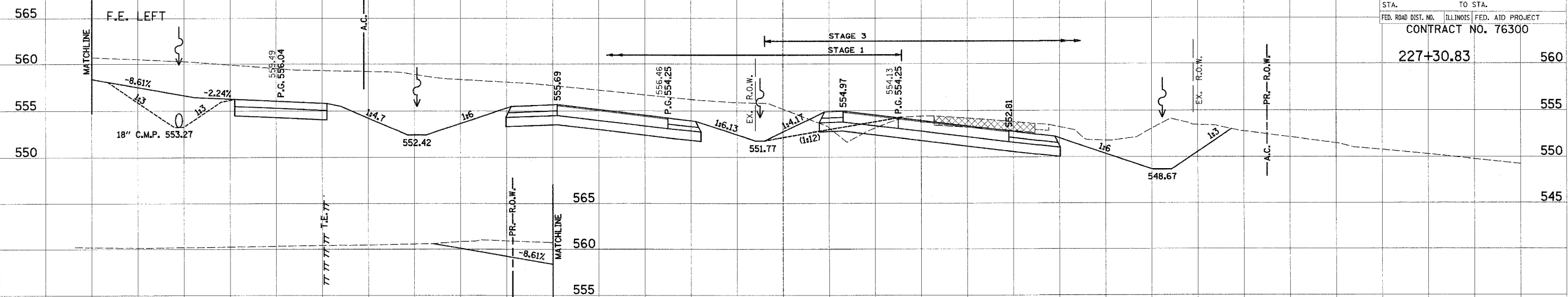
160 150 140 130 120 110 100 90 80 70 60 50 40 30 20 10 0 10 20 30 40 50 60 70 80 90 100 110 120

PROP. F.A.P. 103

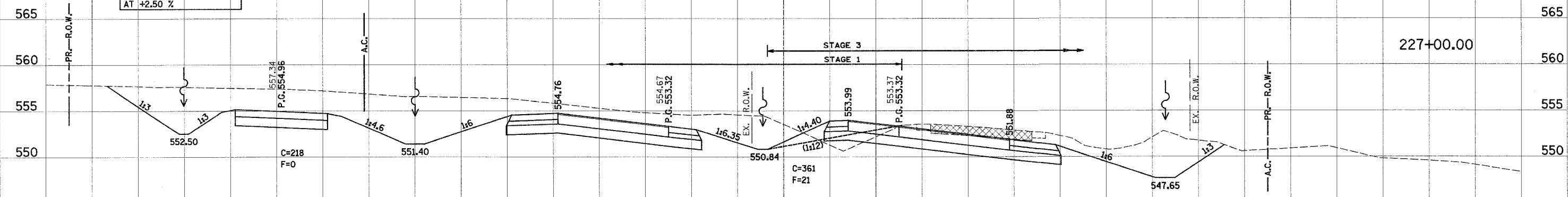
F.A. RTE.	SECTION	COUNTY	TOTAL SHEETS	SHEET NO.
103	27-1R	ST. CLAIR	382	263
STA. 227+30.83		TO STA. 227+00.00		
FED. ROAD DIST. NO. ILLINOIS FED. AID PROJECT CONTRACT NO. 76300				

DATE	BY
DATE	BY
DATE	BY
DATE	BY

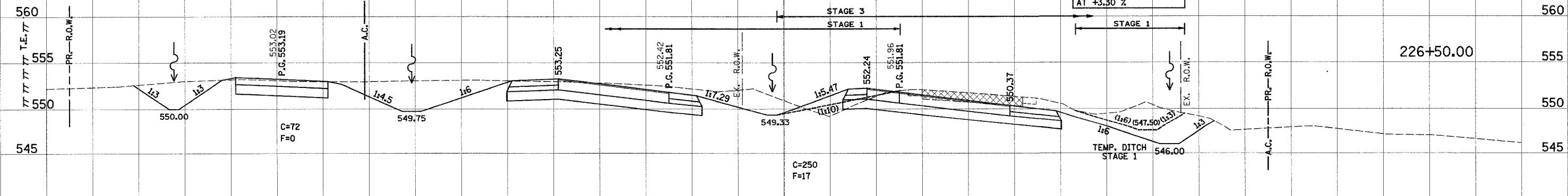
DATE	BY
DATE	BY
DATE	BY
DATE	BY



SPEC. DITCH LT. AC. RD.
STA. 227+00 TO 229+00
AT +2.50 %



SPEC. DITCH RIGHT
STA. 226+50 TO 231+50
AT +3.30 %



160 150 140 130 120 110 100 90 80 70 60 50 40 30 20 10 0 10 20 30 40 50 60 70 80 90 100 110 120 130 140 150 160