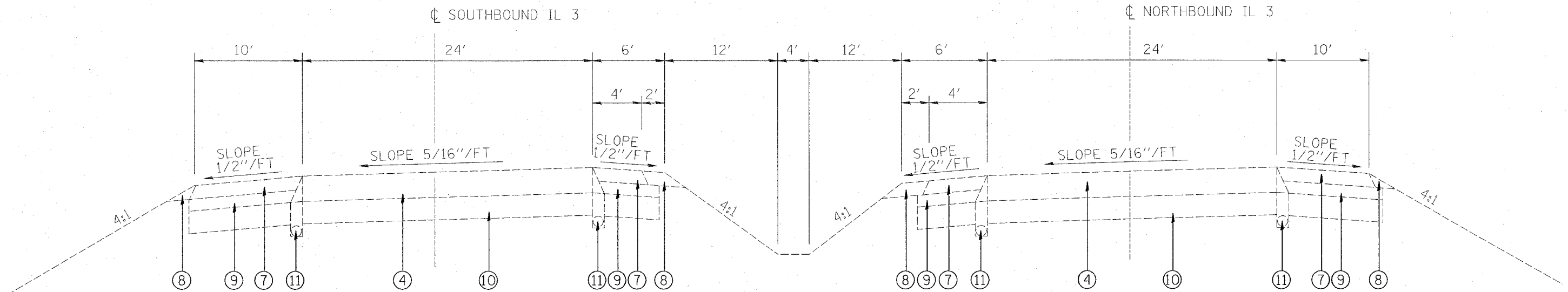
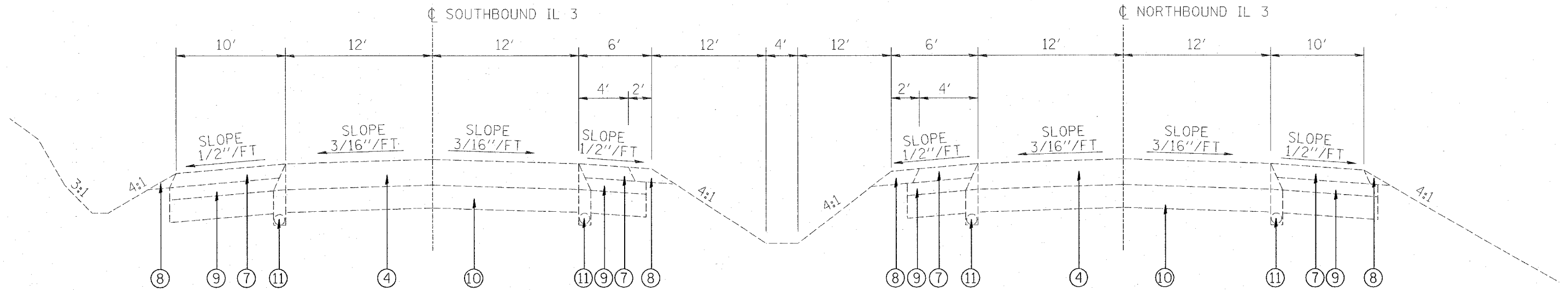


F.A.P. RTE.	SECTION	COUNTY	TOTAL SHEETS	SHEET NO.
312	66-3I	MONROE	45	7
STA.		TO STA.		
FED. ROAD DIST. NO.		ILLINOIS FED. AID PROJECT		



SUPERELEVATED SECTION
STA. 623+00 TO STA. 626+81.07



TANGENT SECTION
STA. 626+81.07 TO STA. 627+00

LEGEND

- ④ EXISTING BITUMINOUS CONCRETE PAVEMENT (FULL DEPTH), TYPE 2, 14"
- ⑦ EXISTING BITUMINOUS SHOULDERS, 8"
- ⑧ EXISTING AGGREGATE SHOULDERS, TYPE B
- ⑨ EXISTING SUB-BASE GRANULAR MATERIAL, TYPE C
- ⑩ EXISTING LIME MODIFIED SOILS, 12"
- ⑪ EXISTING PIPE UNDERDRAINS, 4"

REVISIONS	
NAME	DATE

ILLINOIS DEPARTMENT OF TRANSPORTATION
EXISTING TYPICAL SECTIONS
FAP ROUTE 312 (IL 3)
SECTION 66-3I
MONROE COUNTY

SCALE: VERT.
HORIZ.
DATE

DRAWN BY
CHECKED BY

PLOT DATE = #DATE#
FILE NAME = #FILE#
PLOT SCALE = #SCALE#
REFERENCE = #REF#