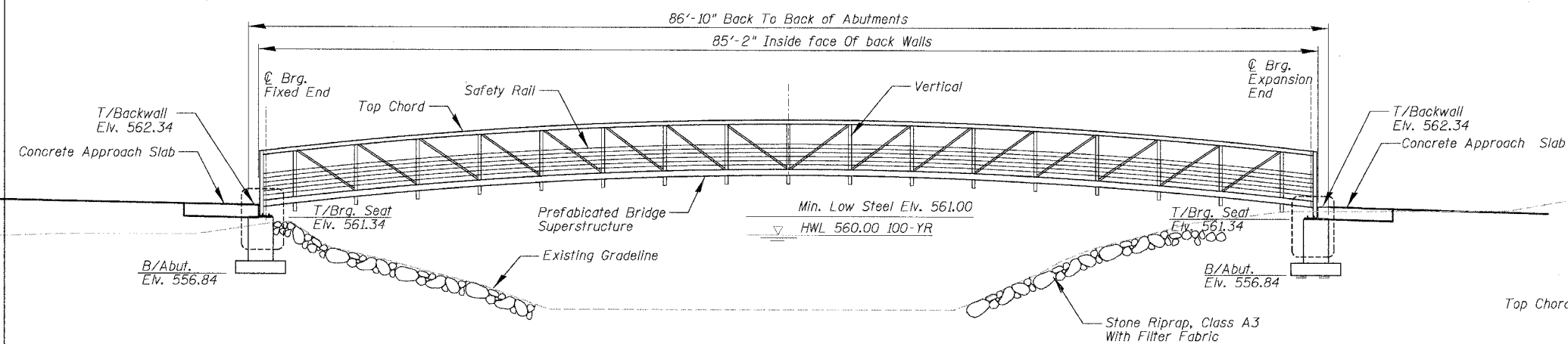
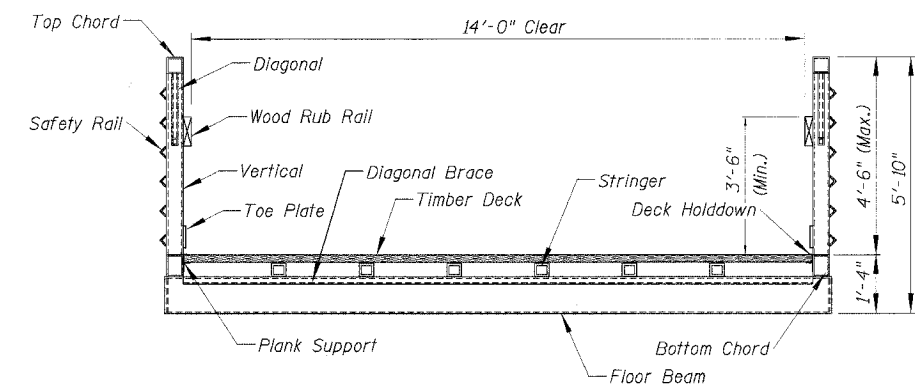


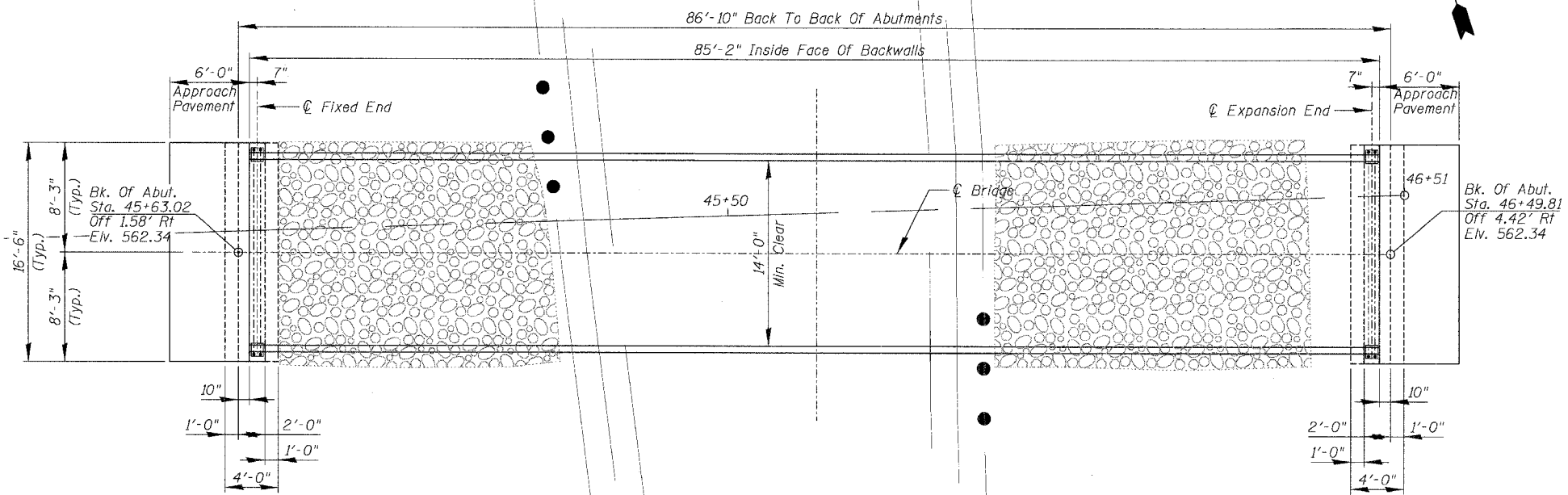
F.A.U. RTE.	SECTION	COUNTY	TOTAL SHEETS	SHEET NO.
--	00-P4003-00-BT	WILL	57	17A
STA.	TO STA.			
FED. ROAD DIST. NO. 1	ILLINOIS	FED. AID PROJECT		
CONTRACT NO. 83532				



**BRIDGE ELEVATION**  
Scale: 3/16" = 1'-0"



**CROSS SECTION**



**BRIDGE PLAN**  
Scale: 3/16" = 1'-0"

**LOADING H5**

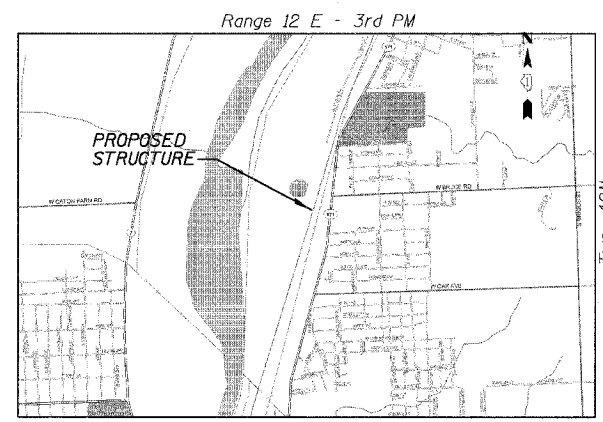
**DESIGN SPECIFICATIONS**  
1997 AASHTO Guide Specifications for Pedestrian Bridges  
2002 AASHTO Standard Specifications For Highway Bridges (17th Edition)

**DESIGN STRESSES**  
FIELD UNITS

$f'_c = 4,000$  psi  
 $f_y = 50,000$  psi (structural steel) (M270 Grade 50W)  
 $f_y = 60,000$  psi (Reinf.)

**SEISMIC DATA**

Seismic Performance Category (SPC) = A  
Bedrock Acceleration Coefficient = 0.04  
Site Coefficient = 1.0



**LOCATION SKETCH**

REVISIONS NAME	DATE
STRUCTURE REVISIONS	7/5/02

ILLINOIS DEPARTMENT OF TRANSPORTATION  
**GENERAL PLAN**

SCALE: AS SHOWN  
DATE 2/14/2006

DRAWN BY PDR  
CHECKED BY JPR

N:\lockport\B01\_2533\FLLWOODPARK\STRUCT\B0125-PROJ.TSL