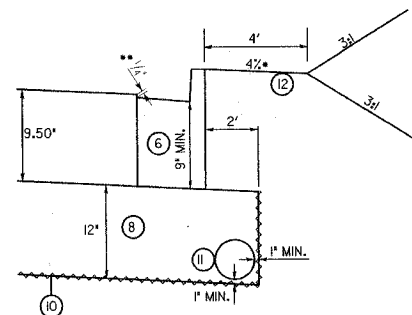


CURB & GUTTER / SHOULDER DETAIL



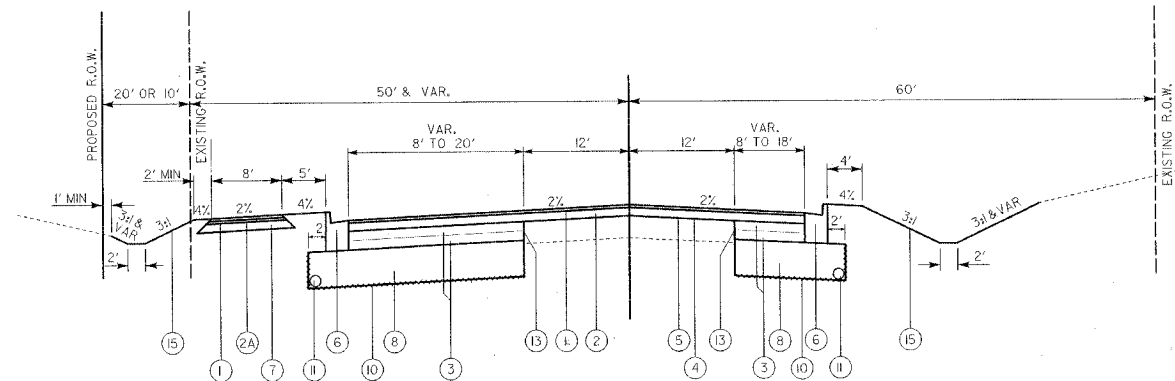
*SLOPES AWAY FROM ROAD IN FILL SECTIONS
SLOPES TOWARD ROAD IN CUT SECTIONS

** ELEVATIONS SHOWN ON THE CROSS SECTIONS
REPRESENT THE EDGE OF CURB FLAG AND
TOP OF CURB. THE EDGE OF PAVEMENT
WILL BE 1/4" HIGHER.

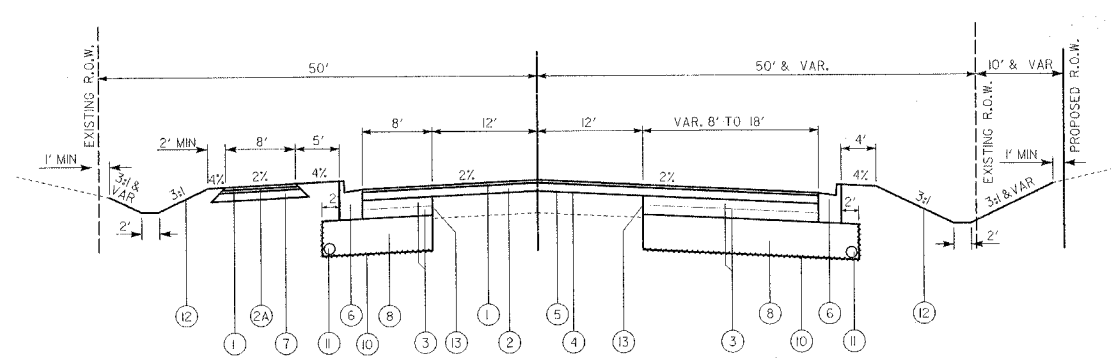
MIX REQUIREMENT CHART

| CODE | ITEM | AC TYPE | VOIDS | MAX RAP % |
|----------|---|----------|--------------|-----------|
| X4066426 | BITUMINOUS CONCRETE SURFACE COURSE, SUPERPAVE, MIX 'D', N70 | PG 64-22 | 4% @ 70 GYR. | 10% |
| X4066616 | BITUMINOUS CONCRETE BINDER COURSE, SUPERPAVE, IL-19.0, N70 | PG 64-22 | 4% @ 70 GYR. | 15% |
| X4066770 | LEVELING BINDER (MACHINE METHOD), SUPERPAVE N70 | PG 64-22 | 4% @ 70 GYR. | 10% |
| 44201781 | CLASS D PATCHES, TYPE I, 10 INCH | | | |
| 44201785 | CLASS D PATCHES, TYPE II, 10 INCH | PG 64-22 | 4% @ 70 GYR. | 15% |
| 44201789 | CLASS D PATCHES, TYPE III, 10 INCH | | | |
| 44201771 | CLASS D PATCHES, TYPE IV, 10 INCH | | | |

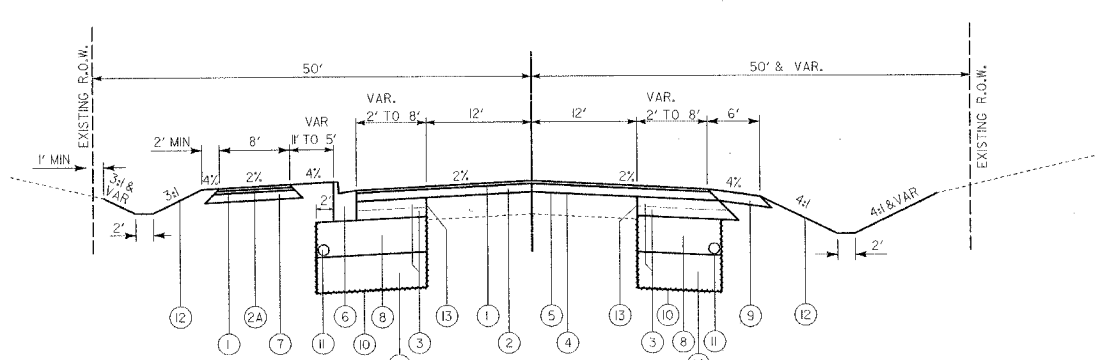
THE UNIT WEIGHT USED TO CALCULATE ALL SURFACE MIXTURES IS 112 POUNDS/SQUARE YARD/INCH.



PROPOSED TYPICAL SECTION
MIDLOTHIAN ROAD
STA 87+58.65 TO 96+00.00
NOT TO SCALE



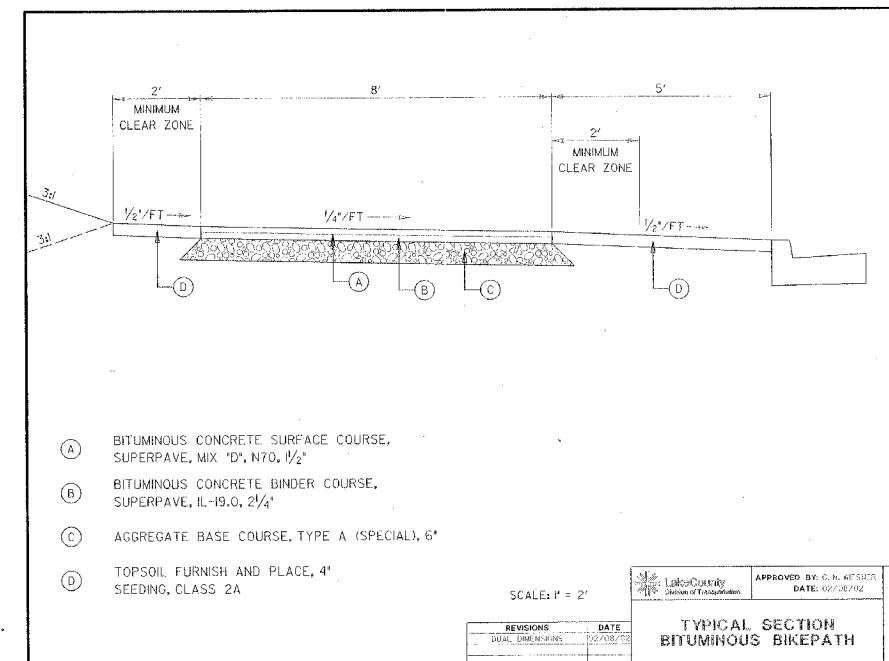
PROPOSED TYPICAL SECTION
MIDLOTHIAN ROAD
STA 82+32.00 TO 87+58.65
NOT TO SCALE



PROPOSED TYPICAL SECTION
MIDLOTHIAN ROAD
STA 78+22.00 TO 82+32.00
NOT TO SCALE

PROPOSED TYPICAL SECTION LEGEND

- ① 1 1/2" BITUMINOUS CONCRETE SURFACE COURSE, SUPERPAVE, MIX 'D', N70
- ② 2 1/4" BITUMINOUS CONCRETE BINDER COURSE, SUPERPAVE, IL-19.0, N70
- ②A 2 1/4" BITUMINOUS CONCRETE BINDER COURSE, SUPERPAVE, IL-19.0, N70
- ③ 5 3/4" BITUMINOUS CONCRETE BINDER COURSE, SUPERPAVE, IL-19.0, N70 (2 LIFTS: 3", 2 3/4")
- ④ 3/4" LEVELING BINDER (MACHINE METHOD), SUPERPAVE, N70
- ⑤ AREA REFLECTIVE CRACK CONTROL TREATMENT (TO BE PLACED ON LEVELING BINDER)
- ⑥ COMBINATION CONCRETE CURB & GUTTER, TYPE B-6.24
- ⑦ 6" AGGREGATE BASE COURSE, TYPE A (SPECIAL)
- ⑧ 12" AGGREGATE SUBGRADE
- ⑨ 6" AGGREGATE SHOULDER, TYPE A
- ⑩ GEOTECHNICAL FABRIC FOR GROUND STABILIZATION
- ⑪ 4" PIPE UNDERDRAIN
- ⑫ TOPSOIL AND SODDING
- ⑬ SAWCUT
- ⑭ 12" REMOVAL AND REPLACEMENT OF UNSUITABLE MATERIAL TO BE PAID FOR AS EARTH EXCAVATION, SPECIAL AND POROUS GRANULAR EMBANKMENT, SPECIAL WHERE SHOWN ON THE CROSS SECTIONS OR AS DETERMINED BY THE ENGINEER.
- ⑮ TOPSOIL AND SEEDING

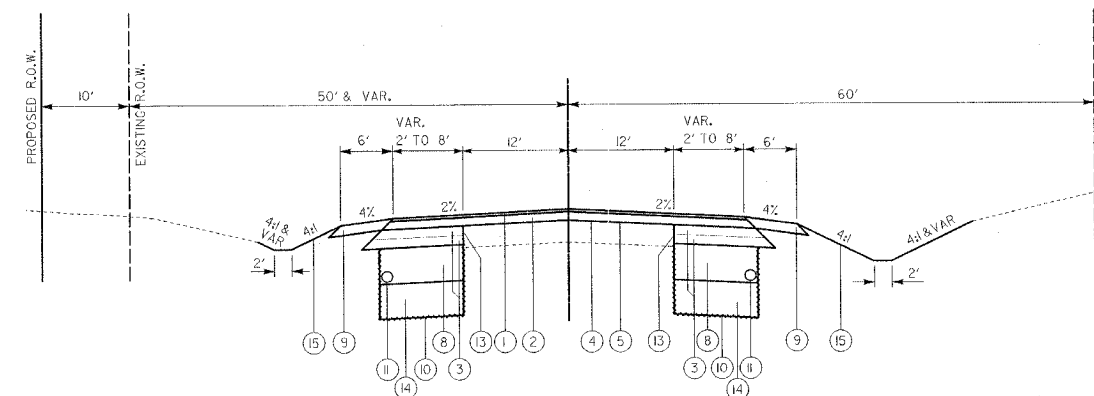


- ① BITUMINOUS CONCRETE SURFACE COURSE, SUPERPAVE, MIX 'D', N70, 1/2"
- ② BITUMINOUS CONCRETE BINDER COURSE, SUPERPAVE, IL-19.0, 2 1/4"
- ③ AGGREGATE BASE COURSE, TYPE A (SPECIAL), 6"
- ④ TOPSOIL FURNISH AND PLACE, 4" SEEDING, CLASS 2A

SCALE: 1" = 2'

APPROVED BY: C. H. REISER
DATE: 02/26/02

TYPICAL SECTION
BITUMINOUS BIKEPATH



PROPOSED TYPICAL SECTION
MIDLOTHIAN ROAD
STA 96+00.00 TO 100+20.00
NOT TO SCALE