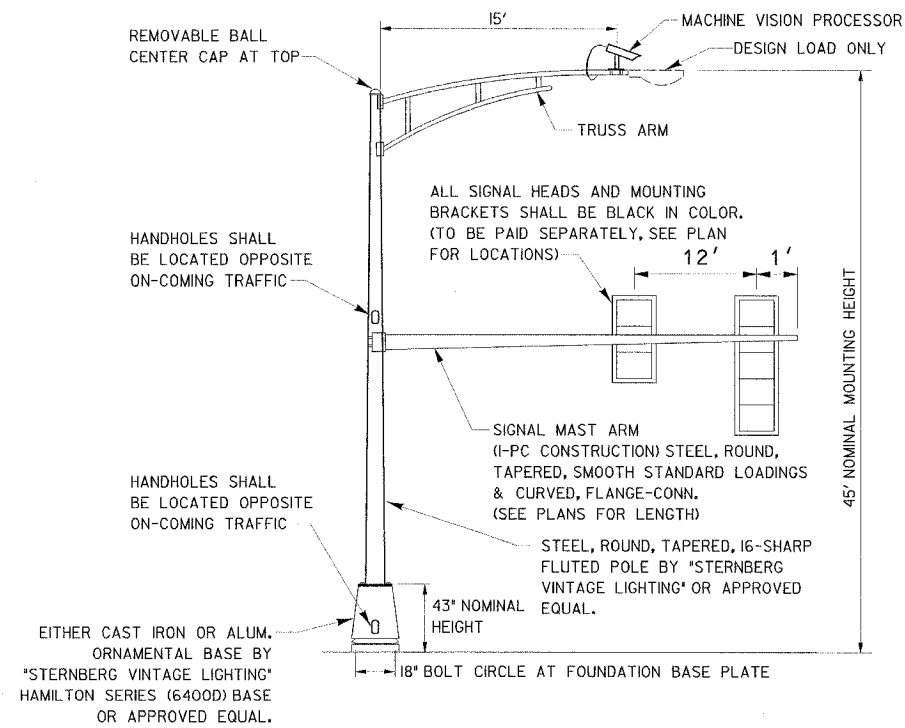
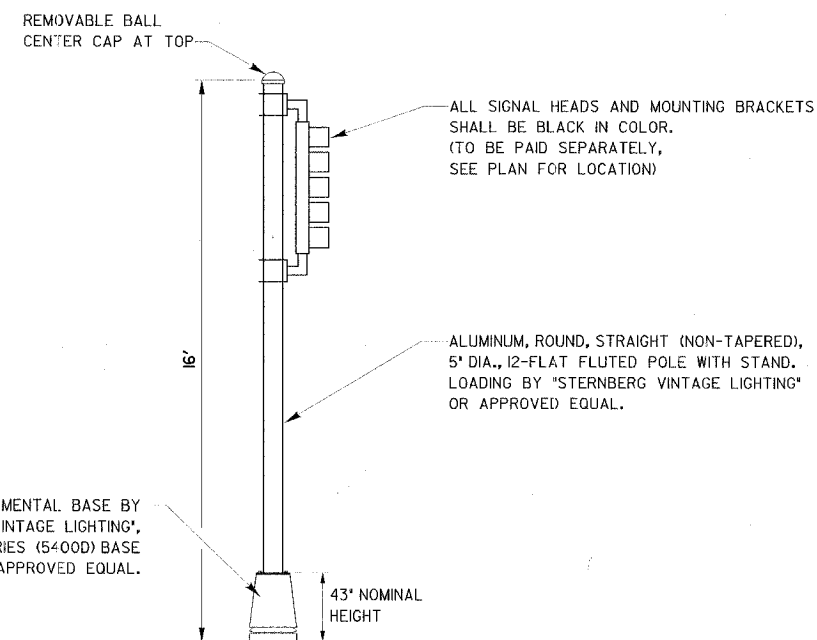


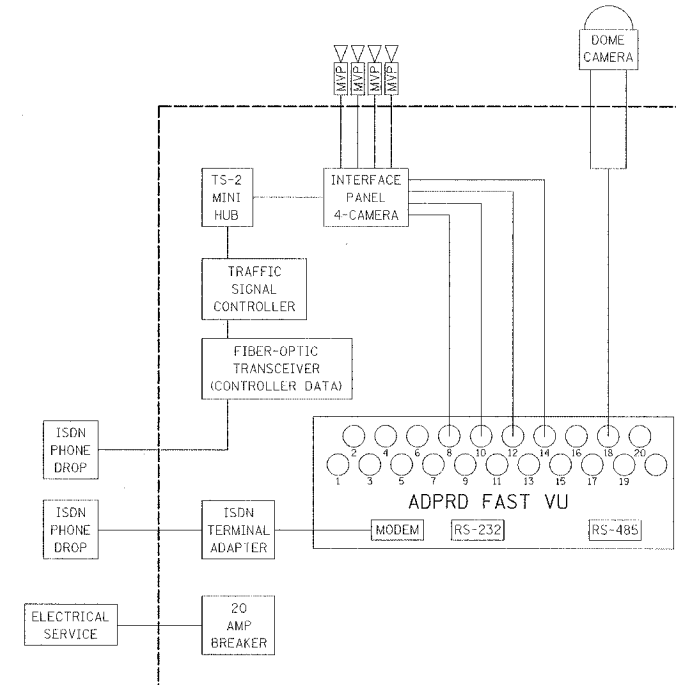
F.A.U. RTE.	SECTION	COUNTY	TOTAL SHEETS	SHEET NO.
2605 1233	02-00170-09-CH	LAKE	66	30
TRAFFIC SIGNAL DESIGN DETAILS				
FED. ROAD DIST. NO. 5 ILLINOIS PROJECT CMM-80031207				
CONTRACT NO. 83837				



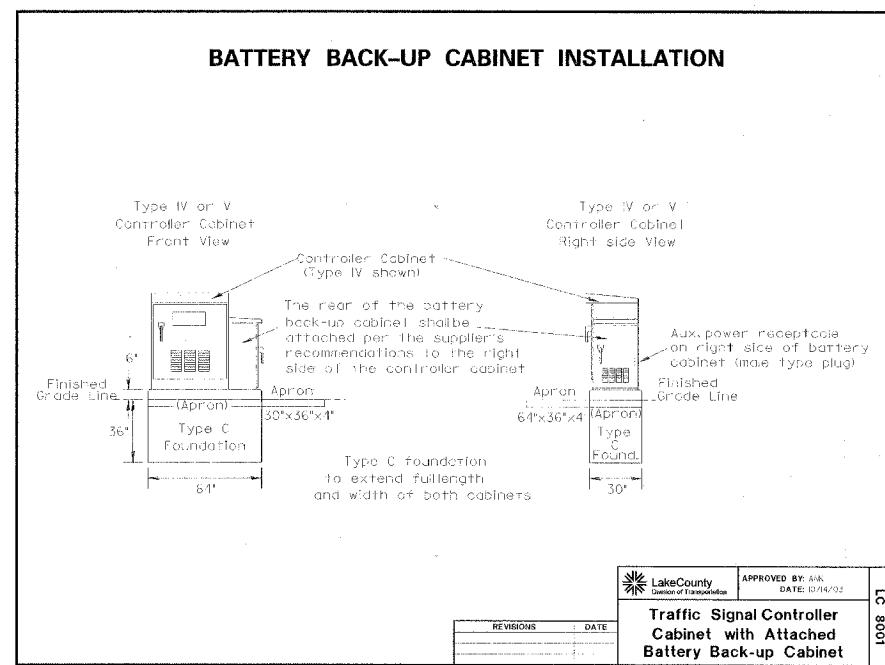
DETAIL
STEEL COMBINATION MAST ARM ASSEMBLY
AND POLE (SPECIAL)
COLOR: BLACK



DETAIL
TRAFFIC SIGNAL POST (SPECIAL)
COLOR: BLACK

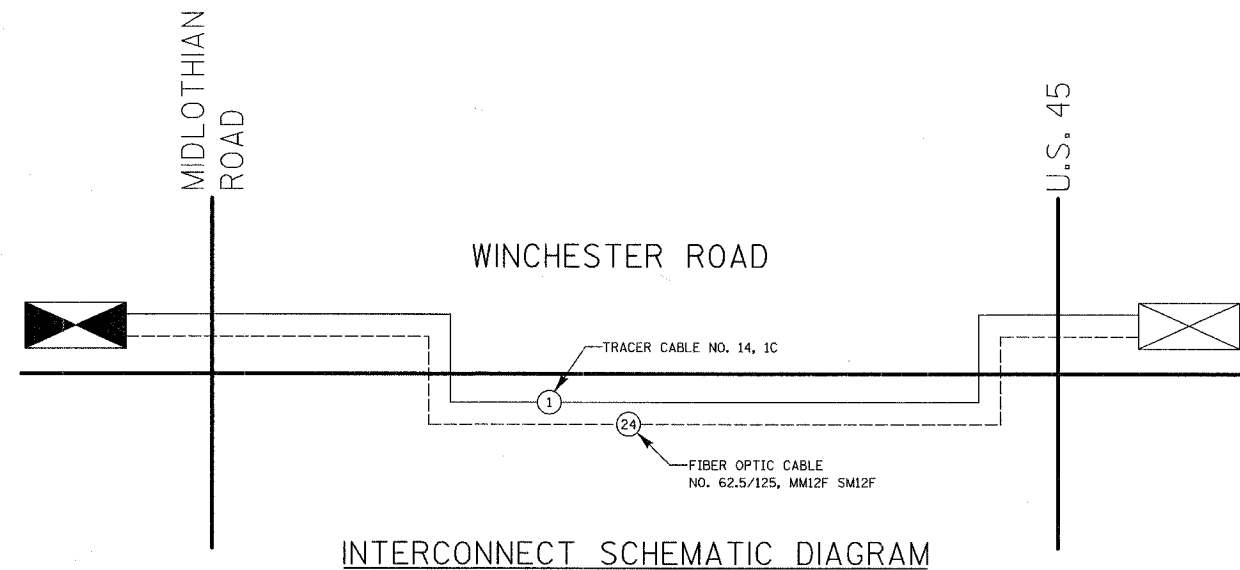


WINCHESTER ROAD
TRAFFIC SIGNAL CABINET
VIDEO SYSTEM SCHEMATIC



REVISIONS		DATE

Lake County
 Division of Transportation
 APPROVED BY: [Signature]
 DATE: 12/16/05
Traffic Signal Controller Cabinet with Attached Battery Back-up Cabinet
 LC 8001



INTERCONNECT SCHEMATIC DIAGRAM

REVISIONS		DATE	TRAFFIC SIGNAL DESIGN DETAILS WINCHESTER RD AT MIDLOTHIAN RD SCALE: NONE DATE: 13-Dec-05 15:20 DRAWN BY: SMS DESIGNED BY: DMH CHECKED BY: MAS